

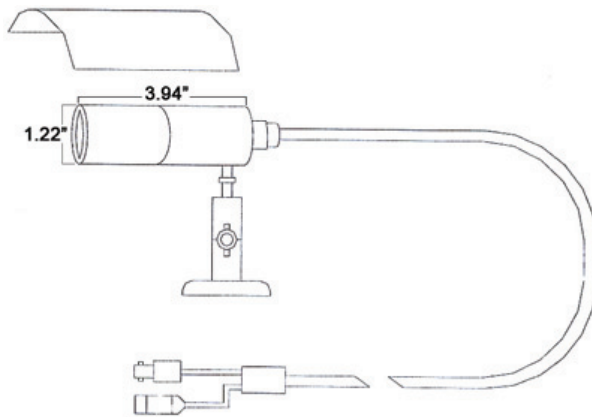


CE-6360

Color Day/Night Bullet Camera

- SONY 1/3" CCD
- 420 TVL Resolution
- 3.6mm Fixed Lens
- Weather Resistant
- IR Sensitive
- DC12V

Dimensions



Specifications

Camera	CE-6360
Image Sensor	1/3 Inch SONY CCD
Resolution	420 TV Lines
Effective Pixels	512 (H) x 492 (V)
Scanning System	2:1 Interlace
S/N Ratio	More than 48dB (AGC Off)
Sync System	Internal
Scanning Frequency	15.734 KHz (H), 59.94 Hz (V)
Minimum Illumination	0.1 Lux / F1.2
Shutter Speed	1/60 ~ 1/100,000 sec.
Lens	3.6mm / F1.2
Video Output	1.0 Vp-p, 75Ω
Power Consumption	Max. 150mA +/- 10%
Power Requirement	DC12V
Operating Temperature	14°F ~ 122°F
Operating Humidity	90% RH Max.
Dimensions	3.94" (L) x 1.22" (Dia.)
Weight	0.33 lbs.

Information in this document is subject to change

Recommended Power Supply

All Clinton Electronics DC12V Power Supplies