

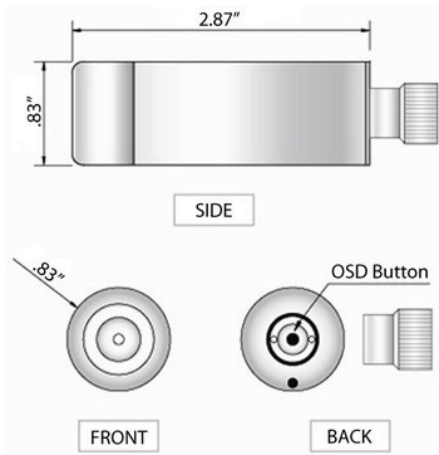


CE-8380

Color Day/Night Bullet Camera

- SONY 1/3" CCD (Super HAD)
- 540 TVL Resolution
- 3.6mm Fixed Lens
- Weather Resistant
- DC12V

Dimensions



Specifications

Camera	CE-8380
Image Sensor	1/3 Inch SONY Super HAD CCD
Resolution	540 TV Lines
Effective Pixels	768 (H) x 494 (V)
Scanning System	2:1 Interlace
S/N Ratio	More than 50dB
Sync System	Internal / Line Lock
Scanning Frequency	15.734 KHz (H), 59.94 Hz (V)
Minimum Illumination	0.1 Lux
Shutter Speed	1/60 ~ 1/100,000 sec.
Lens	3.6mm Fixed
Video Output	1.0 Vp-p, 75Ω
Power Consumption	Max. 120mA (DC12V)
Power Requirement	DC12V
Operating Temperature	14°F ~ 122°F
Operating Humidity	Within 95% RH
Dimensions	2.87" (L) x 0.83" (Dia.)
Weight	0.15 lbs.
OSD Menu	Control with OSD Button Pad
Camera Control & Setup	OSD Buttons
Lens	DC Video
Shutter	Fixed / Manual / FLK
White Balance Control	AWB / Fixed / Manual / ATW
Back Light	ON (Adjustable) / OFF
Gain Control	ON (Adjustable) / OFF
Adjust	Contrast, Sharpness, CB Gain, CR Gain
Special	Camera ID, Day/Night, Mirror, Motion, Privacy, Gamma, Language, Reset

Information in this document is subject to change

Recommended Power Supply

All Clinton Electronics DC12V Power Supplies