

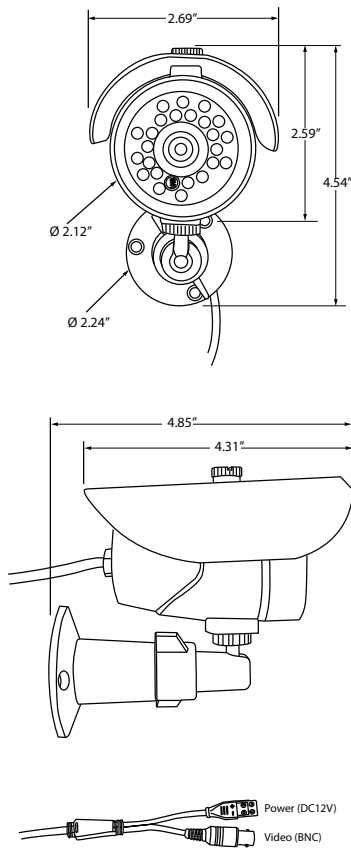


CE-936WIR

Color IR Bullet Camera

- SONY 1/3" CCD
- 420 TVL Color
- 21 IR LEDs
- 3.6mm Fixed Board Lens
- Weather Resistant
- DC12V / AC24V

Dimensions



Specifications

Camera	CE-936WIR
Image Sensor	1/3 Inch SONY Super HAD CCD
Resolution	420 TV Lines
IR LEDs	21 pcs
Effective Pixels	510 (H) x 492 (V)
Scanning System	2:1 Interlace
S/N Ratio	More than 46dB
Sync System	Internal
Scanning Frequency	15.734 KHz (H), 59.94 Hz (V)
Minimum Illumination	0.1 Lux, 0.0002 Lux with IR
Shutter Speed	1/60 ~ 1/100,000 sec.
Lens	3.6mm Fixed Board Lens
Video Output	1.0 Vp-p, 75 Ω
Power Consumption	Max. 200mA (AC12V), Max. 400mA (DC12V)
Power Requirement	DC12V / AC24V
Operating Temperature	-20°F ~ 122°F
Operating Humidity	Within 90% RH
Dimensions	2.69" (D) x 4.54" (H) x 4.85" (L)
Weight	1.10 lbs.

Information in this document is subject to change

Recommended Power Supply
All Clinton Electronics Power Supplies

