

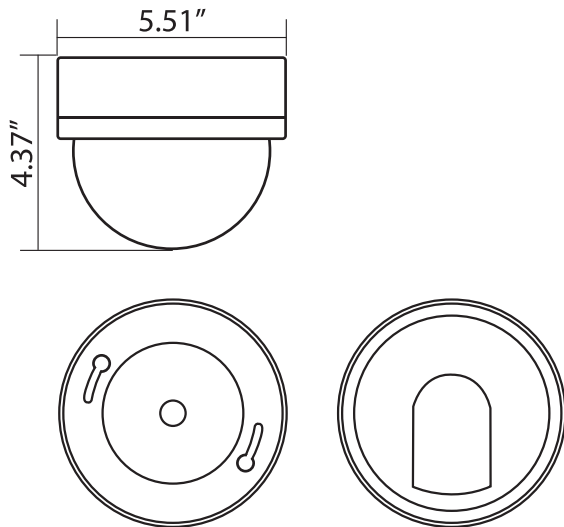


CE-955-CAM

Indoor Day/Night Dome Camera

- SONY 1/3" CCD (Super HAD)
- 600 TVL Resolution
- 2.8 ~ 12mm (F1.2) Lens
- S5 Digital Signal Processor
- Digital Noise Reduction (DNR)
- Sense Up Feature for Optimal Night Image
- Back Light Compensation (BLC)
- OSD Menu Control Built-in Button Pad or CE-REMOTE
- 3-Axis Adjustment
- DC12V / AC24V

Dimensions



Specifications

Camera	CE-955-CAM
Image Sensor	1/3 Inch SONY (Super HAD) CCD
Resolution	600 TV Lines
Effective Pixels	768 (H) x 494 (V)
Scanning System	2:1 Interlace
S/N Ratio	52dB (AGC Off, Weight On)
Sync System	Internal
Scanning Frequency	15.734 KHz (H), 59.94 Hz (V)
Minimum Illumination	0.000006 Lux (Sense-Up *512x)
Shutter Speed	1/60 ~ 1/100,000 sec.
Dynamic Range	62dB (Max.)
Lens	2.8 ~ 12mm (F1.2) w/True D/N Filter
Video Output	1.0 Vp-p, 75Ω
Power Consumption	Max. 250mA (AC24V), Max. 520mA (DC12V)
Power Requirement	DC12V / AC24V
Operating Temperature	32°F ~ 113°F
Operating Humidity	Within 90% RH
Dimensions	5.51" (Dia.) x 4.37" (H)
Weight	1.26 lbs.
OSD Menu	Control with OSD Button Pad
Lens	DC Video
Exposure	Brightness / Shutter / AGC / Sens-Up / Return
White Balance Control	ATW / Manual / AWC-Set / Outdoor / Indoor
Back Light	Off / BLC / HLC
DNR3	Off / On
Day / Night	Auto / Color / B&W / External
Special	Image Adj / Monitor / Cam Title / Sync / Motion / Privacy / Comm Adj / Language / Return
Exit	Save / Not Save / Reset

Information in this document is subject to change

Recommended Power Supply

All Clinton Electronics Power Supplies

Optional Accessories

CE-955-WB Indoor Dome Camera Wall Bracket

CE-REMOTE

- Plugs directly into Camera
- Adjusts OSD Functions
- Test Monitor Connection

