

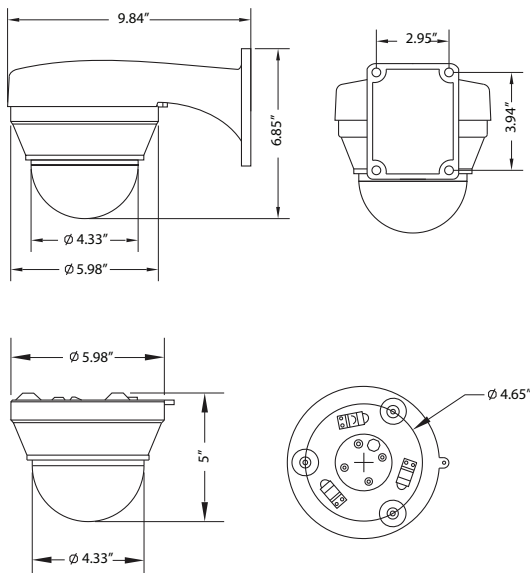


Features

- 1/4" SONY EX-View CCD
- 470 / 540 TVL (High Resolution Mode)
- High-Speed Precision PTZ
- High Sensitivity in Low Light Environment
- Fast Auto Focus
- Compact Size
- Fan with Thermal Control
- OSD for Configuration Setup (Dip-switch free setup)
- Path Memory Function
- Privacy Masking
- 128 Presets
- 4.2 ~ 42mm Lens
- 10x Optical Zoom
- 12x Digital Zoom
- 360° Horizontal
- 0-90° Vertical
- RS485 Communication
- DC12V / AC24V
- Wall Bracket & AC24V Power Supply Included



Dimensions



CE-PTZ10x

Specifications

Camera	CE-PTZ10x
Image Sensor	1/4 Inch SONY Ex-View CCD
Resolution	470 / 540 TV Lines (High Resolution Mode)
Effective Pixels	Approx. 380,000 Pixels
Sync System	Internal / External (V-Lock)
Scanning System	Progressive
S/N Ratio	More than 50dB
Minimum Illumination	1.5 Lux (Typical) (F1.8, 50 IRE)
Shutter Speed	1/1 ~ 1/10,000 sec.
Lens	4.2 ~ 42mm (10x Optical Zoom, F1.8 to F2.9)
Digital Zoom	12x (120x with Optical Zoom)
White Balance	Auto, ATW, Indoor, Outdoor, One-Push, Manual
Gain Control	Auto / Manual (-3 to 28dB, 2dB Steps)
AE Control	Auto, Manual, Priority Mode, Bright, Slow AE, EV Compensation, Back Light Compensation
Back Light Compensation	On / Off
Privacy Zone Masking	On / Off (24 Positions, 8 Positions per Screen)
Picture Effects	E-Flip, Nega Art, Black & White, Mirror Image
Video Output	1.0 Vp-p, 75Ω
Functions	
Presets	128 Presets
Tours	4 Preset Tour Sequences with 32 Presets each
Patterns	4 Self-Learning Pattern Sequences
Scans	1 Scan Sequence
On Screen Display (OSD)	OSD for Configuration Setup
Interface	RS485
Protocols	Built-in Protocols: CLINTON, Pelco-D, Pelco-P
Buadrate (RS485 / RS422)	2400/4800/9600/19200bps Soft Select
Temperature Indicator	Intelligent Thermal-Control
Idle Protection	User Definable Action
Construction	
Case Construction	Aluminum-Alloy Housing
Mechanisms	High Precision Aluminum Construction
Operation	Designed for 24/7 Operation
Pan Rotation Range	360° Continuous
Tilt View Range	0-90° with Auto-Flip
Pan Speed	0.5° - 160°/sec.
Tilt Speed	0.5° - 90°/sec.
Unit as a Whole	
Power Consumption	750mA (DC12V) / 300mA (AC24V)
Power Requirement	DC12V / AC24V
Operating Temperature	14° F ~ 104° F
Operating Humidity	0-95% (No Condensation)
Weather Rating	IP 66
Dimensions	Without Wall Bracket: 5.98" (Dia.) x 5.0" (H) With Wall Bracket: 9.84" (L) x 6.85" (H)
Weight	Camera: 2.5 lbs. Wall Bracket: 2.13 lbs. Camera & Wall Bracket: 4.63 lbs.

Information in this document is subject to change