

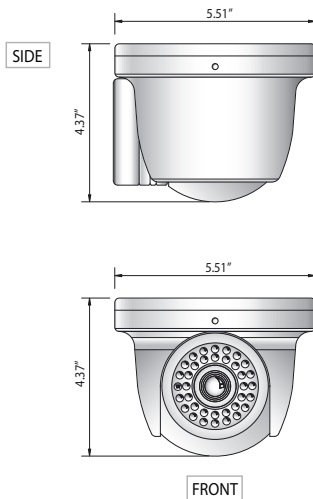


## CE-T909

### IR Turret Camera

- SONY 1/3" CCD (Super HAD)
- 580 TVL Resolution
- 42 IR LEDs
- 3.5 ~ 16mm (F1.2) Lens (Externally Adjustable)
- Cable Through Bracket Design
- S4 Digital Signal Processor
- Digital Noise Reduction (DNR)
- Sense Up Feature for Optimal Night Image
- Digital Image Stabilization (DIS)
- Back Light Compensation (BLC)
- High Light Compensation (HLC)
- OSD Menu Control via CE-REMOTE
- Weather Resistant
- Mounting Plate
- DC12V / AC24V

### Dimensions



### Specifications

Camera	CE-T909
<b>Image Sensor</b>	1/3 Inch SONY Super HAD CCD
<b>Resolution</b>	580 TV Lines
<b>IR LEDs</b>	42 pcs
<b>Effective Pixels</b>	768 (H) x 494 (V)
<b>Scanning System</b>	2:1 Interlace
<b>S/N Ratio</b>	52dB (AGC Off, Weight ON)
<b>Sync System</b>	Internal / Line Lock
<b>Scanning Frequency</b>	15.734 KHz (H), 59.94 Hz (V)
<b>Minimum Illumination</b>	0.15 Lux / F1.2 (Color), 0.001 Lux w/Sense-Up at 256x
<b>Shutter Speed</b>	1/60 ~ 1/100,000 sec.
<b>Dynamic Range</b>	62dB (Max.)
<b>Lens</b>	3.5 ~ 16mm F1.2 (Externally Adjustable)
<b>Video Output</b>	1.0 Vp-p, 75Ω
<b>Power Consumption w/IR LEDs On</b>	Max. 360mA (AC24V), Max. 520mA (DC12V)
<b>Power Requirement</b>	DC12V / AC24V
<b>Operating Temperature</b>	-20°F ~ 122°F
<b>Dimensions</b>	5.51" (W) x 4.37" (H)
<b>Weight</b>	2.8 lbs.
<b>OSD Menu</b>	<b>Control with CE-REMOTE</b>
<b>Lens</b>	DC Video
<b>Exposure</b>	Shutter, AGC, Sens-Up
<b>White Balance Control</b>	ATW, Manual, AWC Set, Outdoor, Indoor
<b>Back Light</b>	OFF / BLC / HLC
<b>DNR</b>	ON / OFF
<b>Day/Night</b>	Color / B&W / Auto / Extern
<b>Image Adjustment</b>	Freeze, V-Rev, H-Rev, D-Zoom, Sharpness
<b>Special</b>	Camera ID, Sync, Motion Detect, Privacy, DIS, Comm. Adj., Language, Reset

Information in this document is subject to change

#### Recommended Power Supply

CE-T12VDC1000	1 Camera 1000mA DC12V
CE-T24VAC800	1 Camera 20 watt AC24V
CE-T24VAC2000	1 Camera 50 watt AC24V

All Clinton Multi Camera Power Supplies

#### Optional Accessories

- CE-REMOTE
- Plugs directly into Camera
  - Adjusts OSD Functions
  - Test Monitor Connection

