

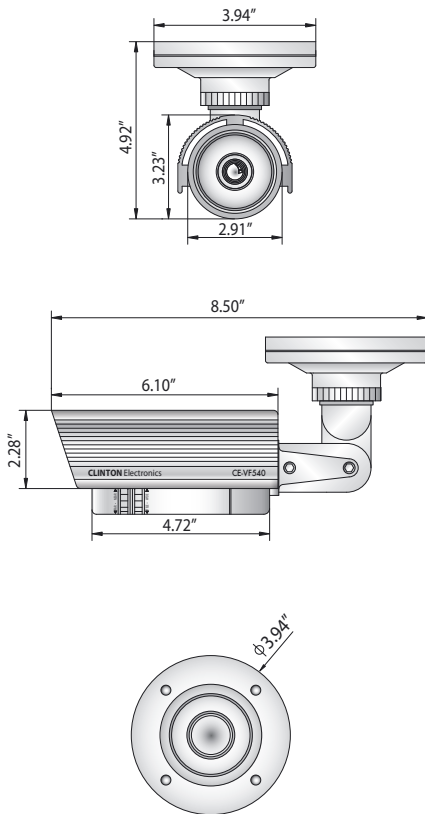


## CE-VF540

### Outdoor Bullet Camera

- SONY 1/3" CCD (Super HAD)
- 600 TVL Resolution
- Built In Heaters
- 2.8 ~ 12mm (F1.2) Lens (Externally Adjustable)
- Cable Through Bracket Design
- S5 Digital Signal Processor
- Digital Noise Reduction (DNR)
- Sense Up Feature for Optimal Night Image
- OSD Menu Control via CE-REMOTE
- Weather Resistant
- Mounting Plate
- DC12V / AC24V

### Dimensions



### Specifications

Camera	CE-VF540
<b>Image Sensor</b>	1/3 Inch SONY (Super HAD) CCD
<b>Resolution</b>	600 TV Lines
<b>Effective Pixels</b>	768 (H) x 494 (V)
<b>Scanning System</b>	2:1 Interlace
<b>S/N Ratio</b>	50dB (AGC Off)
<b>Sync System</b>	Internal / Line Lock
<b>Scanning Frequency</b>	15.734 KHz (H), 59.94 Hz (V)
<b>Minimum Illumination</b>	0.3 Lux / F1.2 (Color), 0.1 Lux / F1.2 (B&W)
<b>Shutter Speed</b>	1/60 ~ 1/100,000 sec.
<b>Dynamic Range</b>	62dB (Max.)
<b>Lens</b>	2.8 ~ 12mm (F1.2) (Externally Adjustable)
<b>Video Output</b>	1.0 Vp-p, 75 $\Omega$
<b>Power Consumption</b>	Max. 140mA (AC24V), Max. 300mA (DC12V)
<b>Power Requirement</b>	DC12V / AC24V
<b>Operating Temperature</b>	-20°F ~ 122°F
<b>Operating Humidity</b>	Within 90% RH
<b>Dimensions</b>	8.50" (L) x 4.92" (H)
<b>Weight</b>	3.13 lbs.
<b>OSD Menu</b>	Control w/OSD Button Pad or CE-REMOTE
<b>Lens</b>	DC Video
<b>Exposure</b>	Brightness / Shutter / AGC / Sens-Up / Return
<b>White Balance Control</b>	ATW / Outdoor / Indoor / Manual / AWC->SET
<b>SSDR</b>	Off / On
<b>Backlight</b>	Off / BLC / HLC
<b>Digital Noise Reduction</b>	Off / On
<b>Day / Night</b>	Auto / Color / B&W / External
<b>Special</b>	Image Adj / Monitor / Cam Title / Sync / Motion / Privacy / Comm Adj / Language / Return

Information in this document is subject to change

#### Recommended Power Supply

All Clinton Electronics Power Supplies

#### Optional Accessories

CE-REMOTE

- Plugs directly into Camera
- Adjusts OSD Functions
- Test Monitor Connection

