

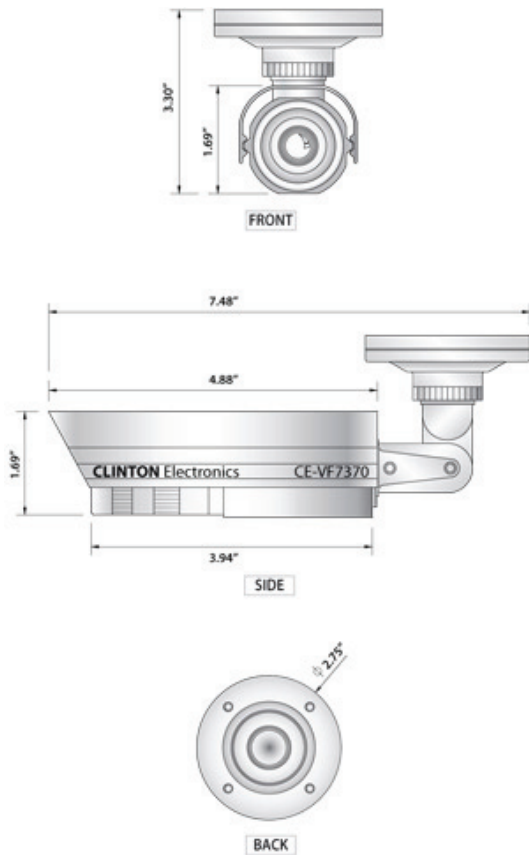


## CE-VF7370

### Color Day/Night Bullet Camera

- SONY 1/3" CCD (Super HAD)
- 540 TVL Resolution
- 4 ~ 9mm Lens (Externally Adjustable)
- Weather Resistant
- DC12V

### Dimensions



### Specifications

Camera	CE-VF7370
<b>Image Sensor</b>	1/3 Inch SONY Super HAD CCD
<b>Resolution</b>	540 TV Lines
<b>Effective Pixels</b>	768 (H) x 494 (V)
<b>Scanning System</b>	2:1 Interlace
<b>S/N Ratio</b>	More than 46dB
<b>Sync System</b>	Internal / Line Lock
<b>Scanning Frequency</b>	15.734 KHz (H), 59.94 Hz (V)
<b>Minimum Illumination</b>	0.1 Lux
<b>Shutter Speed</b>	1/60 ~ 1/100,000 sec.
<b>Lens</b>	4 ~ 9mm (Externally Adjustable)
<b>Video Output</b>	1.0 Vp-p, 75 $\Omega$
<b>Power Consumption</b>	Max. 120mA (DC12V)
<b>Power Requirement</b>	DC12V
<b>Operating Temperature</b>	-20°F ~ 122°F
<b>Operating Humidity</b>	Within 90% RH
<b>Dimensions</b>	7.48" (L) x 3.30" (H)
<b>Weight</b>	1.21 lbs.

Information in this document is subject to change

### Recommended Power Supply

All Clinton Electronics DC12V Power Supplies