

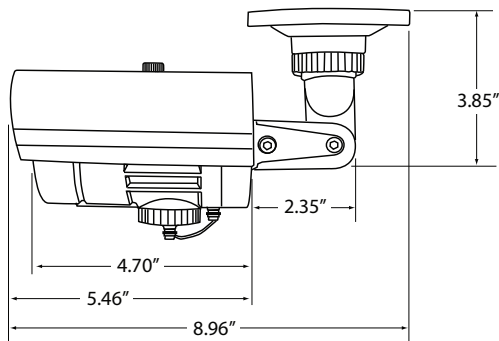
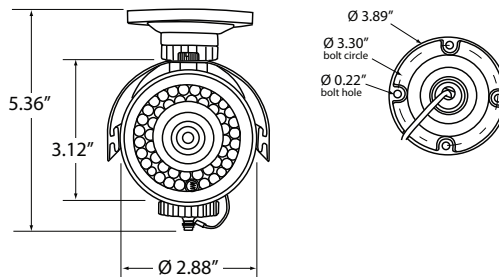


CE-VF775IR

IR Bullet Camera

- SONY 1/3" CCD (Super HAD)
- 600 TVL Resolution
- 33 IR LEDs (IR LED Level Adjustment Potentiometer)
- 2.8 ~ 12mm (F1.2) Lens (Externally Adjustable)
- Cable Through Bracket Design
- S5 Digital Signal Processor
- Digital Noise Reduction (DNR)
- Sense Up Feature for Optimal Night Image
- OSD Menu Control via CE-REMOTE
- Weather Resistant
- Mounting Plate
- DC12V / AC24V

Dimensions



Specifications

Camera	CE-VF775IR
Image Sensor	1/3 Inch SONY (Super HAD) CCD
Resolution	600 TV Lines
IR LEDs	33 pcs
Effective Pixels	768 (H) x 494 (V)
Scanning System	2:1 Interlace
S/N Ratio	52dB (AGC Off, Weight On)
Sync System	Internal
Scanning Frequency	15.734 KHz (H), 59.94 Hz (V)
Minimum Illumination	0.000006 Lux (Sense-Up *512x & IR LEDs On)
Shutter Speed	1/60 ~ 1/100,000 sec.
Dynamic Range	62dB (Max.)
Lens	2.8 ~ 12mm / F1.2 w/True D/N Filter
Video Output	1.0 Vp-p, 75Ω
Power Consumption	Max. 260mA (AC24V), Max. 750mA (DC12V)
Power Requirement	DC12V / AC24V Dual Power
Operating Temperature	-20°F ~ 122°F
Dimensions	8.96" (L) x 5.36" (H) x 2.88" (W)
Weight	3.2 lbs.
OSD Menu	Control with CE-REMOTE
Lens	DC Video
Exposure	Brightness / Shutter / AGC / Sens-Up / Return
White Balance Control	ATW / Manual / AWC-Set / Outdoor / Indoor
SSDR	Off / On
Back Light	Off / BLC / HLC
DNR3	Off / On
Day / Night	Auto / Color / B&W / External
Special	Image Adj / Monitor / Cam Title / Sync / Motion / Privacy / Comm Adj / Language / Return
Exit	Save / Not Save / Reset

Information in this document is subject to change

Recommended Power Supply

CE-T12VDC1000	1 Camera 1000mA DC12V
CE-T24VAC800	1 Camera 20 watt AC24V
CE-T24VAC2000	1 Camera 50 watt AC24V

All Clinton Multi Camera Power Supplies

Optional Accessories

CE-REMOTE

- Plugs directly into Camera
- Adjusts OSD Functions
- Test Monitor Connection

