

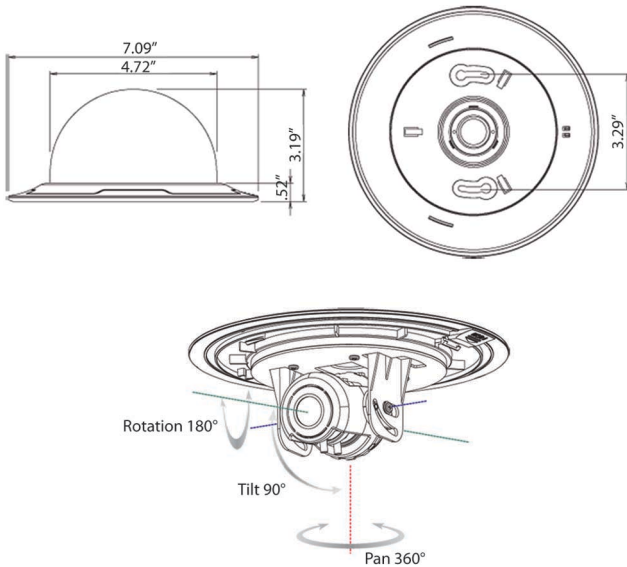


CE-VFCD918-WD

Color Indoor Wide Dynamic Slim Dome Camera

- PIXIM 1/3" C-MOS
- 540 TVL Resolution
- Minimum Illumination: 0.1 Lux (Slow Shutter Mode)
- 3.3 ~ 12mm Lens (F1.4)
- 120dB Maximum Wide Dynamic Range
- Application Presets
- Digital Pixel System® (DPS)
- Slim Case Design (Recess Mount Styling)
- DC12V / AC24V

Dimensions



This Camera Features:

**DIGITAL
PIXEL[®]
SYSTEM**
FROM PIXIM

Recommended Power Supply

All Clinton Electronics DC12V Power Supplies

Specifications

Camera	CE-VFCD918-WD
Image Sensor	1/3 Inch C-MOS
Resolution	540 TV Lines (High Resolution Mode)
Effective Pixels	720 (H) x 540 (V)
Scanning System	525 Lines, Interlace
S/N Ratio	More than 48dB (AGC Off)
Sync System	Internal (12VDC) / Line-lock (24VAC)
Scanning Frequency	15.734 KHz (H), 59.94 Hz (V)
Minimum Illumination	0.1 Lux (Slow Shutter Mode)
Shutter Speed	1/60 ~ 1/100,000 sec.
Dynamic Range	120dB (Max.), 101dB (Typical)
Lens	3.3 ~ 12mm Vari-Focal / F1.4
Video Output	1.0 ~ 1.2 Vp-p, 75Ω
Power Consumption	Max. 110mA (AC24V), Max. 200mA (DC12V)
Power Requirement	DC12V / AC24V (DV9V ~ 20V) / (AC10V ~ 30V)
Operating Temperature	32°F ~ 113°F
Operating Humidity	Within 90% RH
Dimensions	7.09" (Dia.) x 3.19" (H)
Weight	0.88 lbs.
OSD Menu	Control with OSD Joystick
Camera Control & Setup	OSD Joystick
Presets	Normal / Indoor / Outdoor / Custom
Lens	DC (Set BIAS and Limit)
White Balance Control	ATW / AWC Des / Manual
Gain Control	Off / Low / Middle / High
Special	Camera ID, Mirror, Backlight (BL Zone 1), Resolution, Advanced (Video Standard, Sync, Sharpness, Aperture), Save / Restore

Information in this document is subject to change

