

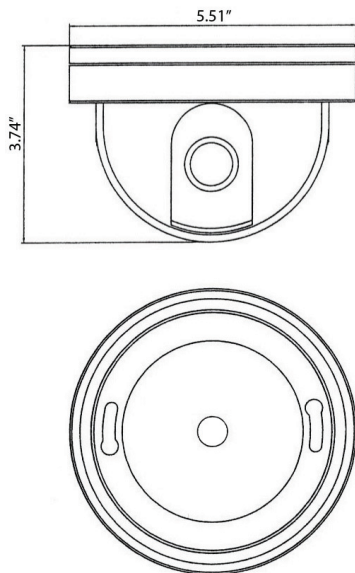


## CE-VFCD954

### Indoor Day/Night Dome Camera

- SONY 1/3" CCD (Super HAD)
- 540 TVL Resolution
- 2.8 ~ 10.5mm (F1.2) TAMRON Lens
- Nx2 Digital Signal Processor
- Digital Noise Reduction (DNR)
- Sense Up Feature for Optimal Night Image
- Digital Wide Dynamic Range (D-WDR)
- High Light Compensation (HLC)
- OSD Menu Control via Built-in Joystick
- 3-Axis Adjustment
- DC12V / AC24V

### Dimensions



### Specifications

Camera	CE-VFCD954
<b>Image Sensor</b>	1/3 Inch SONY (Super HAD) CCD
<b>Resolution</b>	540 TV Lines
<b>Effective Pixels</b>	768 (H) x 494 (V)
<b>Scanning System</b>	2:1 Interlace
<b>S/N Ratio</b>	52dB
<b>Sync System</b>	Internal
<b>Scanning Frequency</b>	15.734 KHz (H), 59.94 Hz (V)
<b>Minimum Illumination</b>	0.00001 Lux / F1.2 Sens-Up x258)
<b>Shutter Speed</b>	1/60 ~ 1/100,000 sec.
<b>Dynamic Range</b>	52dB (Max.)
<b>Lens</b>	2.8 ~ 10.5mm (F1.2) TAMRON Lens
<b>Video Output</b>	1.0 Vp-p, 75Ω
<b>Power Consumption</b>	Max. 150mA (AC24V), Max. 310mA (DC12V)
<b>Power Requirement</b>	DC12V / AC24V
<b>Operating Temperature</b>	32°F ~ 113°F
<b>Dimensions</b>	5.51" (Dia.) x 3.74" (H)
<b>Weight</b>	3.30 lbs.
OSD Menu	Control with OSD Joystick
<b>Lens</b>	DC
<b>Shutter</b>	FLK
<b>White Balance Control</b>	ATW / AWC / Manual / AWC
<b>Back Light</b>	Off / Low / Middle / High
<b>Gain Control</b>	Off / Low / Middle / High
<b>3DNR</b>	On / Off
<b>D-WDR</b>	Off / Indoor / Outdoor
<b>Day / Night</b>	Auto / B&W / Color / Ext
<b>Sens-Up</b>	Off / Auto(x2 ~ x258)
<b>Special</b>	Camera Title, D-Effect, Motion, Privacy, Sharpness, Sync, Color, Reset, Return

Information in this document is subject to change

**Recommended Power Supply**  
All Clinton Electronics Power Supplies

