

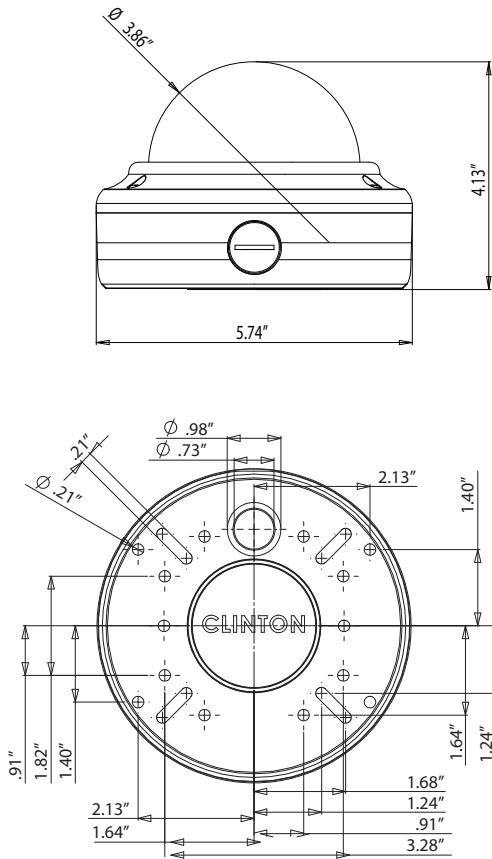


CE-VX10

Vandal X Dome Camera

- SONY 1/3" CCD (Super HAD)
- 420 TVL Resolution
- 4 ~ 9mm Lens
- 3-Axis Adjustment
- DC12V / AC24V

Dimensions



Specifications

Camera	CE-VX10
Image Sensor	1/3 Inch SONY (Super HAD) Color CCD
Resolution	420 TV Lines
Effective Pixels	512 (H) x 492 (V)
Scanning System	525 Lines, 2:1 Interlace
S/N Ratio	More than 48dB
Sync System	Internal
Minimum Illumination	1.0 Lux
Shutter Speed	1/60 ~ 1/100,000 sec.
Lens	4 ~ 9mm
Video Output	1.0 Vp-p, 75 Ω
Power Consumption	Max. 110mA (AC24V), Max. 220mA (DC12V)
Power Requirement	DC12V / AC24V
Operating Temperature	-20°F ~ 122°F
Weather Rating	IP 68
Dimensions	5.74" (Dia.) x 4.13" (H)
Weight	2.75 lbs.

Information in this document is subject to change

Recommended Power Supply

All Clinton Electronics Power Supplies

Optional Accessories

- CE-VXWB Wall Mount Bracket
- CE-VXRB Black Rubber Vandal X Dome Cover
- CE-VXRW White Rubber Vandal X Dome Cover

CE-REMOTE

- Plugs directly into Camera
- Adjusts OSD Functions
- Test Monitor Connection

