

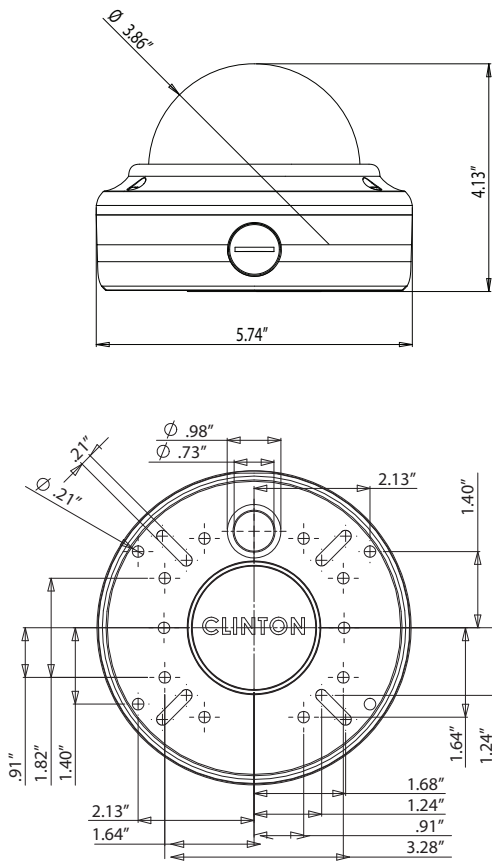


CE-VX20

Vandal X Day/Night Dome Camera

- SONY 1/3" CCD (Super HAD)
- 540 TVL Resolution
- 2.8 ~ 10.5mm (F1.2) Tamron Lens
- NX2 Digital Signal Processor
- Digital Noise Reduction (DNR)
- Sense Up Feature for Optimal Night Image
- Back Light Compensation (BLC)
- Digital Wide Dynamic Range (D-WDR)
- OSD Menu Control (Built-in Joystick or CE-REMOTE)
- 3-Axis Adjustment
- DC12V / AC24V

Dimensions



Recommended Power Supply

All Clinton Electronics Power Supplies

Optional Accessories

- CE-VXWB Wall Mount Bracket
- CE-VXRB Black Rubber Vandal X Dome Cover
- CE-VXRW White Rubber Vandal X Dome Cover
- CE-REMOTE
 - Plugs directly into Camera
 - Adjusts OSD Functions
 - Test Monitor Connection

Specifications

Camera	CE-VX20
Image Sensor	1/3 Inch SONY (Super HAD) CCD
Resolution	540 TV Lines
Effective Pixels	768 (H) x 494 (V)
Scanning System	2:1 Interlace
S/N Ratio	52dB
Sync System	Internal
Scanning Frequency	15.734 KHz (H), 59.94 Hz (V)
Minimum Illumination	0.00001 Lux / F1.1 (Sens-Up x258)
Shutter Speed	1/60 ~ 1/100,000 sec.
Dynamic Range	52dB (Max.)
Lens	2.8 ~ 10.5mm (F1.2) Tamron Lens
Video Output	1.0 Vp-p, 75Ω
Power Consumption	Max. 110mA (AC24V), Max. 220mA (DC12V)
Power Requirement	DC12V / AC24V
Operating Temperature	-20°F ~ 122°F
Weather Rating	IP 68
Dimensions	5.74" (Dia.) x 4.13" (H)
Weight	2.75 lbs.
OSD Menu	Control with OSD Joystick or CE-REMOTE
Lens	DC
Shutter	FLK
White Balance Control	ATW / AWC / Manual / AWC
Back Light	Off / Low / Middle / High
Gain Control	Off / Low / Middle / High
3DNR	On / Off
D-WDR	Off / Indoor / Outdoor
Day / Night	Auto / B&W / Color / Ext
Sens-Up	Off / Auto(x2 ~ x258)
Special	Camera Title, D-Effect, Motion, Privacy, Sharpness, Sync, Color, Reset, Return

Information in this document is subject to change

