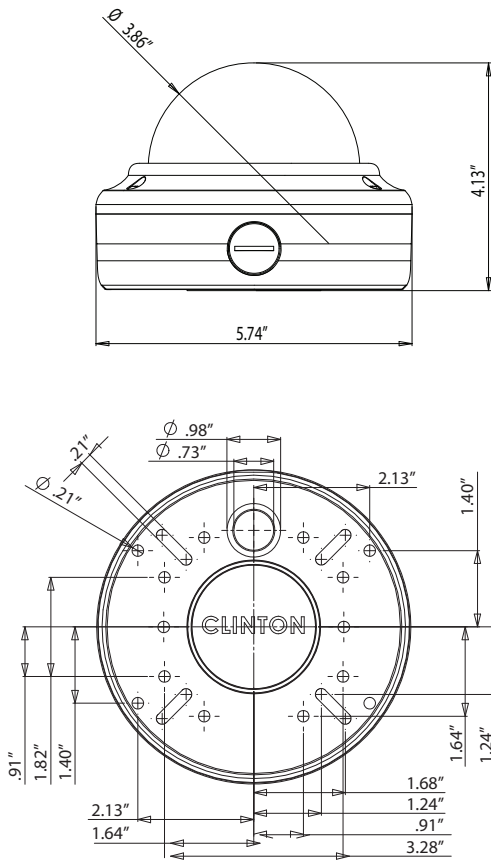




## Dimensions



### Recommended Power Supply

All Clinton Electronics Power Supplies

### Optional Accessories

- CE-VXWB Wall Mount Bracket
- CE-VXRB Black Rubber Vandal X Dome Cover
- CE-VXRW White Rubber Vandal X Dome Cover
- CE-REMOTE
  - Plugs directly into Camera
  - Adjusts OSD Functions
  - Test Monitor Connection

## CE-VX40

### Vandal X True Day/Night Dome Camera

- SONY 1/3" CCD (Super HAD)
- 580 TVL Resolution
- 2.8 ~ 10.5mm (F1.2) Lens w/ True D/N Cut Filter
- S4 Digital Signal Processor
- Digital Noise Reduction (DNR)
- Sense Up Feature for Optimal Night Image
- Digital Image Stabilization (DIS)
- Back Light Compensation (BLC)
- High Light Compensation (HLC)
- OSD Menu Control (Built-in Joystick or CE-REMOTE)
- 3-Axis Adjustment
- DC12V / AC24V

## Specifications

Camera	CE-VX40
<b>Image Sensor</b>	1/3 Inch SONY (Super HAD) CCD
<b>Resolution</b>	580 TV Lines
<b>Effective Pixels</b>	768 (H) x 494 (V)
<b>Scanning System</b>	2:1 Interlace
<b>S/N Ratio</b>	52dB (AGC Off, Weight ON)
<b>Sync System</b>	Internal / Line Lock
<b>Scanning Frequency</b>	15.734 KHz (H), 59.94 Hz (V)
<b>Minimum Illumination</b>	0.15 Lux / F1.2 (Color), 0.001 Lux w/Sense-Up at x256
<b>Shutter Speed</b>	1/60 ~ 1/100,000 sec.
<b>Dynamic Range</b>	62dB (Max.)
<b>Lens</b>	2.8 ~ 10.5mm (F1.2) w/True D/N Filter
<b>Video Output</b>	1.0 Vp-p, 75Ω
<b>Power Consumption</b>	Max. 110mA (AC24V), Max. 220mA (DC12V)
<b>Power Requirement</b>	DC12V / AC24V
<b>Operating Temperature</b>	-20°F ~ 122°F
<b>Weather Rating</b>	IP 68
<b>Dimensions</b>	5.74" (Dia.) x 4.13" (H)
<b>Weight</b>	2.75 lbs.
<b>OSD Menu</b>	<b>Control with OSD Joystick or CE-REMOTE</b>
<b>Lens</b>	DC Video
<b>Exposure</b>	Shutter, AGC, Sens-Up
<b>White Balance Control</b>	ATW, Manual, AWC Set, Outdoor, Indoor
<b>Back Light</b>	OFF / BLC / HLC
<b>Digital Noise Reduction</b>	ON / OFF
<b>Day/Night</b>	Color / B&W / Auto / Extern
<b>Image Adjustment</b>	Freeze, V-Rev, H-Rev, D-Zoom, Sharpness
<b>Special</b>	Camera ID, Sync, Motion Detect, Privacy, DIS, Comm. Adj., Language, Reset

Information in this document is subject to change

