

CC Series Install Guide

For HD Analog Box Cameras

Included Items:

- HD Analog Box Camera x 1
- Instructions x 1

Required Items:

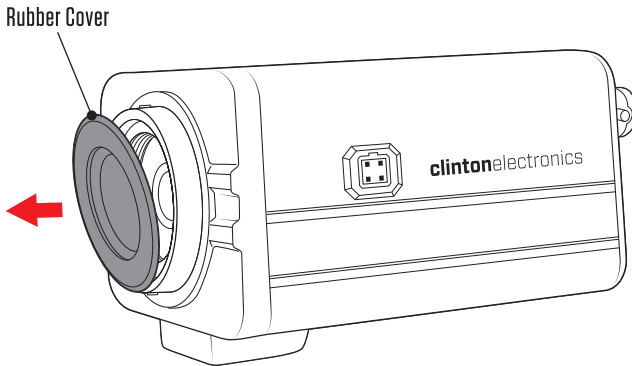
- CS-Mount Lens
- DC12V or AC24V Power Supply
- Box Camera Mounting Bracket

Optional Items:

- CE-REMOTE (OSD Remote Control)
- Test Monitor

1. REMOVE COVER

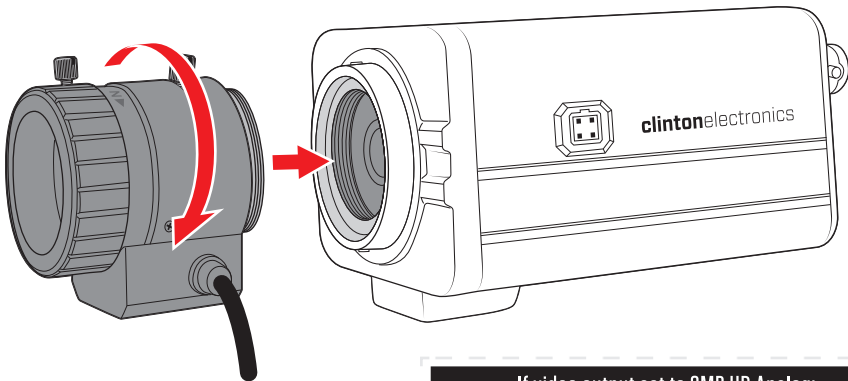
Remove the protective rubber cover from the camera front in preparation for lens installation. Take care not to touch the image sensor when the cover is removed.



2. ATTACH LENS (CS-Mount Lens Not Included — Sold Separately)

Remove the protective caps from the lens. Screw the desired CS-Mount lens clockwise into camera body.

If using a C-Mount lens: The use of a C-Mount lens adapter between the lens and the camera body is required. Failure to use the C-Mount Lens Adapter when using a C-Mount lens could result in damaging the camera sensor.



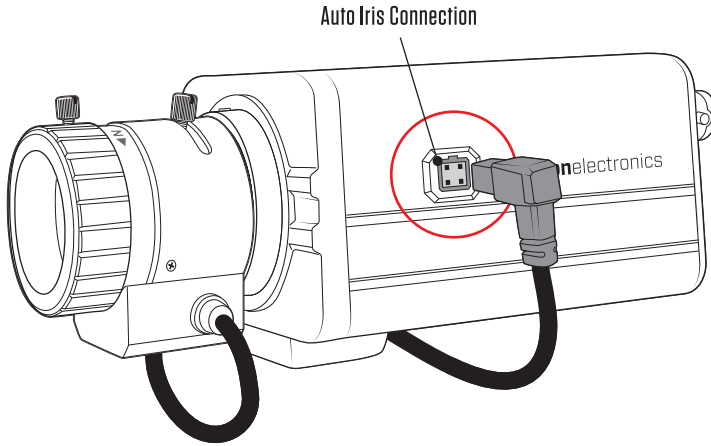
If video output set to 2MP HD Analog:

For best results a 2MP-3MP resolution lens is suggested. Lower resolution lenses might not provide the best image quality for HD Analog video.

**Lens sold separately. Lens shown may vary from actual mounting lens used.*

3. CONNECT AUTO IRIS

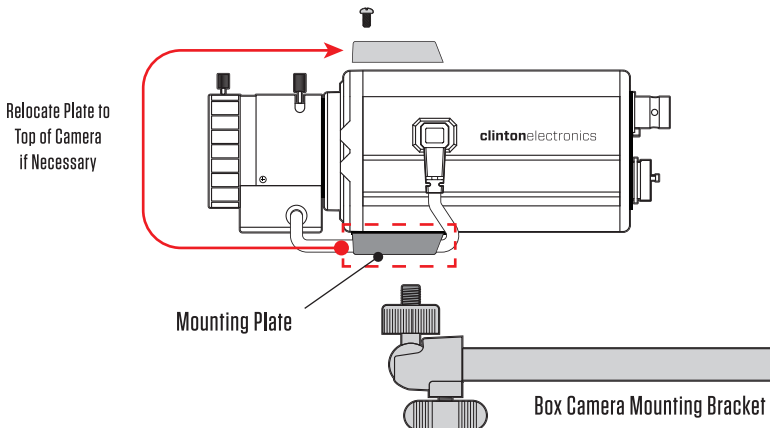
Insert the auto iris connection plug into the auto iris jack located on the side of the camera body.



4. MOUNT CAMERA TO BRACKET

Thread 1/4"-20 bolt from mounting bracket into the threaded hole on the mounting plate on the camera housing.

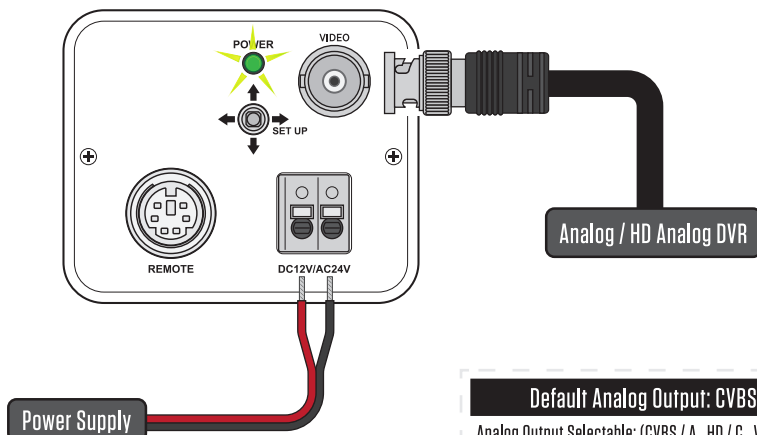
If necessary the mounting plate can be relocated to the top of the camera. Remove the 2 pan head screws from the mounting plate, then remove the 2 flat head screws from the top of the camera. Attach the mounting plate to the top of the camera using the 2 pan head screws and replace the 2 flat head screws into the bottom holes on the camera.



**Mounting Bracket sold separately. Mounting bracket shown may vary from actual mounting bracket used.*

5. CONNECT VIDEO & POWER

Make connections to the BNC and the power connection. Feed any cable slack into the mounting surface. A Power LED will illuminate GREEN when the camera is receiving power. To ensure quality operation, verify proper BNC and power termination, along with proper voltage at camera.



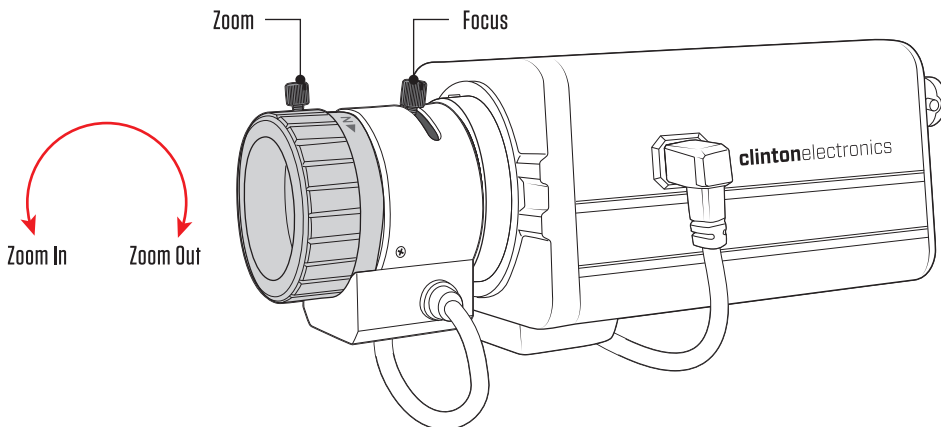
Default Analog Output: CVBS
Analog Output Selectable: (CVBS / A_HD / C_VI / T_VI)
Refer to included "HD ANALOG" page for information on changing signal type.

6. ZOOM/FOCUS ADJUSTMENT

To adjust the zoom and focus of the camera first loosen the appropriate adjustment knob.

Widen the viewing angle (zoom out) by rotating the zoom knob clockwise. To narrow the viewing angle (zoom in) rotate the zoom knob counter-clockwise. Rotate the focus knob Left or Right to adjust the focus of the lens.

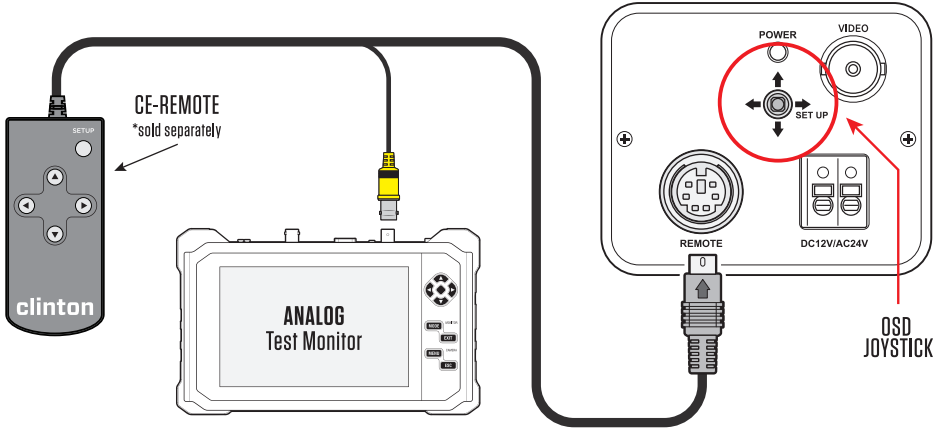
Tighten the adjustment knobs when zoom/focus adjustments are complete.



Actual lens ZOOM & FOCUS adjustments may vary from those shown. After adjustments have been made make sure to tighten the adjustment knobs to lock the adjustments into place.

7. OSD CONTROL

Before completing the installation you may wish to test the camera with a test monitor and make adjustments to the camera settings in the OSD (On Screen Display) Menu. Press the SETUP joystick "IN" to access the main menu, or attach the CE-REMOTE* to the DIN-Jack marked 'REMOTE' on the back of the camera and press the SETUP button on the CE-REMOTE.



The test monitor connection on the CE-REMOTE is an analog output. The analog output will be the same from this connection as the main Analog connector. If the camera is set to an HD Analog option, ensure the test monitor will support that signal type.

HD Analog Quick Tips

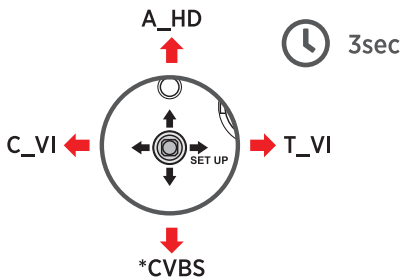
**This camera's default Analog output is set to: CVBS*

Before changing the HD Analog output of the camera, check the compatibility of the DVR to ensure that it can accept the desired camera output. Selecting an incorrect HD Analog output from the camera can result in poor video quality or no video on the DVR.

Change HD Analog Output: Joystick

Move and Hold the OSD Joystick in the desired direction (Up, Down, Left, Right) for 3 seconds to change the output signal type.

- Up: **A_HD**
- Down: **CVBS** (default)
- Left: **C_VI**
- Right: **T_VI**



Change HD Analog Output: OSD

To change the HD Analog Output: Enter the OSD Menu of the camera, then access the SYSTEM Menu. Select the desired HD Analog Output using left or right (**CVBS**, **A_HD**, **T_VI**, or **C_VI**).

