

CE-IPVX4

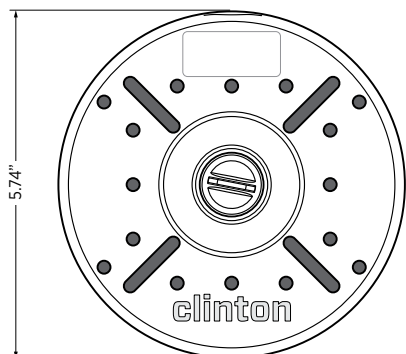
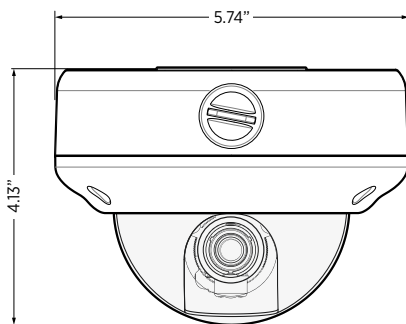
2MP IP Vandal X True D/N Dome



KEY FEATURES:

- 1/2.8" 2 Megapixel CMOS Sensor
- Full HD 1080p Resolution at 30 FPS
- Multiple H.264, MJPEG, MPEG-4 & 3GPP Video Streams
- 2.8-12mm (f1.6) True D/N Lens
- Micro SD Card Local Storage
- Analog Test Monitor Connection (for installation only)
- Two Way Audio (Line In / Line Out)
- 1 Alarm Input / 1 Alarm Output (Digital In / Digital Out)
- 3 Axis Adjustment
- IP68 Weather Rated
- DC12V / PoE (Power over Ethernet)
- ONVIF 2.4 and Profile S Compliant

DIMENSIONS:



BOTTOM VIEW

CAMERA	
Image Sensor	1/2.8" 2 Megapixel CMOS Sensor
Scanning System	Progressive Scan
Resolution	Full HD 1080p
Lens	2.8-12mm (F1.6) True D/N Lens
Angle of View	33°-107° (Horizontal)
Digital Zoom	10x Digital
Minimum Illumination	0.05 lux @ F1.6 (Color) 0.001 lux @ F1.6 (B/W)
Shutter Speed	1/2 - 1/10,000 sec.
S/N Ratio	39dB

VIDEO	
Video Compression	H.264 baseline/main profile Motion JPEG
Resolution	1920 x 1080 / 1280 x 720 / 640 x 480 / 320 x 240
Frame Rate	Up to 30 fps @ 1920 x 1080
Video Streaming	Simultaneous Motion JPEG & H.264 Controllable frame rate and bandwidth Support unicast (Real Time Streaming Protocol).
Image Settings	Rotation: mirror, flip, mirror+ flip WDR enhanced Brightness, contrast, saturation, sharpness Overlay capabilities: Title & Time stamp Privacy mask

AUDIO	
Audio Streaming	Two-way (full duplex)
Audio Compression	G.711 μ law, a law, AMR

NETWORK	
Security	Multiple user access levels with password protection, HTTPS encryption.
Supported Protocols	Bonjour, TCP/ IP, DHCP, DNS, DynDNS, PPPoE, ARP, ICMP, FTP, SMTP, NTP, UPnP, RTSP, RTP, RTCP, HTTP, HTTPS, SSL, TCP, UDP, 3GPP/ ISMA
Users	5 simultaneous users.
Alarm Input / Output	Alarm input 5V/12V DC / Alarm output Max 30W
Alarm & Event Management	Input: Alarm Buffer, Motion Detection, Audio Detection Output: Network Storage, FTP, SMTP, pre-and post alarm buffer

GENERAL	
Connections (on cable)	RJ-45 Ethernet 10/100 Base-T (PoE) DC12V Power Connection DI/DO Terminal Block for 1 Alarm Input, 1 Output Audio Input (from external accessory microphone) Audio Output (from external PC/NVR source)
Connections (inside camera housing)	RCA Analog Video Output (only for test monitor use during installation)
Local Storage	microSD Card (8gb included)
Materials	Aluminum Case w/ Polycarbonate Dome
Weather Rating	IP68
Power	DC12V: 1A, Max 5W PoE (Power over Ethernet) Built-in IEEE 802.3af/at
Operating Temperature	-20°F - 122°F / -28.8°C - 50°C
Dimensions (H x W)	5.74" (Dia.) x 4.13" (H) / 145.8mm (Dia.) x 104.9mm (H)
Weight	1.5 lbs / 680.38g
Certifications	CE, FCC, RoHS

SYSTEM REQUIREMENTS	
Installation, Management, and Maintenance	CLINTON camera management tool on CD and web-based configuration. Configuration of backup and restore firmware upgrades over HTTP, firmware available at www.clintonelectronics.com
Minimum Web Browsing Requirement	Pentium 4 2.8GHz (or equivalent AMD) 256MB RAM graphic cards (or equivalent on-board graphic cards) 1G RAM Window 2003, XP, Vista or Windows 7 Mac OS Leopard 10.5 or later

CERTIFICATIONS:

