

## CE-IDX2HD(B)L

EX-SDI 2.0 True D/N IDX Indoor Dome

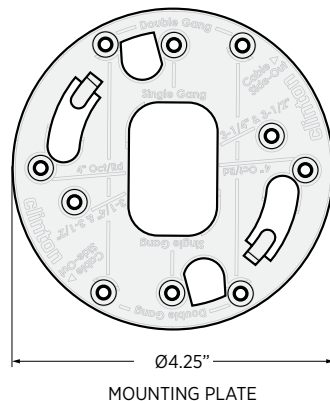
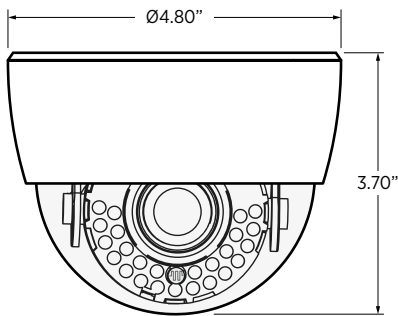


CE-IDX2HDBL (Blk)

### KEY FEATURES:

- 1/2.8" SONY Starvis 2.13 Megapixel CMOS Sensor
- 1080p @ 30fps Over RG59 Coax
- 2.8-8mm (f1.6) True D/N Autofocus Lens
- 29 IR LEDs
- EX-SDI 2.0 / HD-SDI & HD Analog outputs
- EXHD Lite 2.0
- OSD Menu Control via UCC\*, Built-in Joystick or CE-REMOTE
- RVM\*\* (Rated Voltage Monitoring)
- DC12V/AC24V
- UL Listed

### DIMENSIONS:



MOUNTING PLATE

CAMERA	
Image Sensor	1/2.8" SONY Starvis 2.13 Megapixel CMOS Sensor
Resolution	Full HD 1080p
Effective Pixels	1944 (H) x 1092 (V)
Scanning System	Progressive Scan
S/N Ratio	More than 52dB (AGC Off)
Frame Rate	1080p_30 / 720p_30
Minimum Illumination	1 Lux (COLOR) w/ Sens-Up @ x32 0.1 Lux (B&W) w/ Sens-Up @ x32
Shutter Speed	1/30 - 1/30,000 sec. / AUTO
Lens	2.8-8mm (f1.6) Autofocus True D/N Lens
Filed of View	114.2° - 54.7° (Horizontal)
Video Output	1x EX-SDI 2.0 / EX-SDI / HD-SDI 1x HD Analog: CVBS / A_HD / C_VI / T_VI
Power Consumption	DC12V: 900mA ±10% AC24V: 300mA ±10%
Power Requirement	DC12V / AC24V
Operating Temperature	32°F - 113°F / 0°C - 45°C
Operating Humidity	90% RH Max.
Weather Rating	n/a - Indoor Use Only
Mounts to Conduit Boxes	Single Gang, Double Gang, 3/4" & 3/2" Boxes, or 4" Octagon/ Round Boxes
IR LEDs	29 IR LEDs
Heaters/Fan	n/a
Materials	Plastic Case w/Polycarbonate Dome
Dimensions	4.80" (Dia.) x 3.70" (H) / 121.9mm (Dia.) x 93.9mm(H)
Weight	0.60 lbs / 0.27g

OSD	
DSP Type	EXHD - Lite 2.0
Menu Control	OSD Menu Control via CE-REMOTE* or UCC**
Zoom Focus	AF Mode, Scanning, OnePush AF, Sync TDN, Lens Reset, Initialize
Exposure	Lens, Shutter, Sens-Up, AGC
White Balance	ATW, AWB, AWC-SET, Manual
Image Adjust	Sharpness, Gamma, Brightness, Saturation, Black Level
Backlight	HLC, BLC, WDR
Day & Night	Auto, Extern, Color, B&W
DNR (3DNR)	Off, Low, Middle, High
Special	Rotate, D-Zoom, ACE, Defog, Lens Shading, Privacy, Motion
Serial	Cam ID, Baudrate, ID Display
System	SDI Output (EX-SDI 2.0 / EX-SDI / HD-SDI), HD Analog (CVBS / A_HD / C_VI / T_VI), Frame Rate, Video System, CVBS Filter, Language, Cam Title, Reset

RVM - Rated Voltage Monitoring	
LED COLOR	STATUS
GREEN	Correct Voltage (DC12V / AC24V)
RED - SOLID	Over Voltage: >29 Volts (AC24V)
RED - BLINK	Under Voltage: <10 Volts (AC24V)

ACCESSORIES	
CE-REMOTE	Plug in OSD remote
CE-IDXWB (White)	Wall Bracket for IDX Series Cameras
CE-IDXPC (White)	Pendant Cap for IDX Series Cameras
CE-IDXDPC (White)	Deep Pendant Cap for IDX Series Cameras
CE-IDXWBB (Black)	Wall Bracket for IDX Series Cameras
CE-IDXPCB (Black)	Pendant Cap for IDX Series Cameras
CE-IDXDPCB (Black)	Deep Pendant Cap for IDX Series Cameras

\*\*UCC (Universal Coax Communication) allows camera adjustments (zoom/focus & OSD settings) to be made remotely through a UCC equipped DVR channel.

\*\*\*RVM (Rated Voltage Monitoring) indicates correct/incorrect voltage at camera with LED indicator light. RVM helps prevent premature camera failure do to under or over-powered cameras.