

CE-PTZ30XHDS

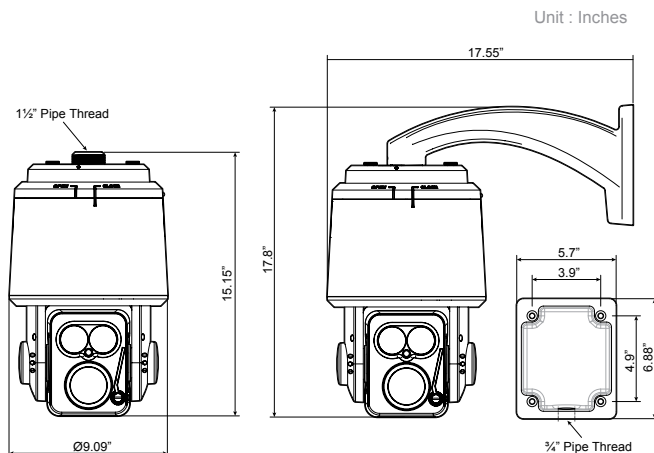
EX-SDI Low-light 30x PTZ w/ Dual Zoom IRs



KEY FEATURES:

- 1/2" 2.13MP Sony CMOS sensor
- 1080p @ 30/60fps*, 720p @ 30/60fps
- 2MP EX-SDI 2.0 / HD-SDI (1080p) & analog (CVBS) video output
- 6-180mm (f1.5-f4.3) True D/N Lens
- 30x Optical Zoom & 32x Digital Zoom
- Temperature controlled w/ fan & heater
- 255 Presets, 8 Tours, 8 Scans, 4 Patterns, 16 Areas, 8 Alarms
- 360° Pan Rotation/ -8° to 188° Tilt
- Twin motorized IR Zoom lens for IR intensity and distance adjustment
- IR Distance 800ft (± 10% approx)[†]
- Optically perfect flat viewing window prevents blooming & smear
- IP67 external polycarbonate housing
- Safety cable prevents PTZ from falling during installation/maintenance
- Built-in Wiper System keeps lens clear of moisture and dust
- Wall Bracket included
- RS-422/485 or UCC[‡] communication
- 8 Alarm Inputs / 2 Alarm Outputs
- DC24V/AC24V (Power Supply sold separately)
- 1.5" NPT threaded (male) end
- Multiple Protocols supported

DIMENSIONS:



CAMERA	
Image Sensor	1/2" SONY Exmor® CMOS 2.13MP
Resolution	2MP / Full HD 1080p
Effective (Active) Pixels	1945(H) x 1097 (V) = 2.13M Pixels
Scanning System	Progressive
Frame Rate	Full HD 1080p @ 30/60 fps or HD 720p @ 30/60 fps
Minimum Illumination	Day: 0.15 Lux (1/30 sec) Night: 0.01 Lux (1/30 sec)
S/N Ratio	More than 50dB (AGC Off)
Shutter Speed	1/30(25) - 1/30,000 sec
Video Output	EX/HD-SDI x 1, CVBS x 1
LENS	
Lens Type	x30 True Day/Night Zoom Lens, Auto Focus
Zoom Ratio	Optical x30, Digital x32 Zoom
Focal Length	6-180mm (f1.5 to f4.3)
Angle of View (Horizontal)	61.2° (Wide) 2.32° (Tele)
PAN / TILT	
Pan Rotation Range	360° Continuous, 0.1° to 120°/sec (proportional to zoom)
Pan Speed	250°/sec, ± 0.1° Accuracy
Tilt Range	-8°(352°) to 188°, 0.8°-80°/sec (proportional to zoom)
Tilt Speed	250°/sec, ± 0.05° Accuracy
FUNCTIONS	
Presets	255 Presets
Tours	8 Programmable Preset Tour Sequences
Scans	8 Programmable Scan Sequences
Patterns	4 Self-Learning Pattern Sequences for 60 sec.
Area	16 Area
Group	6 Groups (Max 6 Tours Programmable in Group)
Alarm	8 Programmable Alarms (2 Outputs)
ID Address	Up to 255 selectable (w/ rotary switches)
Data Communication	RS-485 / RS-422 / UCC
Protocols	Clinton, Pelco-D, Pelco-P, WTX, EZP, AD
Baudrate	2400, 4800, 9600, 19200, 38400, 57600, 115200 bps
OSD SETTINGS	
Camera Title	ID / Title / Zoom Ratio / System Message
Day & Night	Auto / Day / Night / Ext-in
WDR / BLC	Off / WDR / BLC / HLC
ACE	Off / Low / Middle / High
DNR (2D + 3D)	Auto / Off / Low / Middle / High
Defog	Off / On(Auto / Manual)
Digital Image Stabilizer	Off / On
Privacy Mask	Off / On (24 positions)
Digital Slow Shutter	Off /x2 /x4 (x8 : 60 or 50fps mode only)
Gain Control	Off / On
White Balance	Auto / One Push / Manual / Indoor / Outdoor
E. Zoom	Off / x2 - x32
Digital Flip	Off / H / V / H&V
GENERAL	
Power Source	DC24V/AC24V (Power Supply Sold Separately)
Power Consumption	DC24V: Operation 1.1A / Max 2.5A ±10% AC24V: Operation 780mA / Max 2.2A ±10%
Operating Temperature	-40°F - 140°F / -40°C - 60°C
Operating Humidity	0-90% RH
Weather Rating	IP67
Material	Aluminum inner / Polycarbonate outer
Dimensions (PTZ only, no bracket)	9.09" (Dia.) x 15.15" (H) / 231mm (Dia.) x 385mm (H)
Weight (PTZ only, no bracket)	15 lbs / 6.8 kg

^{*}Full HD 1080p @ 60fps is not supported by many CCTV recorders. Check specifications of connected equipment before changing frame rate of camera.

[†]IR Distance is approximation and will vary depending on multiple factors such as available ambient light, reflective surfaces and the cleanliness of the camera/IR LEDs.

[‡]UCC (Up the Coax Communication) allows camera adjustments (pan/tilt/zoom & OSD settings) to be made remotely with a UCC equipped DVR channel, through the coaxial cable instead of RS485.