

CE-PTZ30XHDR

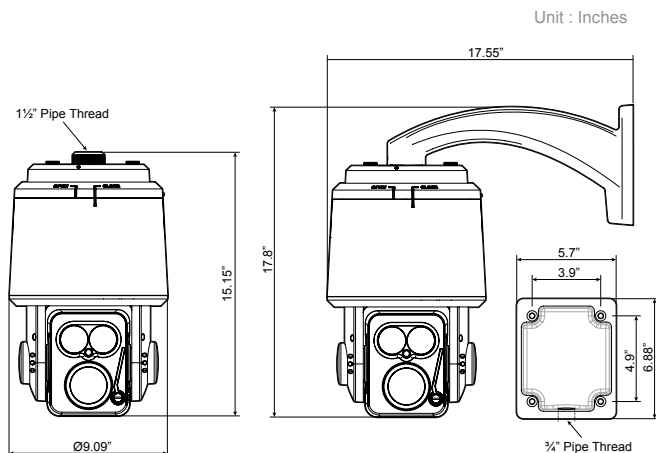
EX-SDI TDN 30x PTZ w/ Dual Zoom IRs



KEY FEATURES:

- 1/2.86" 2MP Panasonic CMOS sensor
- 1080p @ 30/60fps*, 720p @ 30/60fps
- 2MP EX-SDI 2.0 / HD-SDI (1080p) & analog (CVBS) video output
- 4.3-129mm (f1.6-f5.0) True D/N Lens
- 30x Optical Zoom & 32x Digital Zoom
- Temperature controlled w/ fan & heater
- 255 Presets, 8 Tours, 8 Scans, 4 Patterns, 16 Areas, 8 Alarms
- 360° Pan Rotation/ -8° to 188° Tilt
- Twin motorized IR Zoom lens for IR intensity and distance adjustment
- IR Distance 800ft (± 10% approx)†
- Optically perfect flat viewing window prevents blooming & smear
- IP67 external polycarbonate housing
- Safety cable prevents PTZ from falling during installation/maintenance
- Built-in Wiper System keeps lens clear of moisture and dust
- Wall Bracket included
- RS-422/485 or UCC‡ communication
- 8 Alarm Inputs / 2 Alarm Outputs
- DC24V/AC24V (Power Supply sold separately)
- 1.5" NPT threaded (male) end
- Multiple Protocols supported

DIMENSIONS:



CAMERA	
Image Sensor	1/2.86" 2MP Panasonic CMOS sensor
Resolution	Full HD 1080p @ 30fps
Effective (Active) Pixels	1944(H) x 1092 (V) = 2.12M Pixels
Scanning System	Progressive
Frame Rate	Full HD 1080p @ 30/60 fps or HD 720p @ 30/60 fps
Minimum Illumination	Day: 0.5 Lux (1/30 sec) Night: 0.1 Lux (1/30 sec)
S/N Ratio	More than 50dB (AGC Off)
Shutter Speed	1/30(25) - 1/30,000 sec
Video Output	EX/HD-SDI x 1, CVBS x 1
LENS	
Lens Type	x30 True Day/Night Zoom Lens, Auto Focus
Zoom Ratio	Optical x30, Digital x32 Zoom
Focal Length	4.3-129mm (f1.6 to f5.0)
Angle of View (Horizontal)	58.9° (Wide) 2.11° (Tele)
PAN / TILT	
Pan Rotation Range	360° Continuous, 0.1° to 120°/sec (proportional to zoom)
Pan Speed	250°/sec, ± 0.1° Accuracy
Tilt Range	-8°(352°) to 188° movement, 0.8°-80°/sec (proportional to zoom)
Tilt Speed	250°/sec, ± 0.05° Accuracy
FUNCTIONS	
Presets	255 Presets
Tours	8 Programmable Preset Tour Sequences
Scans	8 Programmable Scan Sequences
Patterns	4 Self-Learning Pattern Sequences for 60 sec.
Area	16 Area
Group	6 Groups (Max 6 Tours Programmable in Group)
Alarm	8 Programmable Alarms (2 Outputs)
ID Address	Up to 255 selectable (w/ rotary switches)
Data Communication	RS-485 / RS-422 / UCC
Protocols	Clinton, Pelco-D, Pelco-P, WTX, EZP, AD
Baudrate	2400, 4800, 9600, 19200, 38400, 57600, 115200 bps
OSD SETTINGS	
Camera Title	ID / Title / Zoom Ratio / System Message
Day & Night	Auto / Day / Night / Ext-in
WDR / BLC	Off / WDR / BLC / HLC
ACE	Off / Low / Middle / High
DNR	Auto / Off / Low / Middle / High
Defog	Off / On(Auto / Manual)
Digital Image Stabilizer	Off / On
Privacy Mask	Off / On (24 positions)
Digital Slow Shutter	Off / x2 / x4 / x8 : 60 or 50fps mode only)
Gain Control	Off / On
White Balance	Auto / One Push / Manual / Indoor / Outdoor
E. Zoom	Off / x2 - x32
Digital Flip	Off / H / V / H&V
GENERAL	
Power Source	DC24V/AC24V (Power Supply Sold Separately)
Power Consumption	DC24V: Operation 1A / Max 2.3A ±10% AC24V: Operation 760mA / Max 2A ±10%
Operating Temperature	-40°F - 140°F / -40°C - 60°C
Operating Humidity	0-90% RH
Weather Rating	IP67
Material	Aluminum inner / Polycarbonate outer
Dimensions (PTZ assembly only, no bracket)	9.09" (Dia.) x 15.15" (H) / 231mm (Dia.) x 385mm (H)
Weight (PTZ assembly only, no bracket)	15 lbs / 6.8 kg

*Full HD 1080p @ 60fps is not supported by many CCTV recorders. Check specifications of connected equipment before changing frame rate of camera.

†IR Distance is approximation and will vary depending on multiple factors such as available ambient light, reflective surfaces and the cleanliness of the camera/IR LEDs.

‡UCC (Up the Coax Communication) allows camera adjustments (pan/tilt/zoom & OSD settings) to be made remotely with a UCC equipped DVR channel, through the coaxial cable instead of RS485.