

CE-WC1HD

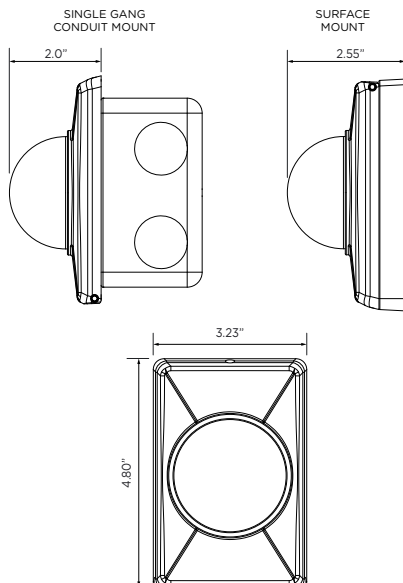
EX-SDI 2.0 Indoor Wall Mount Camera



KEY FEATURES:

- 1/2.8" SONY Starvis 2.13 Megapixel CMOS Sensor
- 1080p @ 30fps Over RG59 Coax
- 2.9mm (f1.8) Fixed Lens
- EX-SDI 2.0 / EX-SDI / HD-SDI Video Output (selectable)
- HD Analog / Analog Video Output (selectable)
- EXHD Lite 2.0
- OSD Menu Control via Built-In Joystick or UCC*
- Single Gang Conduit Box or Surface Mount Installation
- DC12V
- UL Listed

DIMENSIONS:



CAMERA	
Image Sensor	1/2.8" SONY Starvis 2.13 Megapixel CMOS Sensor
Resolution	Full HD 1080p
Effective Pixels	1944 (H) x 1092 (V)
Scanning System	Progressive Scan
S/N Ratio	More than 52dB (AGC Off)
Frame Rate	1080p_30 / 720p_30
Minimum Illumination	1 Lux (COLOR) w/ Sens-Up @ x32 0.1 Lux (B&W) w/ Sens-Up @ x32
Shutter Speed	1/30 - 1/30,000 sec. / AUTO
Lens	2.9mm (f1.8) Fixed Lens
Video Output (SDI & Analog selectable)	1x EX-SDI 2.0 / EX-SDI / HD-SDI 1x HD Analog: CVBS / A_HD / C_VI / T_VI
Power Consumption	Max. 300mA (DC12V)
Power Requirement	DC12V
Operating Temperature	32°F - 113°F / 0°C - 45°C
Operating Humidity	90% RH Max.
Weather Rating	n/a - Indoor Use Only
Mounts to Conduit Boxes	Single Gang
IR LEDs	n/a
Heaters/Fan	n/a
Materials	Aluminum Housing w/Polycarbonate Dome
Dimensions *Conduit Box Install	3.23" x 4.8" x 2" 82mm x 122mm x 51mm
Dimensions *Surface Mount Install	3.23" x 4.8" x 2" 82mm x 122mm x 51mm
Weight	1.01 lbs / 0.45 kg

OSD	
DSP Type	EXHD - Lite 2.0
Menu Control	OSD Menu Control via Built-in Joystick or UCC*
Exposure	Lens, Shutter, Sens-Up, AGC
White Balance	ATW, AWB, AWC-SET, Manual
Image Adjust	Sharpness, Gamma, Brightness, Saturation, Black Level
Backlight	HLC, BLC, WDR
Day & Night	Auto, Extern, Color, B&W
DNR (3DNR)	Off, Low, Middle, High
Special	Rotate, D-Zoom, ACE, Defog, Lens Shading, Privacy, Motion
Serial	Cam ID, Baudrate, ID Display
System	SDI Output (EX-SDI 2.0 / EX-SDI / HD-SDI), HD Analog (CVBS / A_HD / C_VI / T_VI), Frame Rate, Video System, CVBS Filter, Language, Cam Title, Reset

*UCC (Universal Coax Communication) allows camera adjustments (OSD settings) to be made remotely through a UCC equipped DVR channel.

CERTIFICATIONS:

