

CE-PTZ30XHDR(S) Install Guide

EX-SDI 2.0 + UCC Update

Included Items:

- Camera x 1
- Pendant Cap x 1
- Wall Mount Arm x 1
- Silicone Mounting Pad x 1
- Analog Video Pigtail x 1
- Screw/Plug Tightening Tool x 1

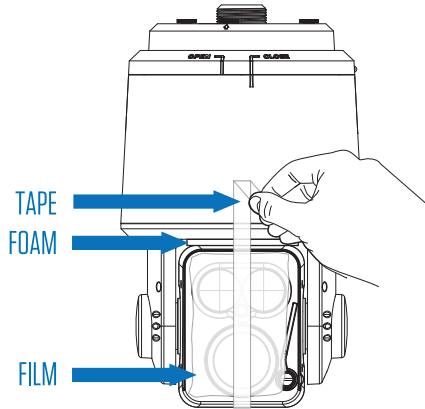
- Wall Mount Locking Screws x 2
- Installation Manual x 1
- Expansion Fasteners x 4
- Top Cover Bolts with Silicone Washers x 3
- Replacement Wiper Blade
- Clamping Cable Ferrite Core x 1

Required Items:

- Power Supply
- PTZ Keyboard

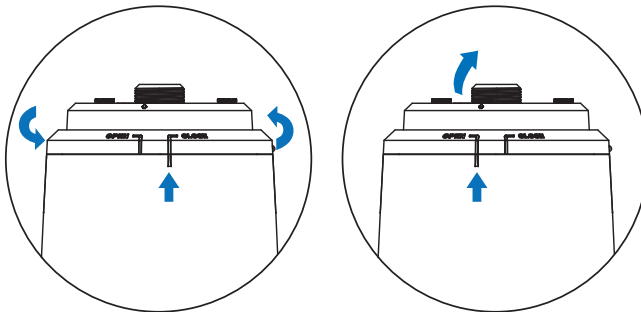
1. REMOVE PROTECTIVE PACKING

Peel off the tape which holds the camera head in place, then remove the foam packing ring between the camera body and camera head, and remove the protective film from the face of the camera.



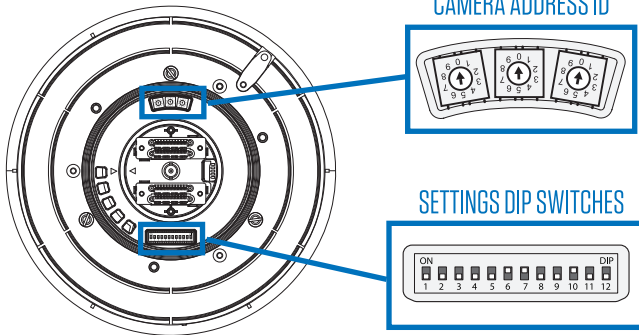
2. REMOVE PENDANT CAP

Turn the cap counter-clockwise until the mark on the camera body aligns to the "OPEN" mark on the pendant cap. Pull the cap away from the camera body to remove.



3. SET DIP SWITCHES

Before connecting the camera, set the camera address, protocol, and termination settings with the dip-switches and dials located on the base of the camera body. Selected address and settings will be shown on-screen during the initial power-up sequence.



Address ID Number

Use the three rotary digit dials to set the Address ID number for the camera. Camera address ID numbers can be set from 1-255. Dials set to any number over 255 will default to 255.

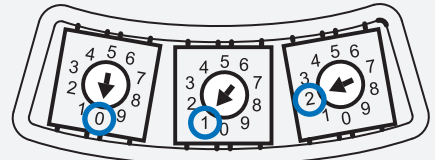
The first dial defines the 100's-digit address position.

The second dial defines the 10's-digit address position.

The third dial defines the 1's-digit address position.

EXAMPLE:

100's Position 10's Position 1's position

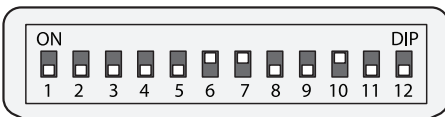


S1 Dial= 0 S2 Dial= 1 S3 Dial= 2

Camera ID= 012

Settings & Termination

Use the dip switches to configure the PTZ camera to the desired settings. Dip Switch #9 Termination Note: The device which is connected at the end of the line must have the cable communication terminated. Without proper termination, there is potential for control signal errors.



! ATTENTION

RS-485 control does not function (PTZ Keyboard/Controller), when UCC (switch 12) is 'ON'.

UCC only functions when SDI, (switch 10) is set to EX-SDI.

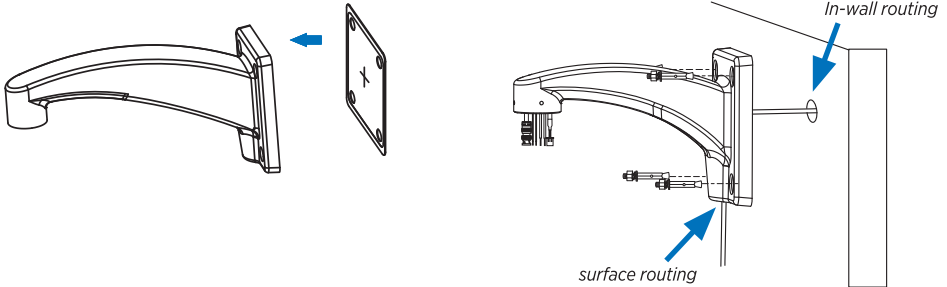
PROTOCOL	1	2	3	BAUDRATE	4	5	6	COMM.	7	NTSC/PAL	8	TERMINATION	9
CLINTON*	OFF	OFF	OFF	2400	OFF	OFF	OFF	RS-485*	ON	PAL	ON	ON	ON
PELCO-D	OFF	OFF	ON	4800*	OFF	OFF	ON	RS-422	OFF	NTSC*	OFF	OFF*	OFF
PELCO-P	OFF	ON	OFF	9600	OFF	ON	OFF	SDI	10	-	11	UCC	12
WTX	OFF	ON	ON	19200	OFF	ON	ON	EX-SDI*	ON	-	ON	ON	ON
EZP	ON	OFF	OFF	38400	ON	OFF	OFF	HD-SDI	OFF	-	OFF	OFF*	OFF
CLINTON	ON	OFF	ON	57600	ON	OFF	ON						
CLINTON	ON	ON	OFF	115200	ON	ON	OFF						
CLINTON	ON	ON	ON	2400	ON	ON	ON						

Dip switch 11 has no function on this model.

*Indicates default setting

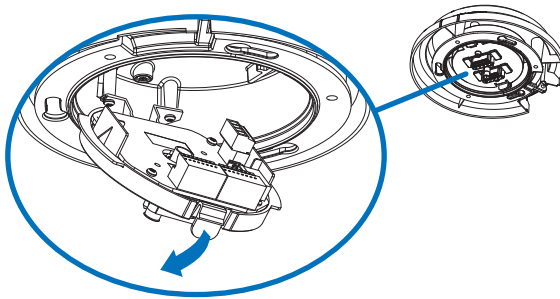
4. ATTACH WALL MOUNT BRACKET

- Remove protective film from the edge of the silicone mounting pad to reveal the adhesive surface. Press adhesive side firmly onto wall mount base to affix to the wall mount.
- Make cable connections at the wall mounting end, and feed cable ends through the threaded opening of the bracket. Feed any excess cables into the mounting surface, or into the bracket arm.
- If surface routing the cables, remove the threaded plug located on the bottom of the mounting bracket. The threaded hole accepts a 3/4" EMT conduit adapter (not included, sold separately).
- Attach the bracket to the mounting surface using the included masonry anchors, or other appropriate hardware.



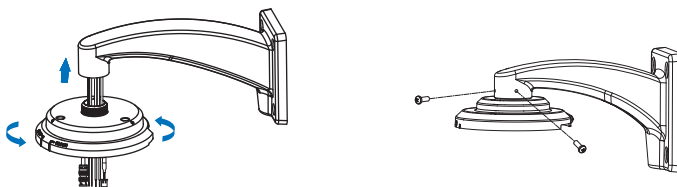
5. OPEN CABLE CONNECTION COVER

- Open the cable connection cover on the pendant cap by pushing the locking tab towards the center of the camera, and then pull on the tab to swing the cover open.



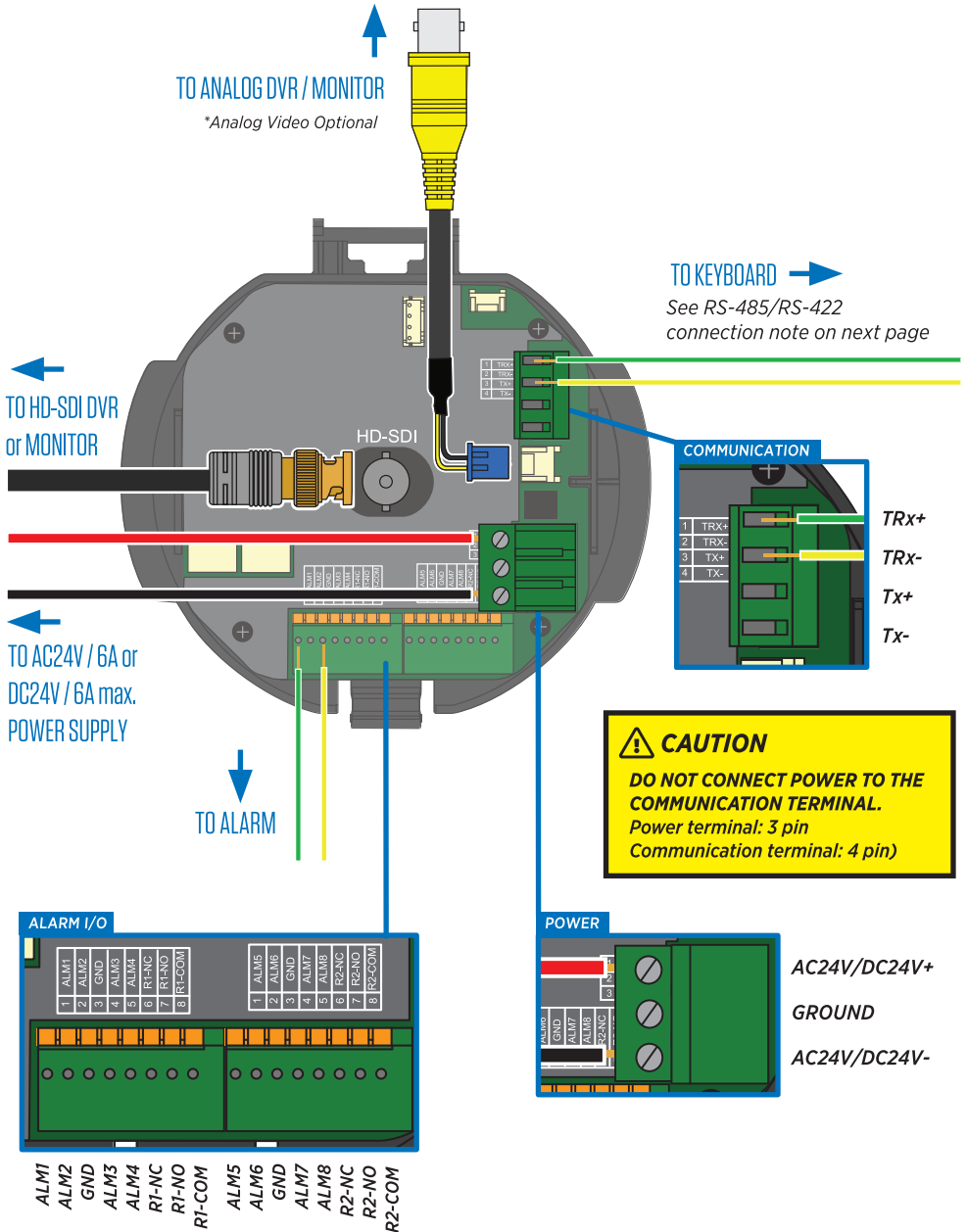
6. ATTACH PENDANT CAP

- Feed cables through the pendant cap, and screw the cap into the female threaded side of the wall mount bracket.
- Attach M4 screws into front and side of wall mount bracket to secure into place.



7. CONNECT CABLES

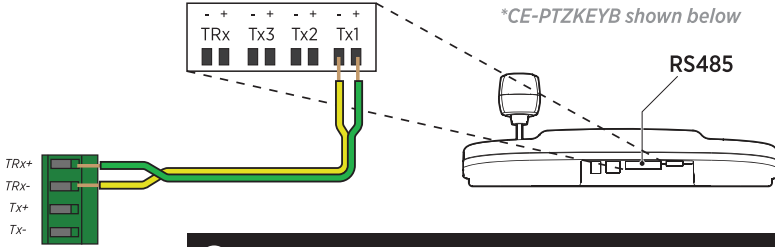
Connect the power, video, and communication cables to the corresponding connection terminals located on the door of the pendant cap.



RS-485/RS-422 Connection

The PTZ can be controlled by an external device or control system such as a keyboard or DVR using the RS-485 half duplex, or RS-422 duplex/simplex serial communication signals.

Connect TRx+ and TRx- on the PTZ to Tx+ and Tx- on the controller. Total length of the cable should not exceed 3,900 feet.

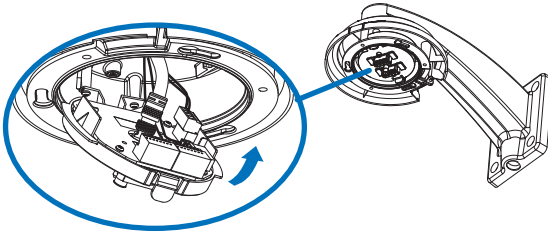


⚠ ATTENTION

RS-485 control does not function (PTZ Keyboard/Controller), when UCC (switch 12) is 'ON'.

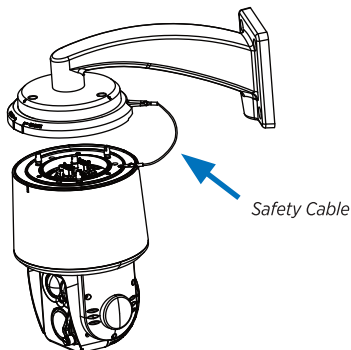
8. CLOSE COVER

Gently guide cables back into the pendant cap while closing the cable connection door. Press the door until the tab securely snaps back into place.



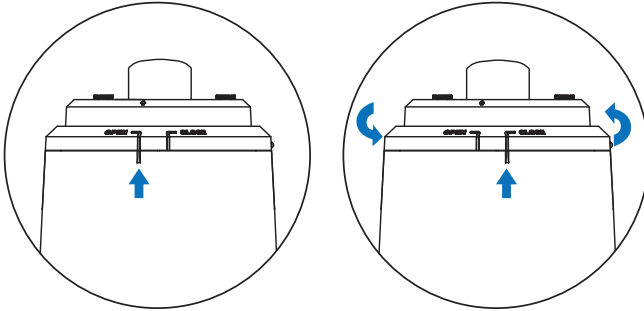
9. ATTACH SAFETY CABLE

a. Secure the camera body to the mounted pendant cap by clipping the safety cable clip onto the eyelet hole located on the side of the pendant cap.



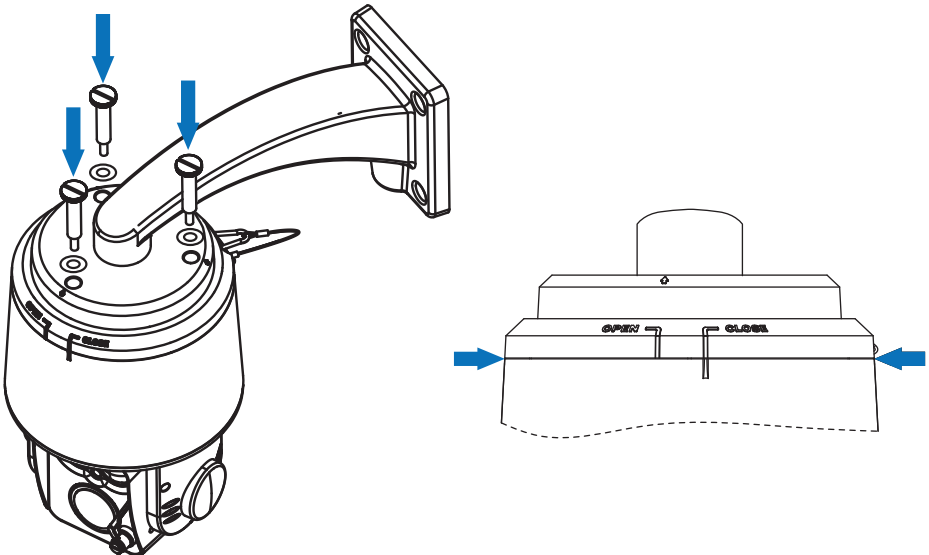
10. LOCK CAMERA TO CAP

Lock the camera to the pendant cap by aligning the line on the camera body to the first (left) line on the pendant cap, then rotate the camera body clockwise (right) until the camera body line aligns with the second (right) line on the pendant cap.



11. SECURE CAP WITH BOLTS

Insert the three included locking bolts with silicone washers into the top holes on the pendant cap. Using a Flat head screwdriver, tighten the bolts until the gap between the pendant cap and camera body has been closed.



ATTENTION

If locking bolts and washers are not used or aren't fully tightened the weather resistant housing will be compromised, potentially allowing water to leak into the camera.