

CE-PTZ30XHD-IN

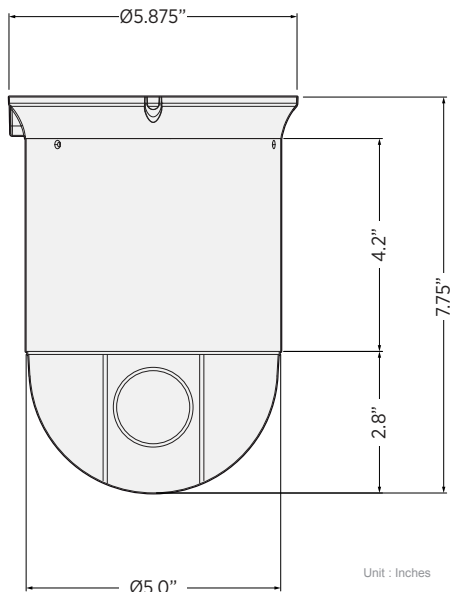
HD-SDI TDN Indoor 30x PTZ



KEY FEATURES:

- 1/3" 2MP Panasonic CMOS sensor
- 1080p @ 30fps, 720p @ 60fps
- HD-SDI (1080p) output
- 4.3-129mm (f1.6-f4.7) True D/N Lens
- 30x Optical Zoom & 32x Digital Zoom
- 255 Presets, 8 Tours, 8 Scans, 4 Patterns, 16 Areas, 4 Alarms
- 360° Pan Rotation/ 0° to 90° Tilt
- Ceiling mount bracket included
- RS-422/485 communication
- 4 Alarm Inputs / 2 Alarm Outputs
- AC24V / DC24V (Power Supply sold separately)
- Multiple Protocols supported
- Airflow Control System

DIMENSIONS:



CAMERA	
Image Sensor	1/3" Panasonic CMOS
Resolution	Full HD 1080p @ 30 fps
Effective (Active) Pixels	1944(H) x 1092 (V) = 2.12M Pixels
Scanning System	Progressive
Resolution	Full HD 1080p @ 30fps
Minimum Illumination	Day: 0.5 Lux Night: 0.1 Lux
S/N Ratio	More than 50dB (AGC Off)
Shutter Speed	1/30(25) - 1/30,000 sec
Video Output	HD-SDI x 1, CVBS x 1

LENS	
Lens Type	x30 True Day/Night Zoom Lens, Auto Focus
Zoom Ratio	Optical x30, Digital x32 Zoom
Focal Length	4.3-129mm (f1.6 to f4.7)
Angle of View (Horizontal)	58.9° (Wide) 2.11° (Tele)

PAN / TILT	
Pan Rotation Range	360° Continuous, 0.1° to 120°/sec (proportional to zoom)
Pan Speed	250°/sec, ± 0.1° Accuracy
Tilt Range	0° to 90° movement, 0.1°-120°/sec (proportional to zoom)
Tilt Speed	250°/sec, ± 0.05° Accuracy

FUNCTIONS	
Presets	255 Presets
Tours	8 Programmable Preset Tour Sequences
Scans	8 Programmable Scan Sequences
Patterns	4 Self-Learning Pattern Sequences for 60 sec.
Area	16 Area
Group	6 Groups (Max 6 Tours Programmable in Group)
Alarm	4 Alarm Inputs / 2 Outputs
ID Address	Up to 255 selectable (w/ rotary switches)
Data Communication	RS-485 / RS-422
Protocols	Multiple Protocols (Clinton, Pelco D, Pelco P, EZP)
Baudrate	2400, 4800, 9600, 19200, 38400, 57600, 115200 bps

OSD SETTINGS	
Camera Title	ID / Title / Zoom Ratio / System Message
Day & Night	Auto / Day / Night / Ext-in
WDR / BLC	Off / WDR / BLC / HLC
ACE	Off / Low / Middle / High
DNR (2D + 3D)	Auto / Off / Low / Middle / High
Defog	Off / On(Auto / Manual)
Digital Image Stabilizer	Off / On
Privacy Mask	Off / On (24 positions)
Digital Slow Shutter	Off / x2 / x4 (x8: 60 or 50fps mode only)
Gain Control	Off / On
White Balance	Auto / One Push / Manual / Indoor / Outdoor
E. Zoom	Off / x2 - x32
Digital Flip	Off / H / V / H&V

GENERAL	
Power Source	AC24V / DC 15-26V (Power Supply Sold Separately)
Power Consumption	Operation 8W (400mA) / Max 11W (500 mA) w/ Fan On
Operating Temperature	14°F - 122°F / -10°C - 50°C
Operating Humidity	0-90% RH
Weather Rating	n/a - Indoor Use Only
Material	Plastic Housing & Polycarbonate Dome
Dimensions	5.875" (Dia.) x 7.75" (H) / 149.225mm (Dia.) x 196.85mm (H)
Weight	4 lbs / 1.814 kg

ACCESSORIES	
CE-PTZKEYB	3 Axis PTZ Controller/Keyboard
CE-PTZRM	Indoor Recess Mount Kit for CE-PTZ30XHD-IN