

CE-PTZ10XHD-RM Install Guide

Included Items:

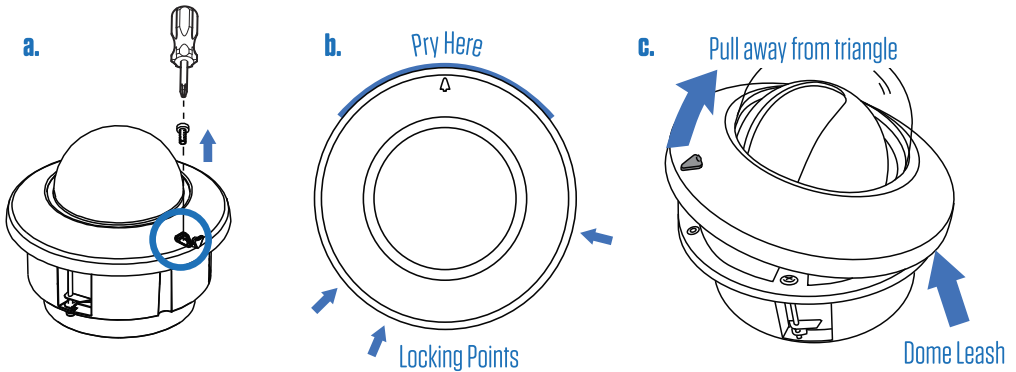
- Camera x 1
- Cable Harness x 1
- Template Sticker x 1
- Installation Manual x 1

Required Items:

- Power Supply (not included)
- PTZ Keyboard (not included)

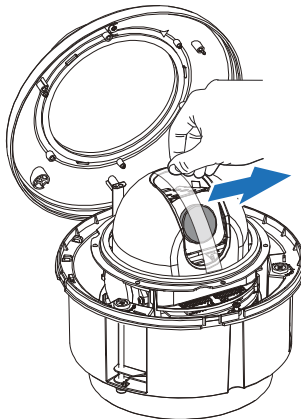
1. REMOVE TOP COVER

- Pull back the triangle rubber cover to expose the dome cover screw. Remove the screw.
- The top cover is held in place by three snap locking points located on the perimeter of the camera body. To remove the top cover, pry the cover firmly outward by the area indicated in the illustration below.
- Pull the top cover away from the triangle located on the top cover. Take care not to damage the dome leash when removing the cover.



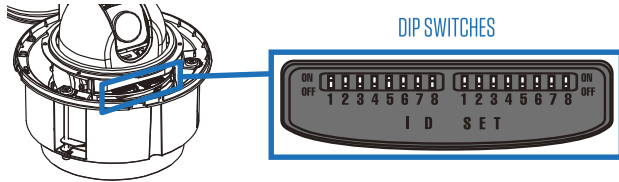
2. REMOVE LENS COVER

- Peel off the tape which holds the camera lens in place, then remove the lens cover from the lens.



3. SET DIP SWITCHES

Before installing the camera, set the camera address, and protocol settings with the dip-switches found on the interior of the camera housing after removing the top cover.



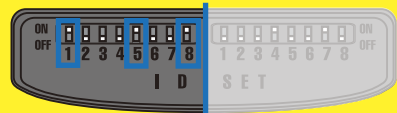
Address ID Number

The first set of numbered switches corresponds to the device's address ID number. When a combination of switches are set to on, the ID number will be the sum of those switches. To confirm the ID number, it will appear on-screen during the initial information boot up screen. Camera IDs can be set from 1-255.

SWITCH #	1	2	3	4	5	6	7	8
ID #	1*	2	4	8	16	32	64	128

*Indicates default setting

EXAMPLE:
ID Number Dip Switches 1, 5, and 8 set to ON.



Dip switch #1 = 1 Dip switch #5 = 16 Dip switch #8 = 128
1 + 16 + 128 = Camera Address ID 145

Settings

The second set of numbered switches corresponds to the PTZ's settings.



PROTOCOL	1	2
CLINTON*	OFF	OFF
PELCO-D	OFF	ON
PELCO-P	ON	OFF
AD	ON	ON

BAUDRATE	3	4	5
2400	OFF	OFF	OFF
4800*	OFF	OFF	ON
9600	OFF	ON	OFF
19200	OFF	ON	ON
38400	ON	OFF	OFF
57600	ON	OFF	ON
115200	ON	ON	OFF

NTSC/PAL	6
PAL	ON
NTSC*	OFF

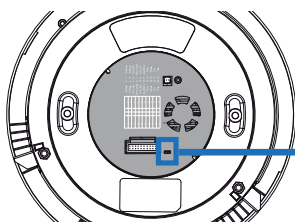
COMM.	7
RS-485	ON
RS-422*	OFF

Dip switch 8 is disabled on this model.

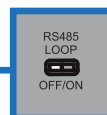
*Indicates default setting

4. SET TERMINATION SWITCH

The device which is connected at the end of the line must have the cable communication terminated. Without proper termination, there is potential for control signal errors. The termination dip switch can be found on the bottom side of the camera body.



TERMINATION SWITCH

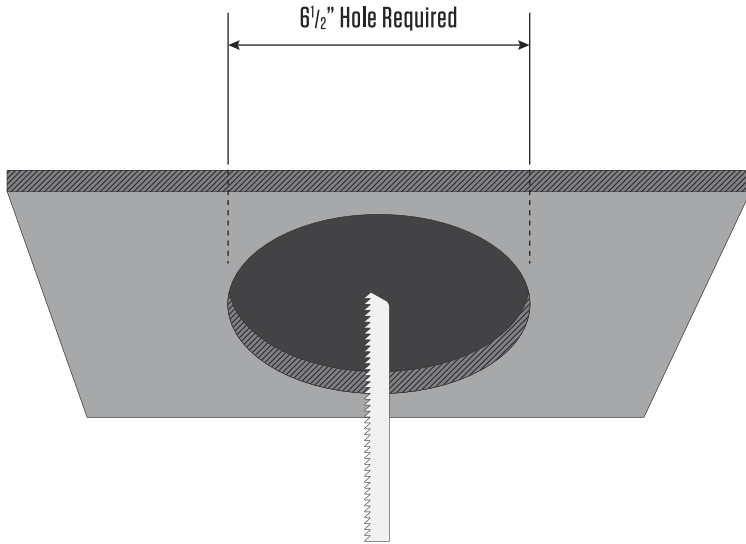


TERMINATION	
TERMINATED	ON
NOT TERMINATED*	OFF

*Indicates default setting

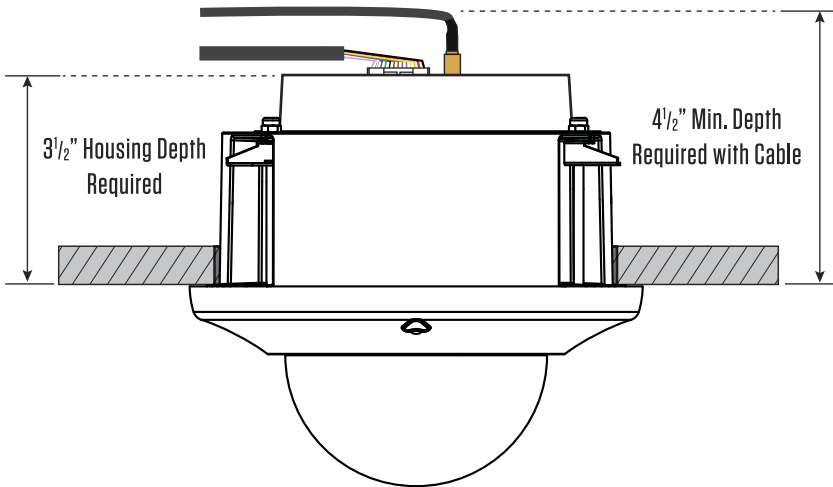
5. CUT HOLE

Use the included template sticker to mark the desired installation position. Cut a 6-1/2" hole into the mounting surface.



6. VERIFY CLEARANCE

A minimum of 4-1/2" of depth is required for clearance of the PTZ and cables.



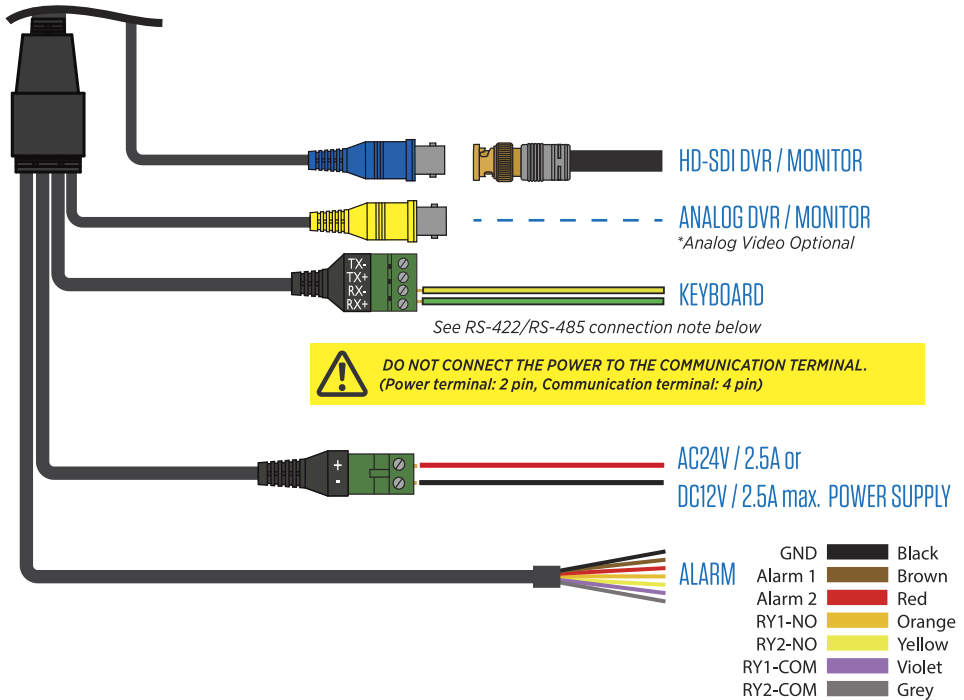
7. CONNECT CABLES

Before the camera can be installed, you will need to connect the power, video, and communication cables to the PTZ's wiring harness.



Cables Through Wall Mount Bracket

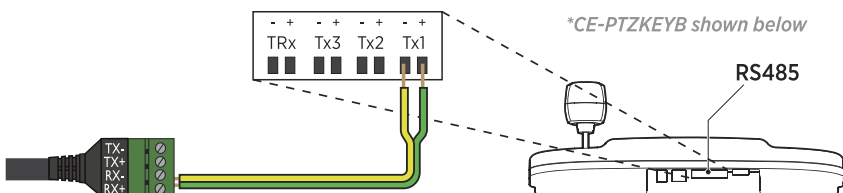
Do Not Connect to Camera body yet. Continue on to steps on next pages.



RS-422/RS-485 Connection

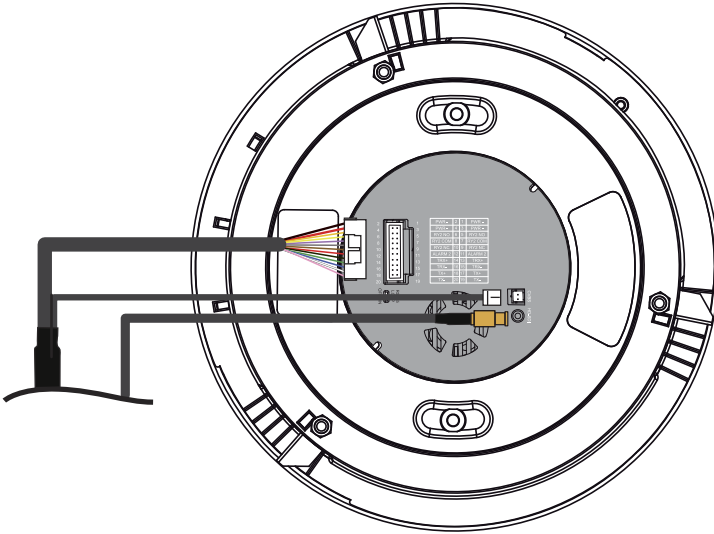
The PTZ can be controlled by an external device or control system such as a keyboard or DVR using the RS-485 half duplex, or RS-422 duplex or simplex serial communication signals.

Connect Rx+ and Rx- on the PTZ communication cable to Tx+ and Tx- on the controller. Total length of the cable should not exceed 3,900 feet.



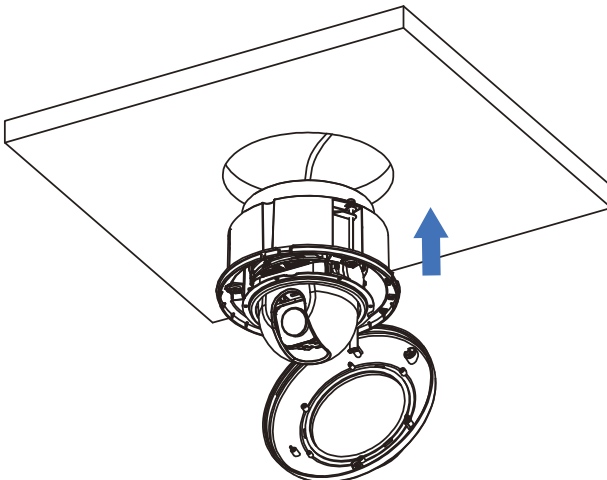
8. CONNECT WIRING HARNESS

Plug the end of the wiring harness into the port on the top of the camera body. Do not force the plug into the port; the plug can only be inserted one way. Insert HD-SDI and analog plugs into their respective connections.



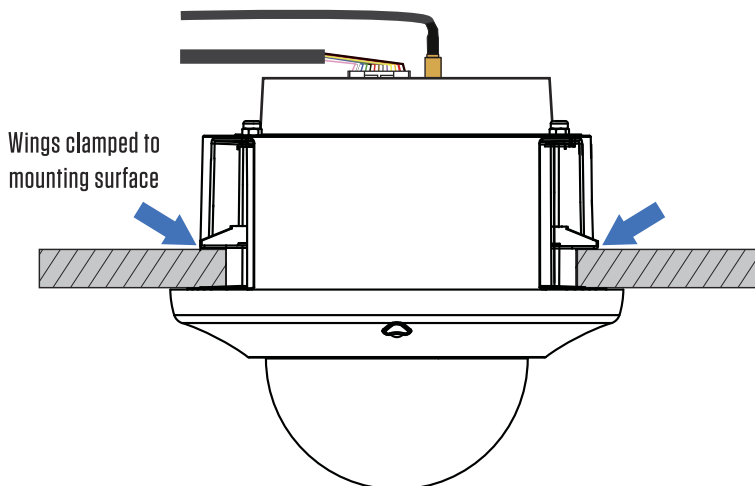
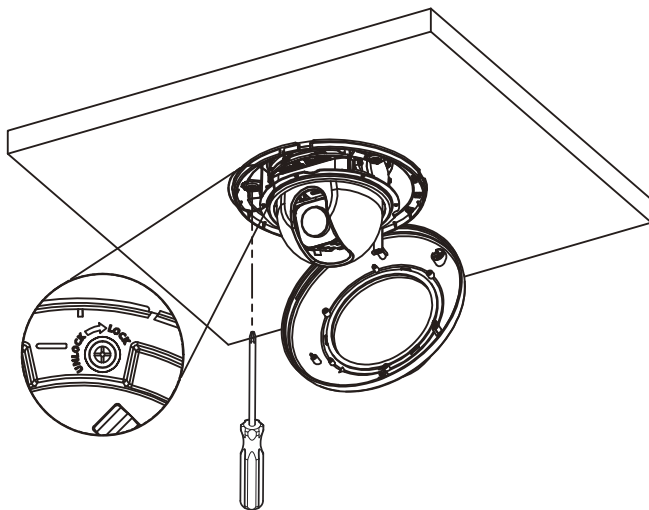
9. INSERT INTO CEILING

Insert the camera body into the hole until the rim of the camera body is flush against the surface.



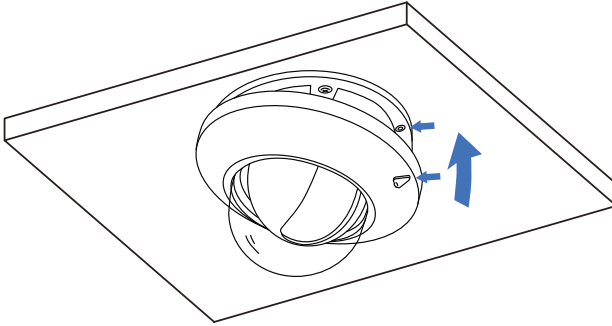
10. TIGHTEN SCREWS

Using a Phillips head screwdriver, turn the three screws on the outer rim of the camera body clockwise. Continue turning these screws until the screw-activated-wings firmly clamp onto the mounting surface.



11. REPLACE TOP COVER

Align the triangle rubber screw cover on the top cover to the threaded brass insert on the interior rim of the camera housing. Push the top cover inward firmly to snap back into place.



12. LOCK COVER WITH SCREW

Remove the rubber screw cover to access the top cover screw. Tighten the screw with a Phillips head screwdriver to secure in place.

