

CE-PTZ30XHD-IN Install Guide

Included Items:

- Camera x 1
- Dome Bubble x 1
- Mounting Base x 1
- 1" Phillips Head Mounting Screws x 3

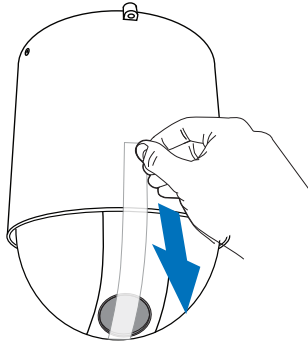
- Drywall Anchors x 3
- Base Plate Screw x 1
- Installation Manual x 1

Required Items:

- Power Supply
- PTZ Keyboard

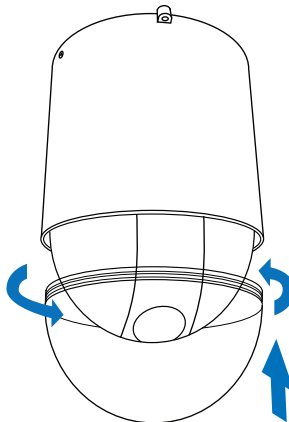
1. REMOVE LENS COVER

Peel off the tape which holds the camera lens in place, then remove the lens cover from the lens.



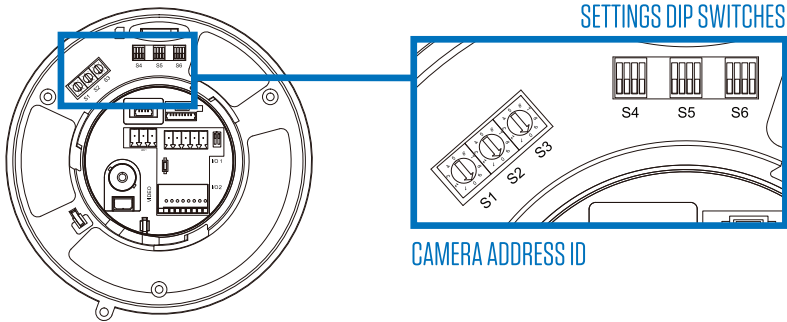
2. ATTACH DOME BUBBLE

Place the dome bubble over the end of the camera, and rotate the bubble clockwise to thread onto the camera body.



3. SET DIP SWITCHES

Before connecting the camera, set the camera address, protocol, and termination settings with the dip-switches and dials.



Address ID Number

Use the three rotary digit dials to set the Address ID number for the camera. Camera address ID numbers can be set from 1-255. Dials set to any number over 255 will default to 255.

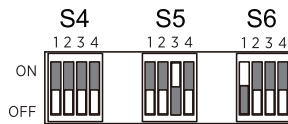
- The first dial defines the 100's-digit address position.
- The second dial defines the 10's-digit address position.
- The third dial defines the 1's-digit address position.

EXAMPLE:

100's Position	10's Position	1's position
S1 Dial= 0	S2 Dial= 2	S3 Dial= 1
Camera ID= 021		

Settings & Termination

Use the dip switches to configure the PTZ camera to the desired settings. Dip Switch S6-2 Termination Note: The device which is connected at the end of the line must have the cable communication terminated. Without proper termination, there is potential for control signal errors.



PROTOCOL	S4-1	S4-2	S4-3
CLINTON*	OFF	OFF	OFF
PELCO-D	OFF	OFF	ON
PELCO-P	OFF	ON	OFF
EZP	OFF	ON	ON
not used	ON	OFF	OFF
not used	ON	OFF	ON
not used	ON	ON	OFF
not used	ON	ON	ON

BAUDRATE	S5-1	S5-2	S5-3
2400	OFF	OFF	OFF
4800*	OFF	OFF	ON
9600	OFF	ON	OFF
19200	OFF	ON	ON
38400	ON	OFF	OFF
57600	ON	OFF	ON
115200	ON	ON	OFF
2400	ON	ON	ON

NTSC/PAL	S5-4
PAL	ON
NTSC*	OFF

COMM.	S6-1
RS-485*	ON
RS-422	OFF

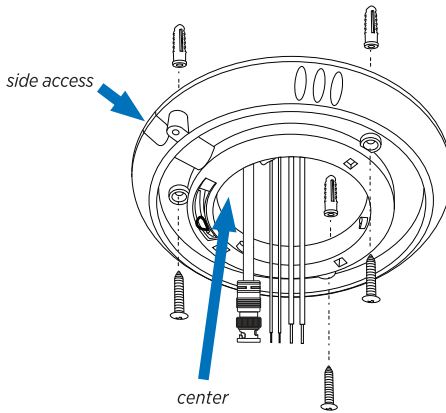
TERMINATION	S6-2
ON	ON
OFF*	OFF

Dip switches S4-4 & S6-3 are disabled on this model, Dip switch S6-4 is for factory service, and should remain OFF for proper operation.

*Indicates default setting

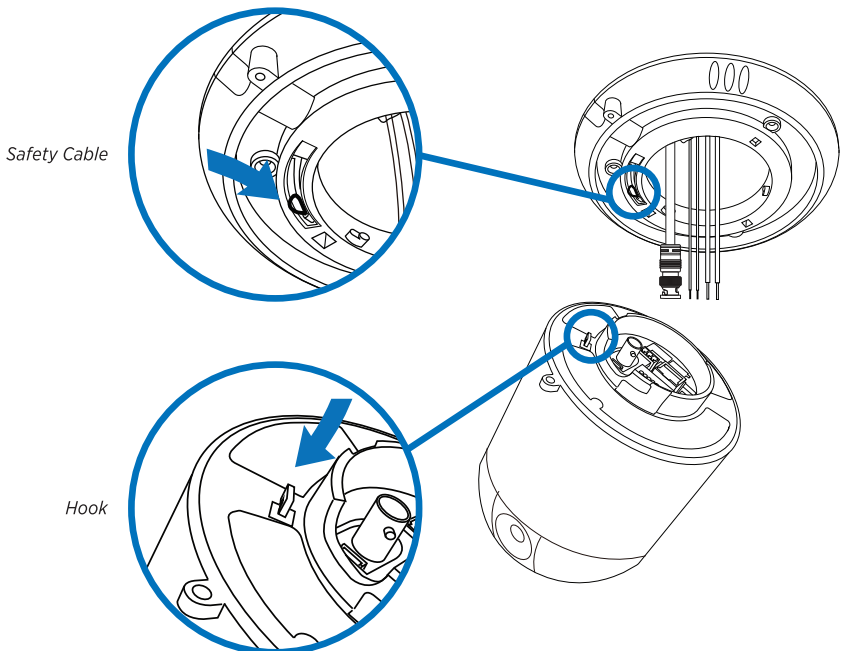
4. ATTACH MOUNTING BASE

- a. Route cables through the center opening, or through the side cable access hole by removing the cable knockout with pliers.
- b. Attach the mounting base plate to the desired mounting surface. If mounting to drywall, use the included drywall anchors and screws. For other mounting surfaces use appropriate mounting hardware (not included).



5. ATTACH SAFETY CABLE

- Secure the camera body to the mounted base by hooking the safety cable over the hook located on the base of the camera body.

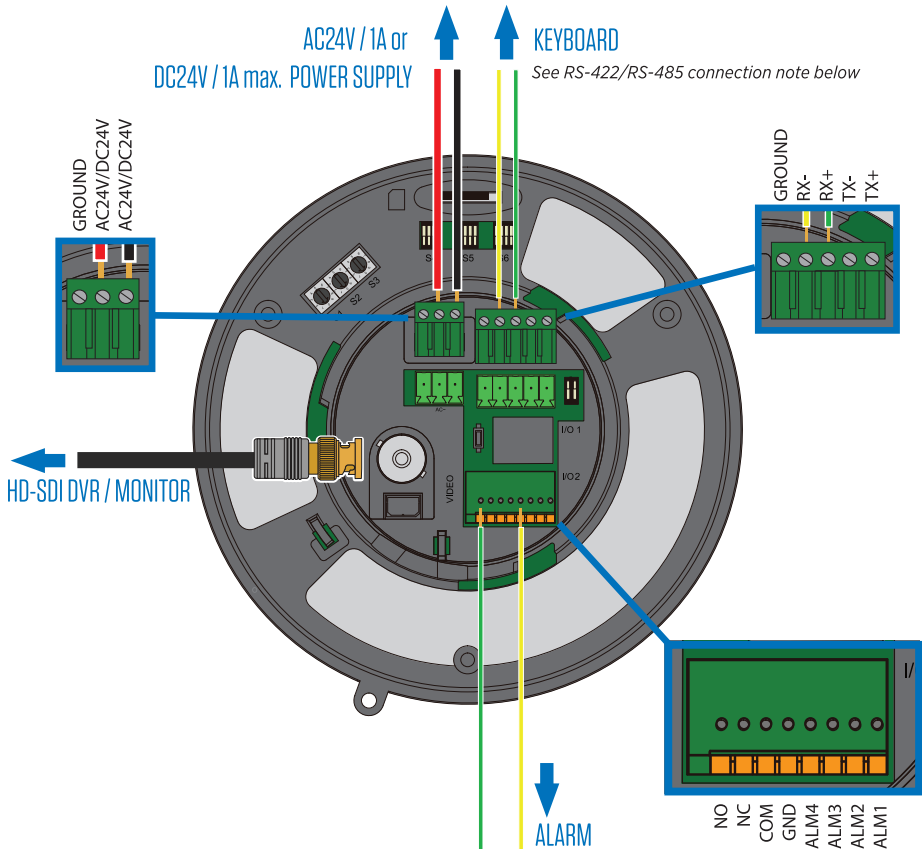


6. CONNECT CABLES

Connect the power, video, and communication cables to the bottom of the PTZ.



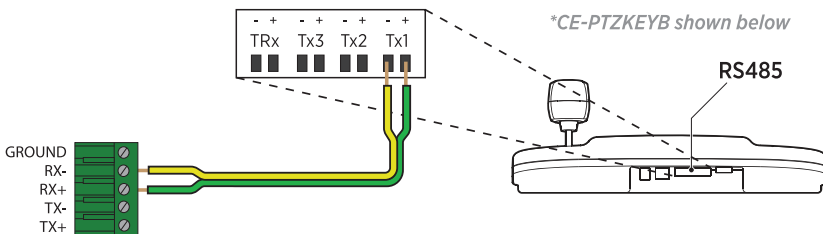
DO NOT CONNECT THE POWER TO THE COMMUNICATION TERMINAL.
(Power terminal: 3 pin, Communication terminal: 5 pin)



RS-422/RS-485 Connection

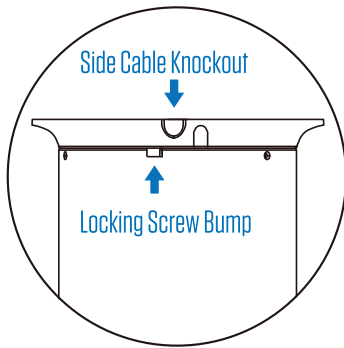
The PTZ can be controlled by an external device or control system such as a keyboard or DVR using the RS-485 half duplex, or RS-422 duplex or simplex serial communication signals.

Connect Rx+ and Rx- on the PTZ to Tx+ and Tx- on the controller. Total length of the cable should not exceed 3,900 feet.

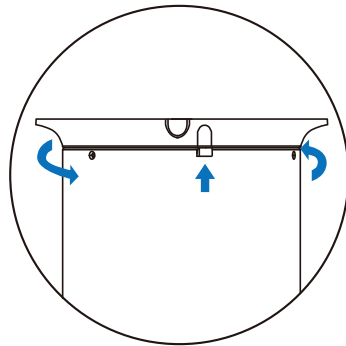


7. LOCK CAMERA TO MOUNTING BASE

- a. Attach camera to the pendant cap by aligning the set screw portion on the camera body to the left of the side knockout on the base plate, then rotate the camera body clockwise until the locking screw hole in the camera body aligns with the locking screw hole in the base plate.
- b. Insert the included Phillips head screw into the locking screw hole, and tighten with a screwdriver.



OPEN



CLOSED

