

# CE-B10HDL Install Guide

## Included Items:

- Bullet Camera x 1
- Phillips Screws x 4
- Drywall Anchors x 4
- 3mm Allen Wrench x 1
- Barrel Plug w/ Pigtail x 1
- Instructions x 1

## Required Items:

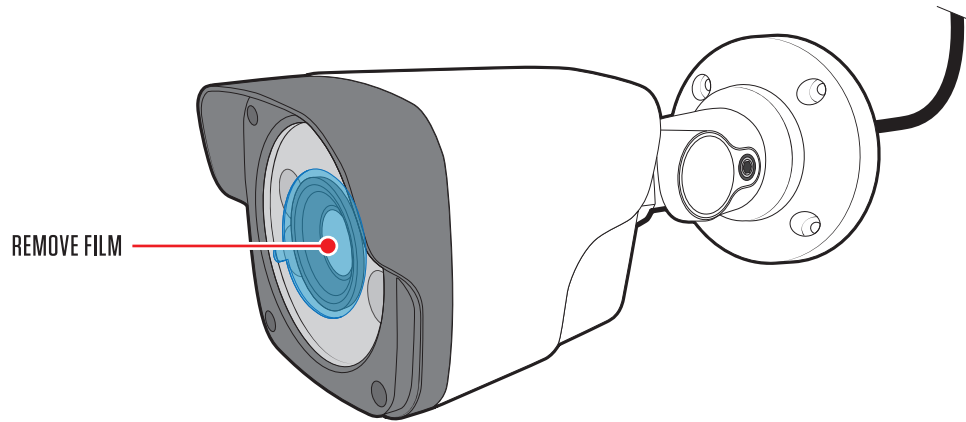
- DC 12 Volt Power Supply \*Sold Separately
- Phillips Head Screwdriver

## Optional Items:

- Drill with 3/4" Drill Bit
- Butt-Splice Connectors

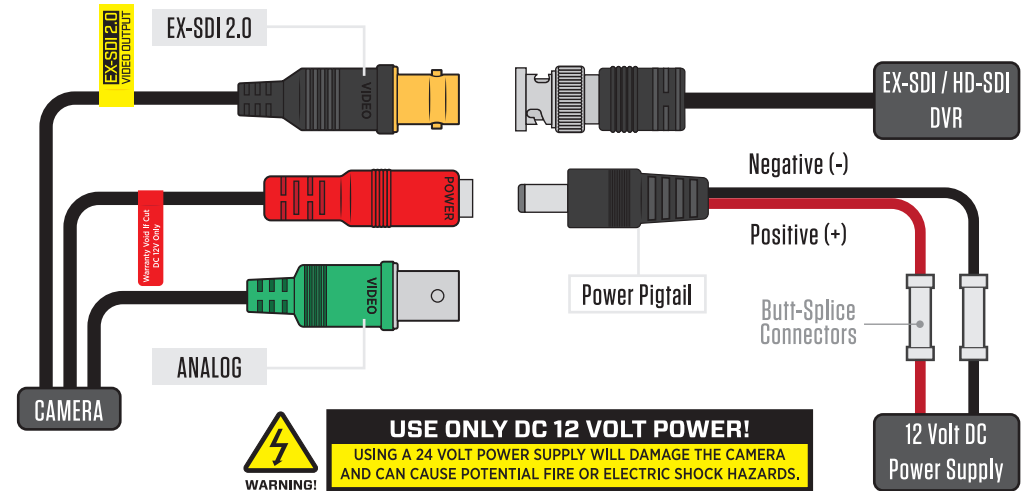
### 1. REMOVE FILM

Remove the protective film over the lens of the camera. An out-of-focus, discolored, and poor night-time image can result if this film is not removed.



### 3. CONNECT CABLES

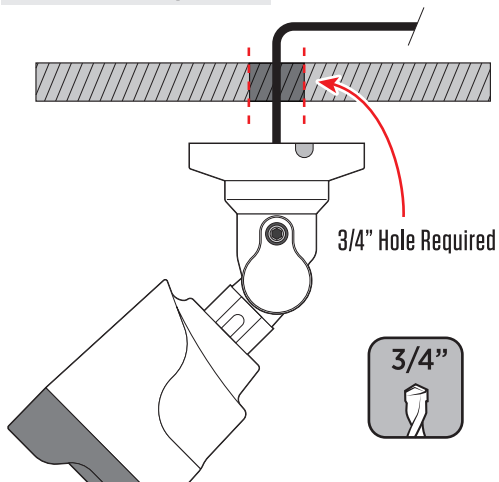
Make connections to the BNC cable (BLACK connector is for EX-SDI 2.0, GREEN connector is for Analog) and the power connection. **Use 12 Volt DC only for camera power!** If using 18/2 wire for the power wire: use the supplied 12V Power Pigtail and attach to wire with appropriate wire connector, such as a butt-splice connector.



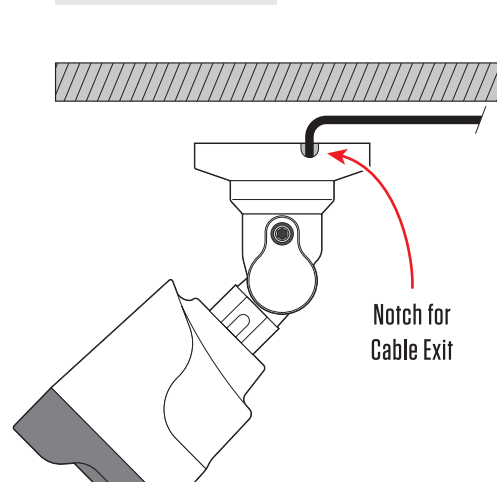
### 2. PREPARE MOUNTING SURFACE

Depending on the installation type; cable routed through the surface or cable routed on surface exterior- a hole may be required. If the cable will be routed through the surface, a 3/4" hole is required to fit the cable, connections & joystick through the surface.

#### Cable Routed Through Surface

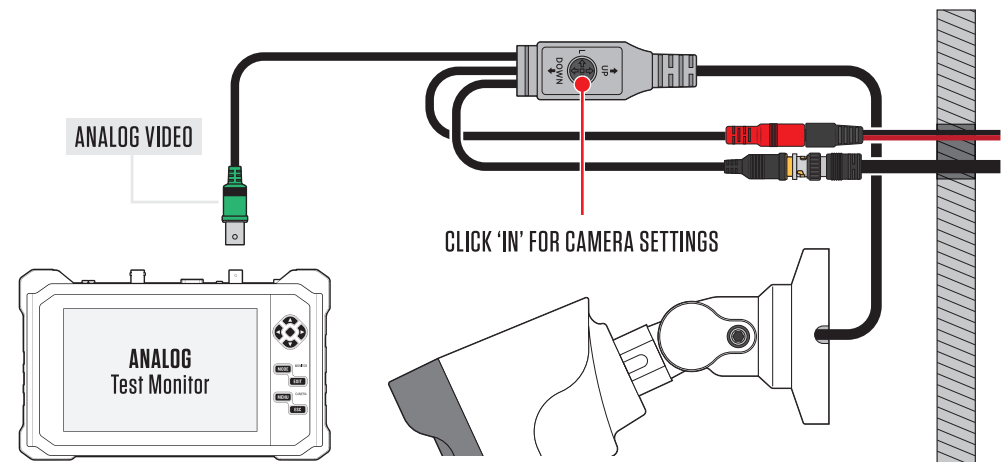


#### Cable Routed On Surface



### 4. CHECK CAMERA ANGLE / ADJUST CAMERA SETTINGS

Before proceeding with final assembly it is suggested to test the camera with a test monitor to verify proper camera angle/zoom. To test; plug an analog test monitor into the Analog BNC (GREEN) connection from the camera. OSD (On Screen Display) adjustments can be made by using the Joystick on the cable.

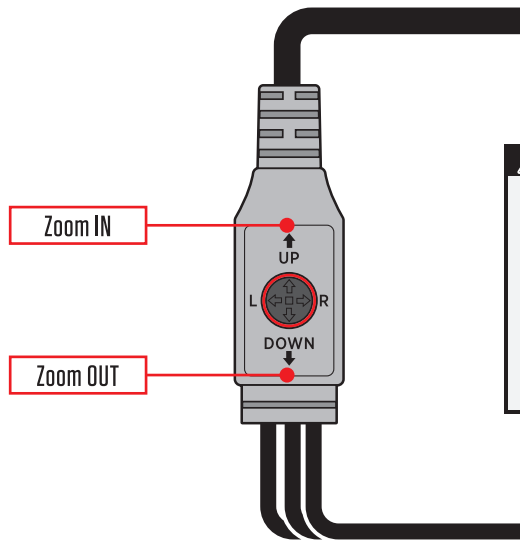


\*visit [ClintonElectronics.com](http://ClintonElectronics.com) for OSD Manual

## 5. ADJUST ZOOM / FOCUS

The lens will focus automatically once powered; this can take several seconds. To set the zoom; use the OSD Joystick on the cable. Press UP to zoom in & press DOWN to zoom out.

After the zoom adjustment has been made the camera will auto focus again; this can take several seconds.

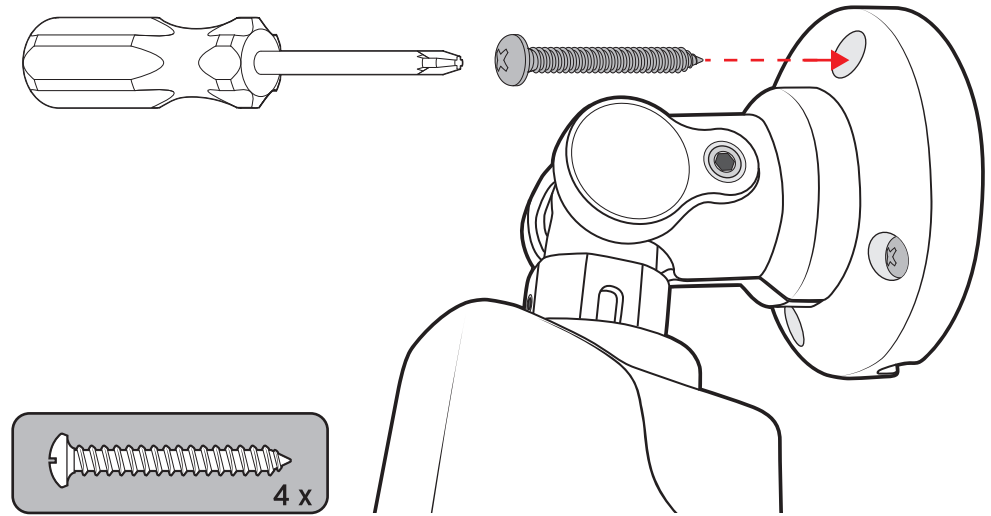


### NOTICE

Upon initial installation/power ON of camera the camera will begin to focus on the current scene. If there is an obstruction of the lens; installer in-front of camera, protective film over camera lens- the camera might focus on those objects and could appear out of focus. To refocus the camera either adjust the level of zoom (zoom in / zoom out) or power cycle the camera (power off - power on).

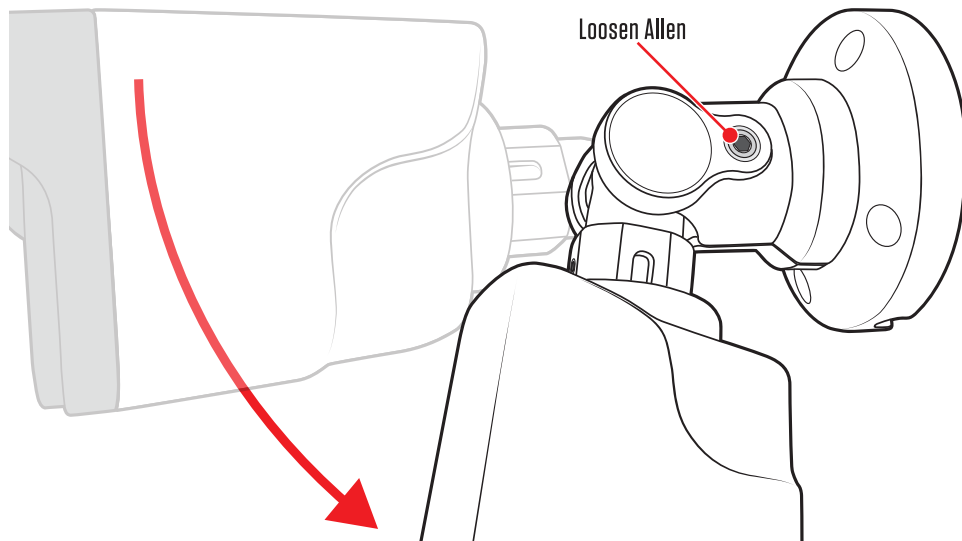
## 7. ATTACH CAMERA TO MOUNTING SURFACE

Hold the mounting base onto the surface, and attach using the (4) supplied Phillips screws. Feed any cable slack into the mounting surface. *\*NOTE: It is recommended to use the drywall anchors if mounting to drywall.*



## 6. LOOSEN ALLEN

Loosen the Allen-head screw on the side of the arm that attaches the camera to the base. Swing the camera down and out of the way to allow easier access to the screw holes when mounting the base.



## 8. FINAL ADJUSTMENT & TIGHTEN COLLAR

Loosen the two Allen-head screws located on the rear of the camera housing, then adjust the angle of the camera as needed. Once the desired position is set, tighten all three allen-head screws to lock the position in place.

