

## CE-B10HDL

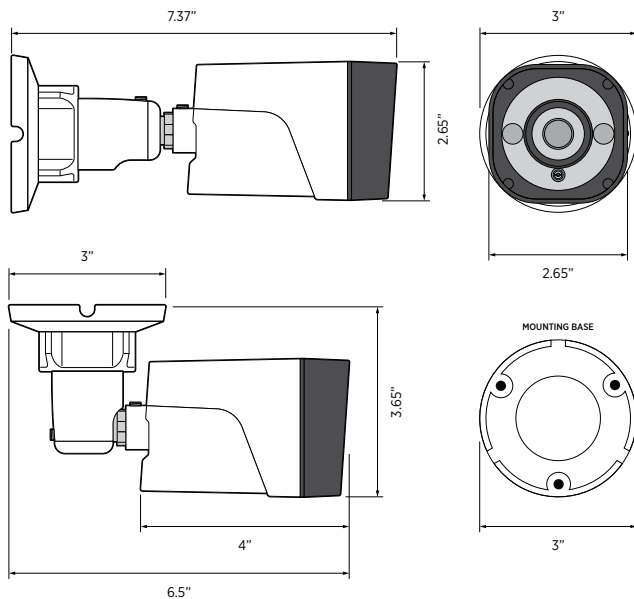
EX-SDI 2.0 Outdoor IR Mini Zoom Bullet



### KEY FEATURES:

- 1/2.8" SONY Starvis 2.13 Megapixel CMOS Sensor
- 1080p @ 30fps Over RG59 Coax
- 2.8-8mm (f1.4) True D/N Autofocus Lens
- 2 High Intensity IR LEDs
- EX-SDI 2.0 / HD-SDI & HD Analog output
- EXHD Lite 2.0
- OSD Menu Control via Built-in Joystick (on cable) or UCC\*
- IP68 Weather Rated
- DC12V

### DIMENSIONS:



CAMERA	
Image Sensor	1/2.8" SONY Starvis 2.13 Megapixel CMOS Sensor
Resolution	Full HD 1080p
Effective Pixels	1944 (H) x 1092 (V)
Scanning System	Progressive Scan
S/N Ratio	More than 52dB (AGC Off)
Frame Rate	1080p_30 / 720p_30
Minimum Illumination	0.001 Lux
Shutter Speed	1/30 - 1/60,000 sec. / AUTO
Lens	2.8-8mm (f1.4) Autofocus True D/N Lens
Field of View	114.2° - 54.7° (Horizontal)
Video Output (SDI & Analog selectable)	1x EX-SDI 2.0 / EX-SDI / HD-SDI: 1080p or 720p @ 30fps 1x HD Analog: CVBS / A_HD / C_VI / T_VI
Power Consumption	450mA ±10% max. (IR LEDs On & Zoom/Focus)
Power Requirement	DC12V
Operating Temperature	-20°F - 122°F / -28.8°C - 50°C
Operating Humidity	90% RH Max.
Weather Rating	IP68
IR LEDs	2 High Intensity IR LEDs
Heaters/Fan	n/a
Materials	Aluminum Housing / Plastic Mounting Base
Dimensions (straight)	7.37" x 3" x 3" / 187mm x 76mm x 76mm
Weight	1.15 lbs / 0.521 kg

OSD	
DSP Type	EXHD - Lite 2.0
Menu Control	OSD Menu Control via Built-in Joystick (on cable) or UCC*
Zoom Focus	AF Mode, Scanning, OnePush AF, Sync TDN, Lens Reset, Initialize
Exposure	Lens, Shutter, Sens-Up, AGC
White Balance	ATW, AWB, AWC-SET, Manual
Image Adjust	Sharpness, Gamma, Brightness, Saturation, Black Level
Backlight	HLC, BLC, WDR
Day & Night	Auto, Extern, Color, B&W
DNR (3DNR)	Off, Low, Middle, High
Special	Rotate, D-Zoom, ACE, Defog, Lens Shading, Privacy, Motion
Serial	Cam ID, Baudrate, ID Display
System	SDI Output (EX-SDI 2.0 / EX-SDI / HD-SDI), HD Analog (CVBS / A_HD / C_VI / T_VI), Frame Rate, Video System, CVBS Filter, Language, Cam Title, Reset

\*UCC (Up the Coax Control) allows camera adjustments (zoom/focus & OSD settings) to be made remotely through a UCC equipped DVR channel.