

CE-D10HDL Install Guide

Included Items:

- Mini Dome Camera x 1
- Phillips Screws x 2
- Barrel Plug w/ Pigtail x 1
- Instructions x 1

Required Items:

- Phillips Head Screwdriver or Drill with Phillips Head Bit
- DC12V Power Supply *Sold Separately

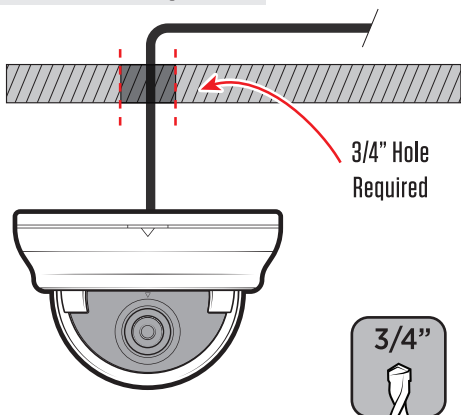
Optional Items:

- Analog Test Monitor
- 3/4" Drill Bit

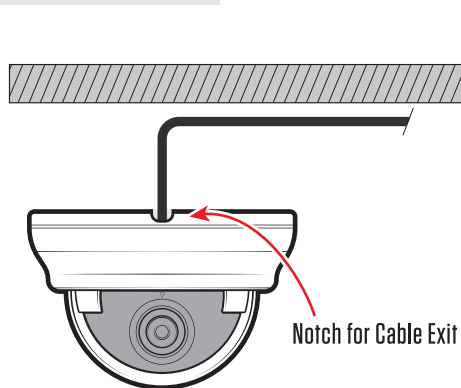
1. PREPARE MOUNTING SURFACE

Depending on the installation type; cable routed through the surface or cable routed on surface exterior- a hole may be required. If the cable will be routed through the surface, a 3/4" hole is required to fit the cable and connections through the surface.

Cable Routed Through Surface

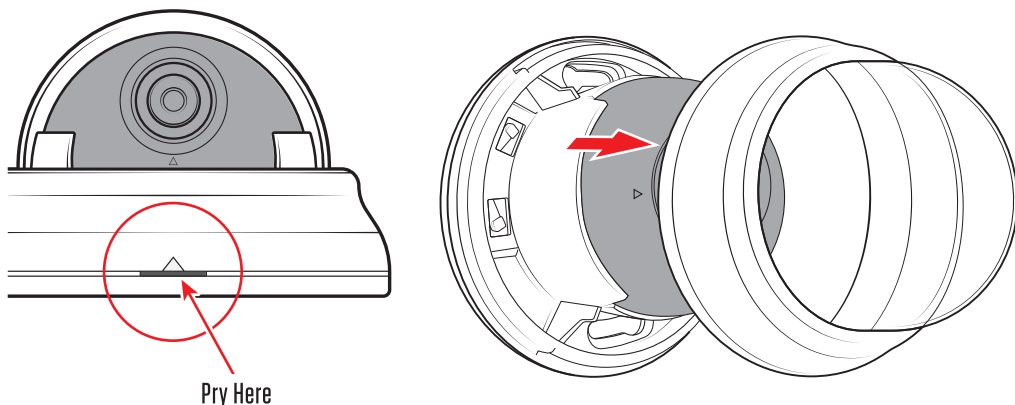


Cable Routed On Surface



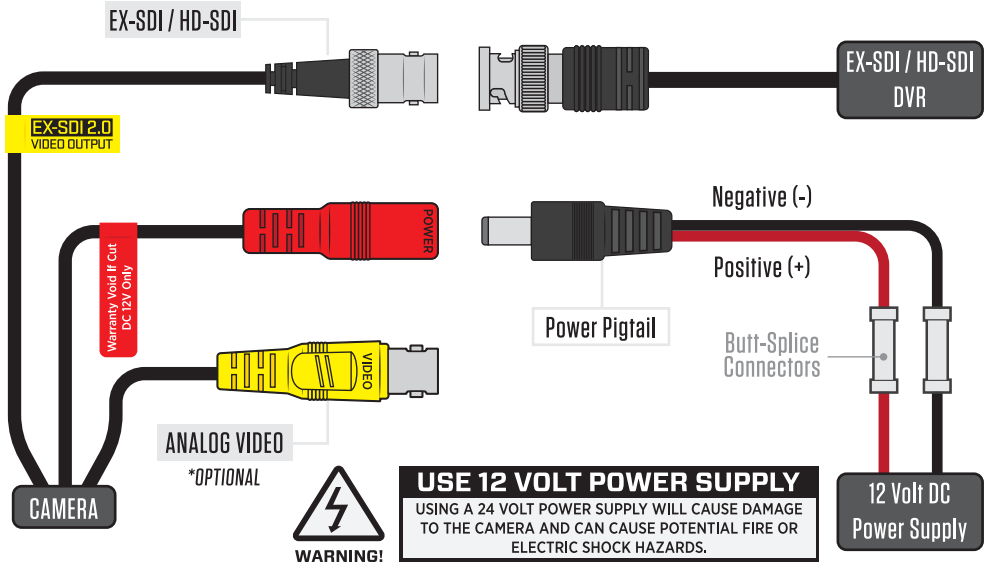
2. REMOVE DOME COVER

Locate the arrows on either side of the base of the camera then pry the cover off either by hand or by using a coin or flat-blade screwdriver.



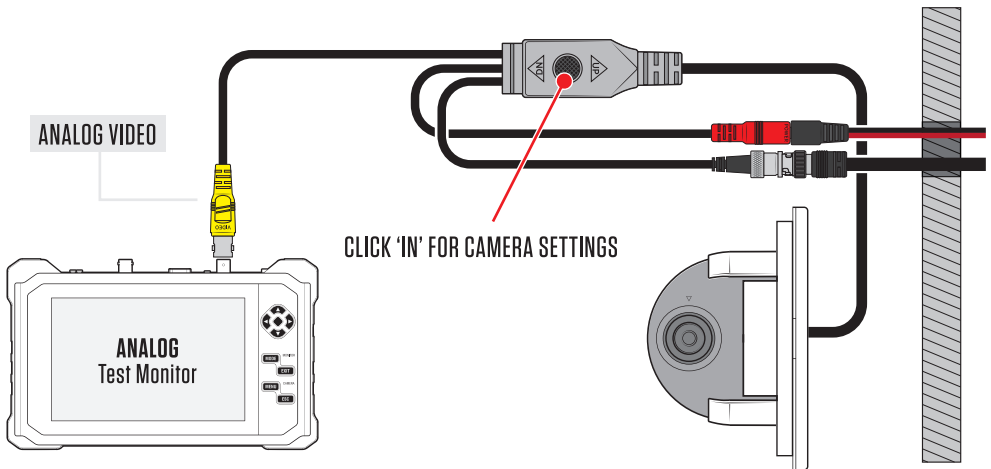
3. CONNECT CABLES

Make connections to the power connection and BNC cable (BLACK connector is for EX-SDI, YELLOW connector is for Analog video). Use 12 Volt DC only for camera power! If using 18/2 wire for the power wire: use the supplied 12V Power Pigtail and attach to wire with appropriate wire connector, such as a butt-splice connector.



4. CHECK CAMERA ANGLE / ADJUST CAMERA SETTINGS

Before proceeding with final assembly it is suggested to test the camera with a test monitor to verify proper camera angle. To test; plug an analog test monitor into the Analog BNC (YELLOW) connection from the camera. OSD (On Screen Display) adjustments can be made by using the Joystick on the cable.



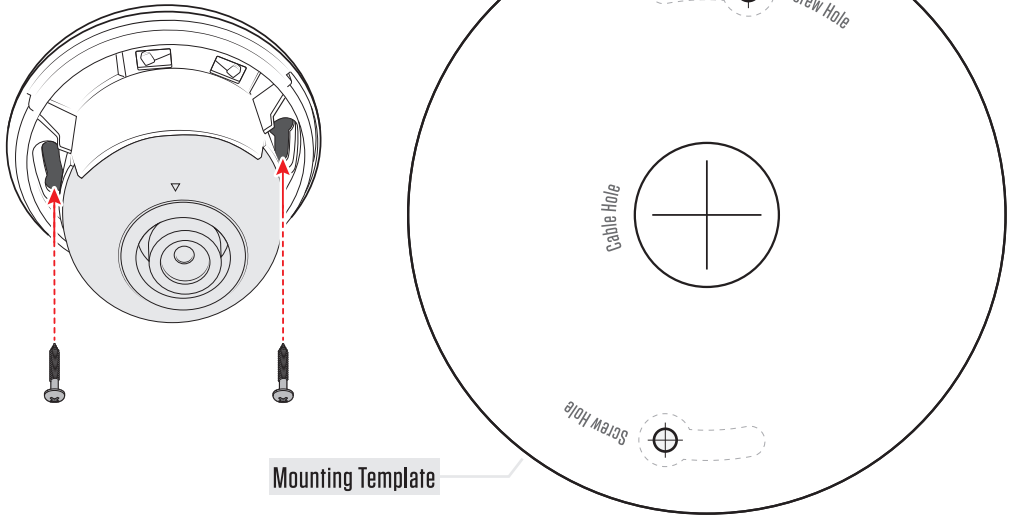
This camera does NOT support UCC.

**visit ClintonElectronics.com for OSD Manual*

5. INSTALL CAMERA

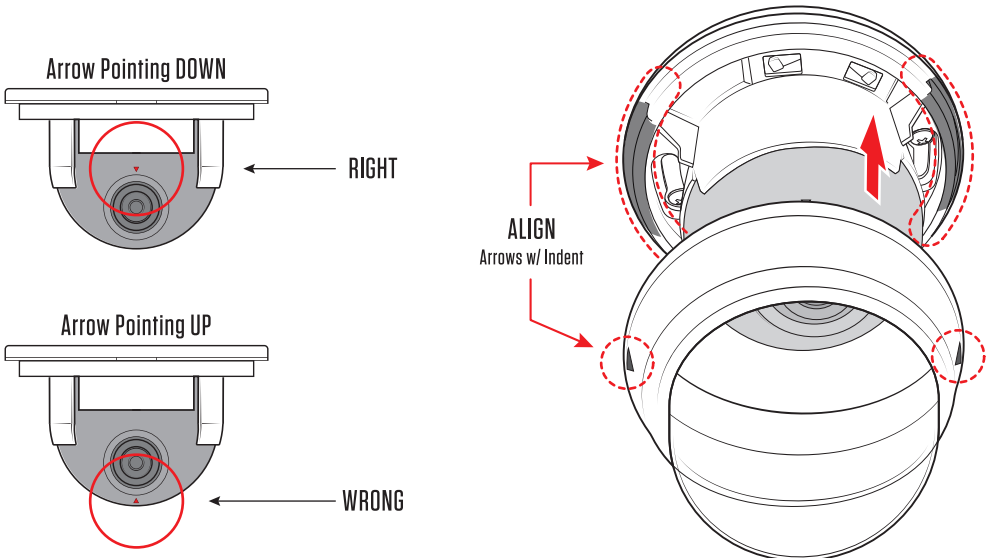
Mark the screw holes on the surface with the included mounting template. Install the camera to the mounting surface with the (2) included Phillips-head screws. Feed any cable slack into the mounting surface.

**NOTE: Use drywall anchors if mounting to drywall.*



6. REPLACE DOME COVER

Before replacing the dome cover, ensure the arrow above the lens is pointing 'DOWN.' If the arrow is not pointing 'DOWN' the camera image will be upside-down. Rotate the ball as necessary. After final adjustments are complete, align the arrows on the dome to the indent on the base of the camera, then snap the dome cover in place.



EX-SDI Install Tips

SDI (Digital) default video output : EX-SDI 2.0

ANALOG default video output : CVBS

COMPATIBILITY

While EX-SDI, HD-SDI and Analog share the same type of cable and connectors, that is where the similarities end.

When making video connections, ensure the correct BNC connector is used (BLACK Connector is EX-SDI, YELLOW Connector is Analog).

- EX-SDI will not work on Analog only DVRs & Devices
- EX-SDI will not work on CVI, TVI, AHD DVRs & Devices
- EX-SDI will not work on HD-SDI only DVRs & Devices



EX-SDI / HD-SDI



ANALOG VIDEO

DISTANCES

The camera is defaulted to EX-SDI 2.0, which is capable of transmitting video up to 1,400' over RG59 coax cable.

HDSDI 275 Feet

Distances will vary depending on coax integrity.

EX-SDI 800 Feet

Cable splices, improper BNC termination, damaged shielding, kinks and severe bends in the cable will reduce the possible distance of the video transmission.

EX-SDI 2.0 1,400 Feet

*Greater distances are possible using RG6 Quad-Shield cable.

SDI Output

To change the digital video output of the camera (SDI Output): Enter the camera's OSD menu- then access the SYSTEM Menu and scroll to SDI Output and move left or right to change to the desired output.

09. SYSTEM	
SDI OUTPUT	EX-SDI 2.0
FRAME RATE	1080 30p
VIDEOSYS	NTSC
CVBS FILTER	OFF
LANGUAGE	ENG
CAM TITLE	OFF
RESET	ON ↵
RETURN	↵

→ HD-SDI / EX-SDI 1.0 / EX-SDI 2.0

This camera does NOT support UCC.

If you need further help call Clinton Electronics Technical Support at 800-549-6393.

*Information in this document is subject to change without notice

v.04.09.20