

CE-EX-VDA4

4 Channel EX-SDI Splitter (1 In / 2 Out x4)

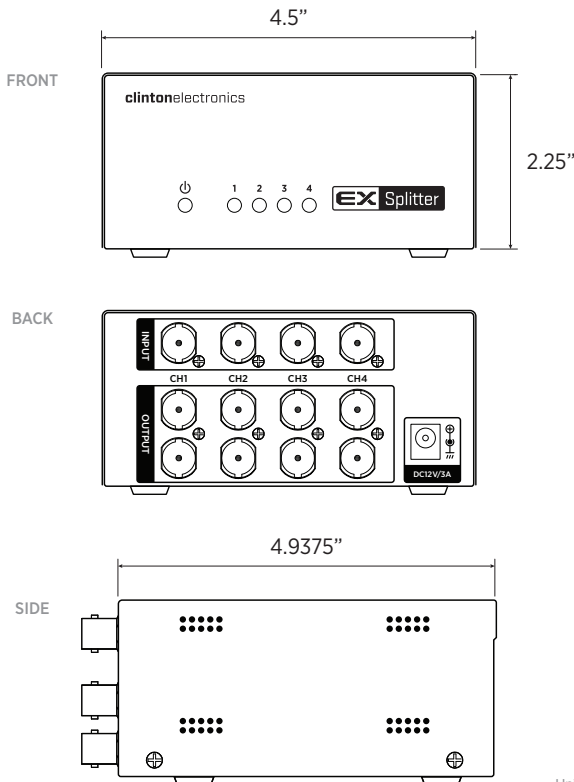


Key Features:

- 4 IN / 8 OUT (1 Input / 2 Outputs per Channel)
- Accepts EX-SDI 4MP, EX-SDI 2.0, EX-SDI, & HD-SDI Inputs (Auto-Detects)
- Outputs HD-SDI if 2MP HD/EX-SDI camera input
- Outputs 4MP EX-SDI if 4MP EX-SDI camera input
- DC12V - Power Supply Included

**not compatible with EX-SDI 2.0 UCC function*

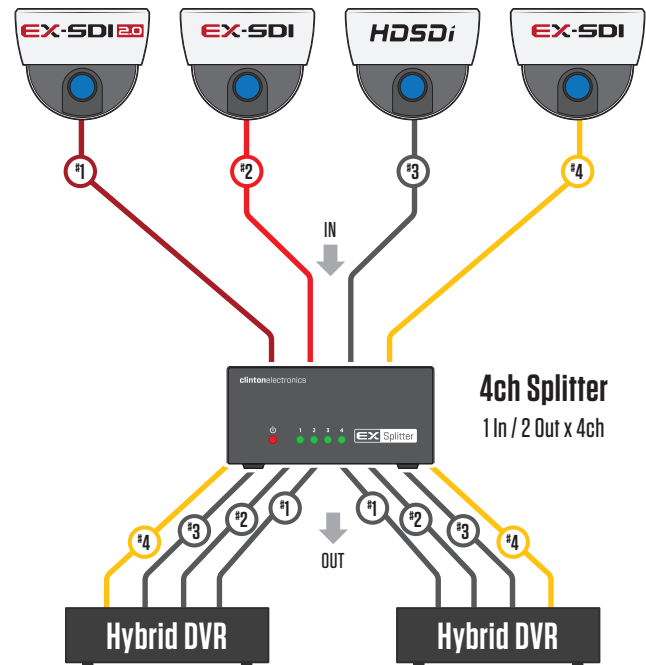
DIMENSIONS:



Unit : Inches

VIDEO INPUT	
Channels	4ch BNC (75Ω)
Format	EX-SDI 4MP, EX-SDI 2.0, EX-SDI, HD-SDI (auto detects)
Resolution	Quad HD — 2560x1440p @ 30fps Full HD — 1920x1080p @ 30fps HD — 1280x720p @ 30/60 fps
VIDEO OUTPUT	
Channels	8ch BNC (75Ω)
Format (if 4MP EX-SDI Input)	EX-SDI 4MP Quad HD — 2560x1440p @ 30fps
Format (if HD/EX-SDI Input)	HD-SDI Full HD — 1920x1080p @ 30fps HD — 1280x720p @ 30/60 fps
GENERAL	
Power Requirement	DC12V - 3A
Power Consumption	330 mA
Operating Temperature	32°F - 122°F / 0°C - 50°C
Operating Humidity	0-80% RH
Dimensions (W x H x D)	4.5" x 2.25" x 4.9375" / 114.3mm x 57.25mm x 125.41mm
Weight	1.5 lbs / 0.68 kg

CONNECTION DIAGRAM (Example):



	Input	Supported	Max. Distance	Output x 2
4MP	EX-SDI 2.0	✓	800 ft	4MP EX-SDI
	EX-SDI 2.0	✓	1400 ft	HD-SDI
2MP	EX-SDI	✓	800 ft	HD-SDI
	HDSDi	✓	275 ft	HD-SDI