

## CE-CPSM(B)

Swivel Mount for Telescoping Camera Poles



**Maximum Load Capacity: 10 lbs / 4.53 kgs**



### KEY FEATURES:

This swivel mount is ideal for warehouses or other harsh environments and allows the camera pole to swing safely out the way when struck by forklifts or rolling ladders.

- Includes Mounting Hardware & Safety Cable
- Mounts to all 3ft, 6ft, 8ft and 12ft Clinton telescoping camera poles
- Swivels up to 45°

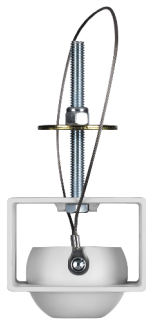
*\*Telescoping Camera Pole Shown Sold Separately*



| GENERAL   |   |
|---|---|
| Materials   | Aluminum                                    |
| Dimensions (L x W x H)<br><i>*swivel mount only, bolt &amp; camera pole not installed</i> | 3.35" x 3.35" x 2.95"<br>85mm x 85mm x 55mm |
| Weight  | 1.05lbs / 0.47kg                            |

| CAMERA POLE COMPATIBILITY |  |
|---------------------------|--|
| CE-CP3W                   | Adjustable from 1' 3" to 2' 7" - White     |
| CE-CP3B                   | Adjustable from 1' 3" to 2' 7" - Black     |
| CE-CP6W                   | Adjustable from 3' to 5' 9" - White        |
| CE-CP6B                   | Adjustable from 3' to 5' 9" - Black        |
| CE-CP8W                   | Adjustable from 3' 10.75" to 7' 6" - White |
| CE-CP8B                   | Adjustable from 3' 10.75" to 7' 6" - Black |
| CE-CP12W                  | Adjustable from 6' 2" to 11' 9" - White    |
| CE-CP12B                  | Adjustable from 6' 2" to 11' 9" - Black    |

**Not compatible with CE-CP412W(B) or CE-CP17W(B)**

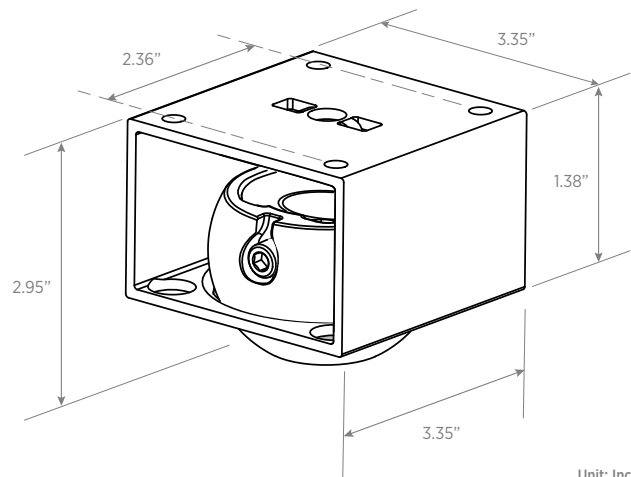


**CE-CPSM**  
(White)



**CE-CPSMB**  
(Black)

### DIMENSIONS:



Unit: Inches