

## CE-711

Gondola Shelving Junction Mount



**Maximum Load Capacity: 8 lbs / 3.63 kgs**



### KEY FEATURES:

- Serves as a junction point on top of gondola shelving
- Allows for fully concealed cables
- 4 front knockout plugs allow for various height options
- Removable top cap accommodates 3/4" EMT conduit adapter
- Adjustable clamping base adjusts from 2" - 3" wide
- Use in conjunction with CE-M4, CE-M5, or CE-M7 monitor mounts.
- Mount PVM/monitor from 3"-9" above bottom base (at 2" increments)
- Includes modified M5 style mounting base for cable routing
- Mounting hardware included

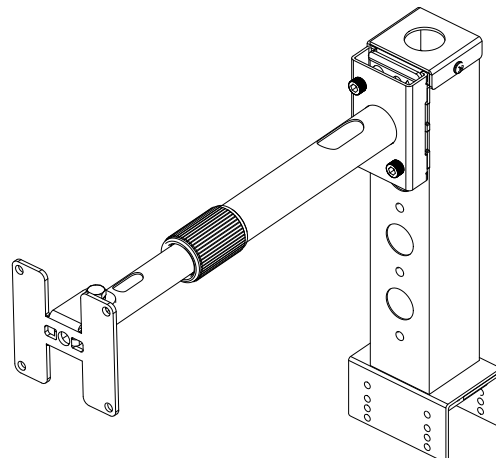
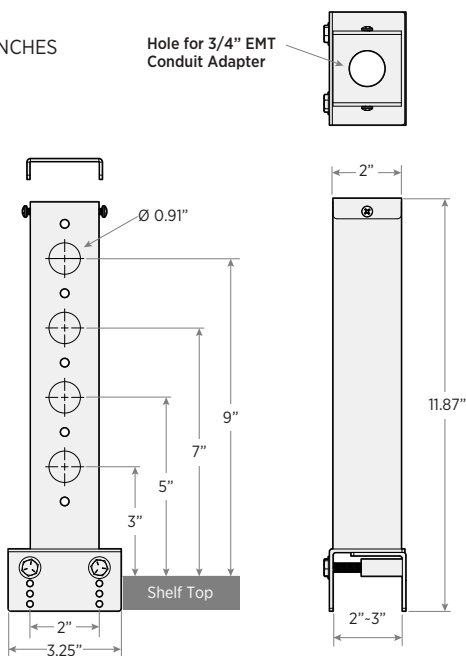
*\* Max weight (8lbs) is combined weight of monitor & bracket*

GENERAL	
Materials	Steel
Color	White
Dimensions L x W x H	2.37" x 3.25" x 11.87" 60.2mm x 82.6mm x 301.5mm
Weight	2.75 lbs / 1.25 kgs

### DIMENSIONS:

Unit: INCHES

Hole for 3/4" EMT  
Conduit Adapter



For use in conjunction with Clinton Electronics  
CE-M4, CE-M5, or CE-M7 mounting brackets.  
CE-M4 shown in illustration above sold separately.