

CE-TC1QHD

4MP EX-SDI Teller Camera



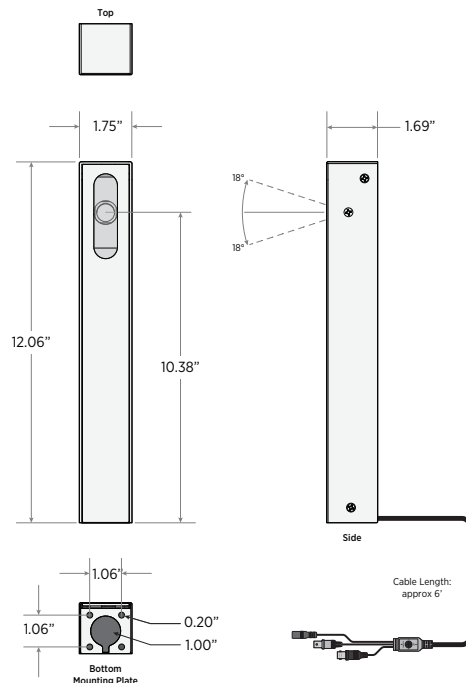
CAMERA	
Image Sensor	1/2.8" SONY Starvis 5.14MP CMOS Sensor
Resolution	Quad HD 1440p / 4MP
Effective Pixels	2560 (H) x 1440 (V)
Scanning System	Progressive Scan
S/N Ratio	More than 52dB (AGC Off)
Frame Rate	1440p_30 / 1080p_30
Minimum Illumination	1 Lux (COLOR) 0.1 Lux (B&W)
Shutter Speed	1/30 - 1/30,000 sec. / AUTO
Lens	2.8mm (f2.0) True D/N Fixed Lens
Filed of View	113° (Horizontal), 61.5° (Vertical)
Video Output (4MP / 2MP selectable) (HD Analog selectable)	(4MP) EX-SDI: 1440p @ 30fps (2MP) EX-SDI 2.0 / EX-SDI / HD-SDI: 1080p @ 30fps HD Analog: CVBS / A_HD / C_VI / T_VI
Power Consumption	DC12V: 170mA (+/- 10%)
Power Requirement	DC12V
Operating Temperature	32° to 113° F / 0° to 45° C
Operating Humidity	95% RH Max.
Weather Rating	N/A - Indoor Use Only
IR LEDs	N/A
Heaters/Fan	N/A
Materials	Steel Housing & Acrylic Front
Dimensions (H x W x D)	12.06" x 1.75" x 1.69" / 306.32mm x 44.45mm x 42.92
Weight	1.35 lbs / 0.612 kg

OSD	
DSP Type	EXHD 4MP
Menu Control	OSD Menu Control via Built-in Joystick or UCC*
Exposure	Shutter, Sens-Up, AGC
White Balance	ATW, AWB, AWC-SET, Manual
Image Adjust	Sharpness, Gamma, Brightness, Saturation, Black Level
Backlight	HLC, BLC, WDR (DOL-WDR or Frame WDR)
Day & Night	Auto, Extern, Color, B&W
DNR (3DNR)	Off, Low, Middle, High
Special	Rotate, D-Zoom, ACE, Defog, Lens Shading, Privacy, Motion
Serial	Cam ID, Baudrate, ID Display
System	SDI Output (EX-SDI 4MP / EX-SDI 2.0 / EX-SDI / HD-SDI), Analog Output (CVBS, CVI, TVI, AHD), Frame Rate, Video System, CVBS Filter, Language, Cam Title, Reset

KEY FEATURES:

- 1/2.8" SONY Starvis 5.14MP CMOS Sensor
- 1440p @ 30fps Over RG59 Coax
- 2.8mm (f2.0) True D/N Fixed Lens
- Dual Video Outputs: 4MP EX-SDI 2.0 / 2MP EX-SDI 2.0 / HD-SDI & HD Analog / Analog (outputs selectable)
- EXHD 2.0 - 4MP DSP
- Steel Housing & Acrylic Front
- Adjustable Camera Tilt (18° up or down)
- OSD Menu Control via Joystick on Cable (6' cable length) or UCC*
- DOL-WDR @ 30fps w/ Simultaneous Analog Output
- DC12V

DIMENSIONS:



*UCC (Up the Coax Control) allows camera adjustments to be made remotely through a UCC equipped DVR channel.