

CE-HSC1QHD Install Guide

Included Items:

- Height Strip Camera x 1
- Power Pigtail x 1
- 1" Self Tapping Phillips screws x 3
- Instructions x 1
- Window Mask Decals x 2
- Bubble Level x 1

Required Items:

- DC12V Power Supply
- Phillips Head Screwdriver
- Power Drill with Phillips Head Bit

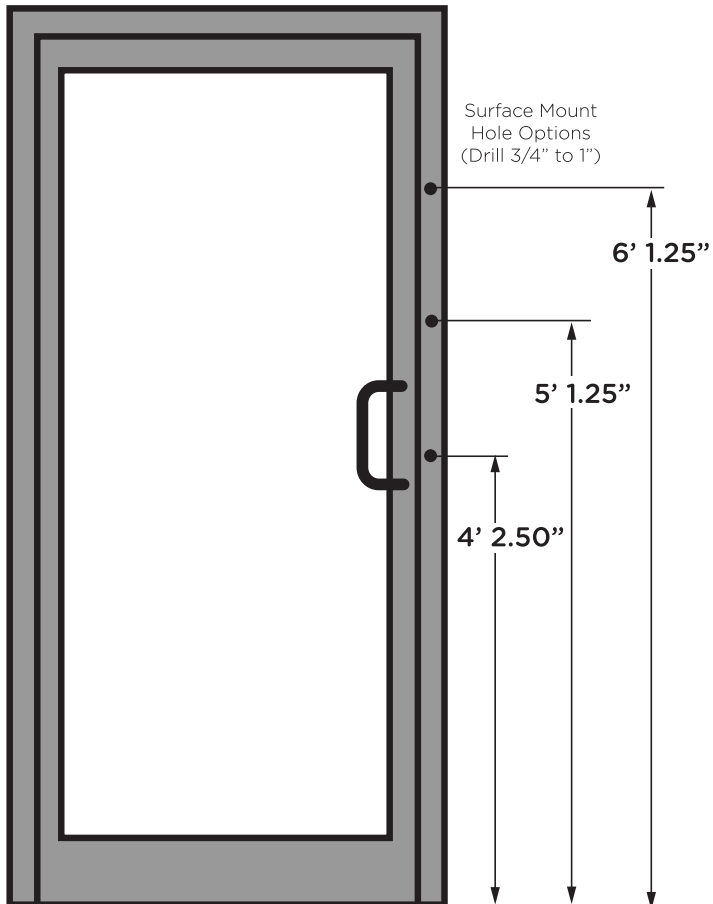
Optional Items:

- Test Monitor
- Pencil
- Pliers (for Knockout removal)

1a. PLAN YOUR INSTALLATION

Hidden Wire Method:

Drill a hole at one of three locations in the mounting surface large enough to route power and video cables directly into the back of the height strip (typically $\frac{3}{4}$ " to 1.0" hole). When installed at the correct height, Height Strip knockout holes will be located at heights of 4'-2.50", 5'-1.25", and 6'-1.25" off of the ground.

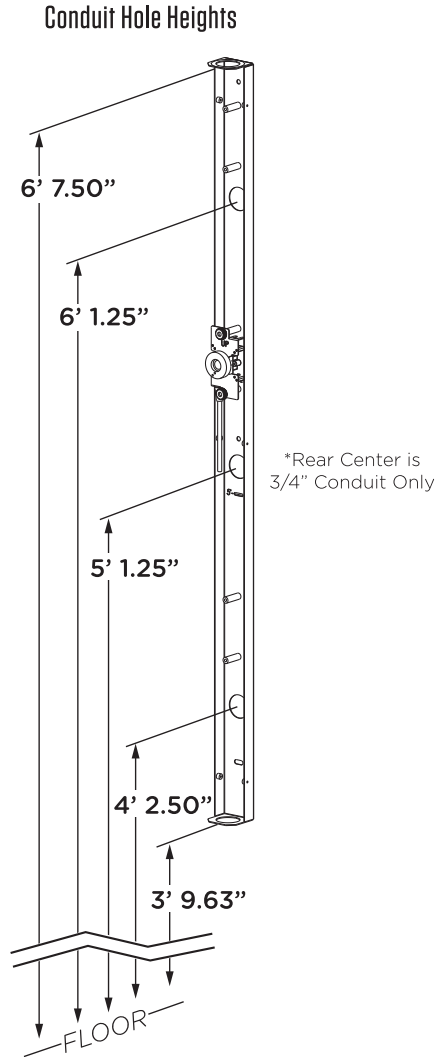
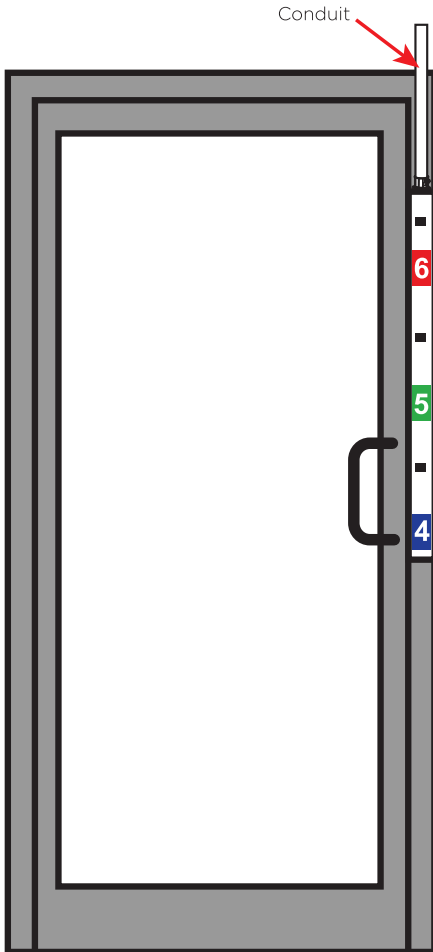


1b. PLAN YOUR INSTALLATION

Conduit Wiring Method:

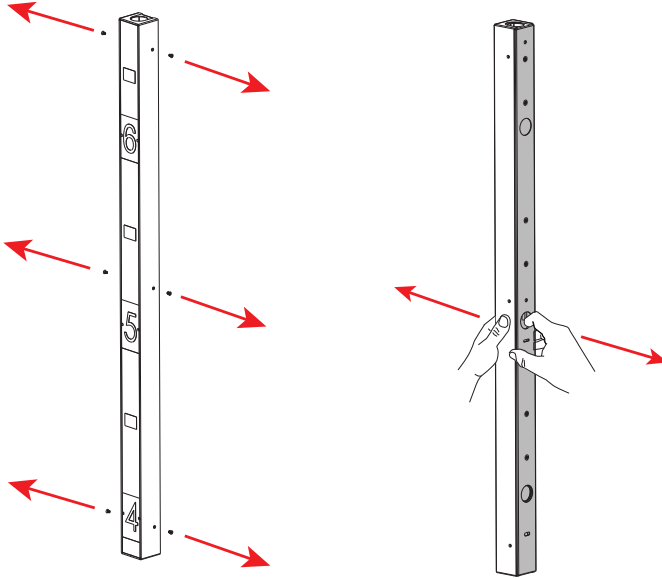
Cables can be run into the Height Strip externally through 1/2" or 3/4" conduit*. The Height Strip Camera has conduit knockouts on top, bottom, and rear of the unit. Use a conduit adapter (not included) to attach conduit to Height Strip. See Step 5 for further conduit installation details.

See below illustration for conduit hole locations from floor height.



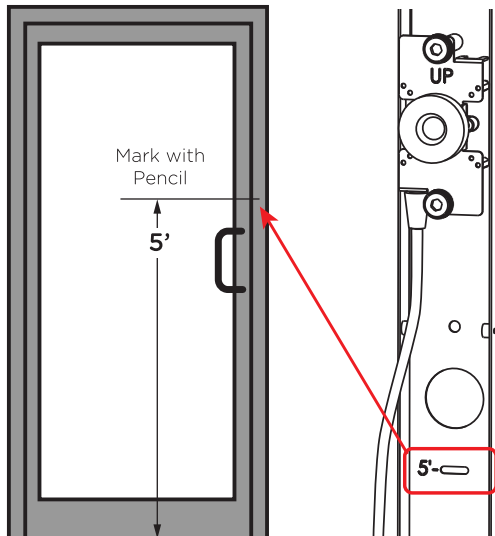
2. REMOVE FRONT COVER

Remove the 6 side screws from the case, and separate the front cover from the housing by pulling outward with the rear-center conduit knock-out.



3. MARK SURFACE

With a pencil, mark a horizontal reference line at 5' off the ground onto the mounting surface. Align the 5' cutout in the Height Strip to the 5' mark on the mounting surface.

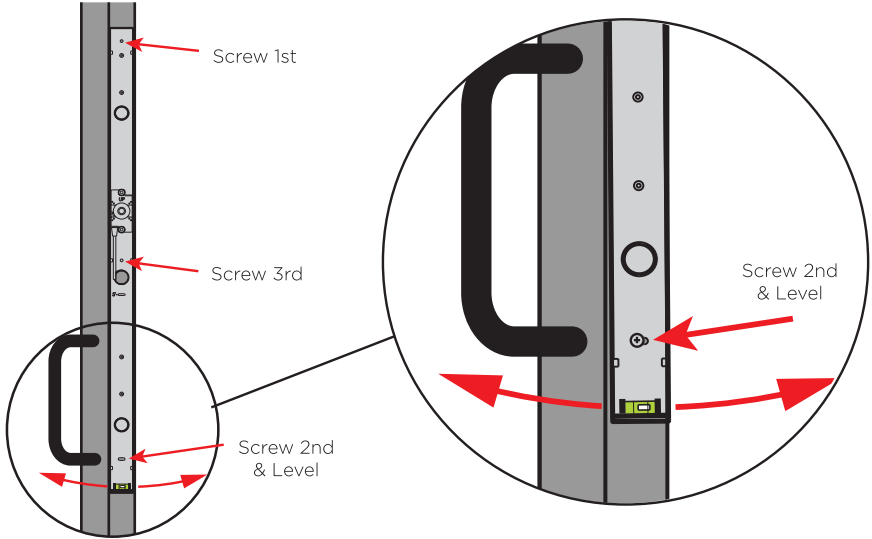


4. MOUNT TO SURFACE

Vertically center the Height Strip on the mounting surface, and loosely screw in one of the included Self-tapping screws through the top mounting hole.

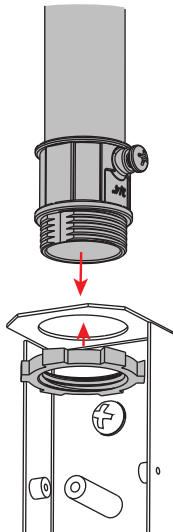
Using the included bubble level, ensure the Height Strip approximately level, and insert a screw into the center of the bottom slotted hole. Adjust the Height Strip to achieve level, and tighten down screw.

Insert the final center screw and tighten down screws.



5. CONDUIT INSTALLATION (Optional)

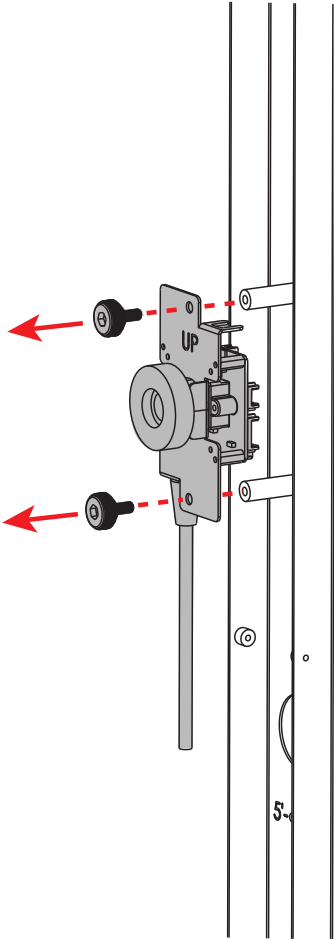
If connecting conduit, remove the desired conduit knock-out, and insert a 1/2" or 3/4" conduit adapter (not included) into the hole, and attach the conduit adapter nut on the inside of the height strip.



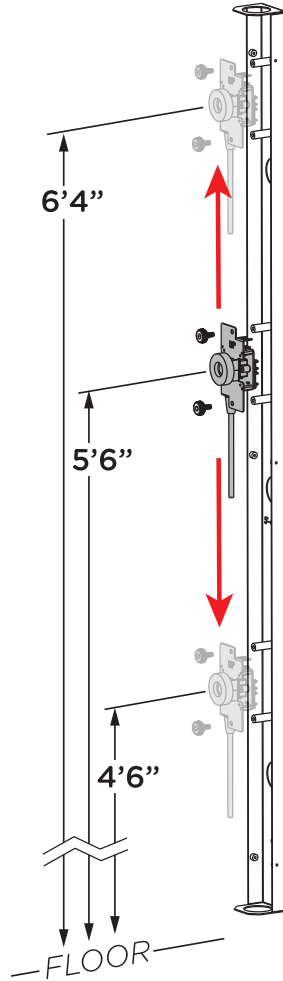
6. MOVE CAMERA (Optional)

If desired, reposition the camera at the desired height. Selectable heights are 4'6", 5'6", and 6'4" off of floor height. Remove the thumbscrews and pull the camera module directly outward from the height strip base. Re-insert the thumbscrews into the corresponding standoff.

Camera Removal

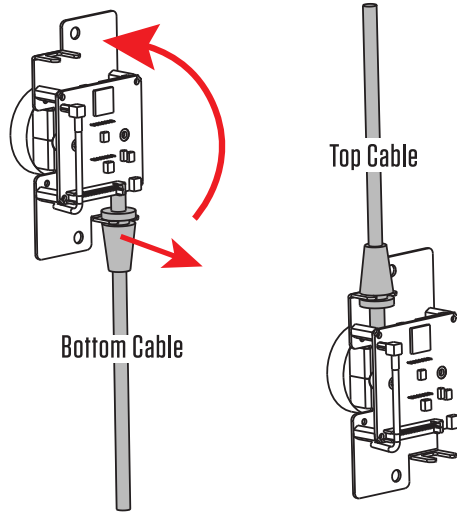


Camera Height Options



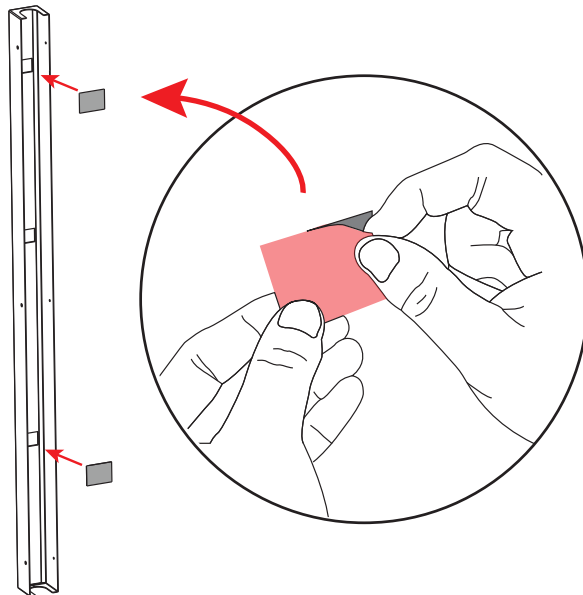
7. MOVE CABLE (Optional)

Depending on desired cable routing, the camera's cable can be removed, and repositioned to extend upward from the camera.



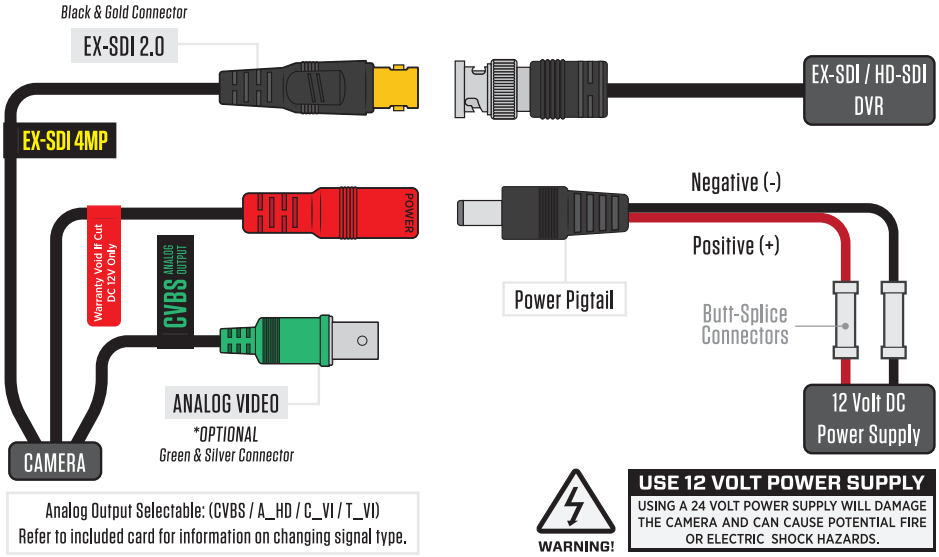
8. APPLY WINDOW MASK

Cover the two unused windows by applying the included masks to the windows on the inside of the front cover.



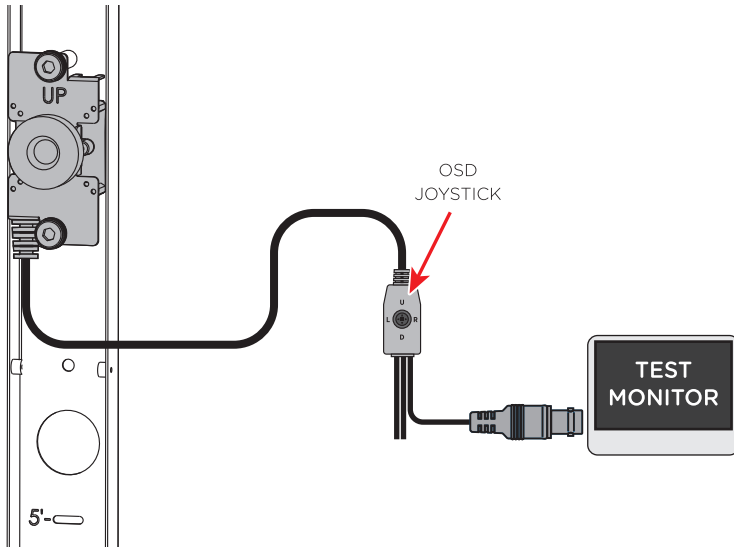
9. CONNECT CABLES

Make connections to the power and BNC cable (BLACK connector is for EX-SDI, GREEN connector is for Analog video). **Use 12 Volt DC only for camera power!** If using 18/2 wire for power wire, use the supplied Power Pigtail and attach to wire with appropriate wire connectors, such as butt-splice connectors (not included).



10. CAMERA IMAGE ADJUSTMENT (OSD Control)

The camera is factory setup with settings that will be fine for most installs. If adjustments need to be made to fine tune the image- use the OSD joystick that can be found on the main cable from the camera. Refer to OSD Manual for detailed instructions on adjusting camera settings.



11. REATTACH COVER

Slide the front cover back onto the Height Strip's base and insert the 6 side screws.

