

CE-CPCA-W (White) / CE-CPCA-B (Black)

3/4" EMT Threaded Conduit Adapter for Telescoping Camera Poles

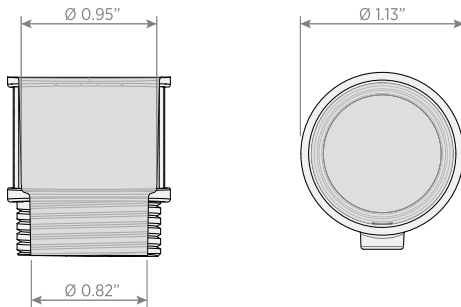
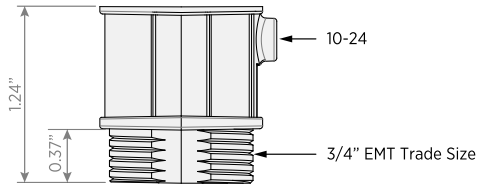


KEY FEATURES:

- Direct replacement for connector included with IDX Series Pendant Caps and Clinton Telescoping Camera Poles
- Installs onto a Telescoping Ceiling Mount Camera Pole or 3/4" conduit
- Compatible with threaded conduit holes in Vandal X case and Vandal X Deep Pendant Cap

GENERAL	
Dimensions (Dia x H)	1.13" x 1.24" 28.702mm x 31.496mm
Weight	0.05lbs / 0.022kgs

DIMENSIONS:



Unit : Inches