

# CE-UCT1X2 & CE-UCT2X2 Install Guide

\*Ceiling Tile Mount does not come with Pole. Pole is sold separately.



**Maximum Load Capacity: 75 lb (34 kgs)**



**Capacité de charge maximale: 34 kg (75 lbs)**

**CAUTION:** This Ceiling Mount is intended for use only with the maximum weights indicated.

Use with products heavier than the maximum weights indicated may result in collapse of the Ceiling Mount and its accessories causing possible injury.

The Ceiling Tile is not intended to be supported by the suspended ceiling grid to which it is mounted to.

Under NO circumstances should the Safety Wires be attached to Electrical Conduit, Gas or Water Piping.

The installer of these products must verify that the mounting surface, ceiling or wall, will safely support the combined weight of all attached equipment and hardware. Clinton Electronics will not be held liable for the improper use or installation of its products.

**ATTENTION:** Ce support de plafond est destiné à être utilisé uniquement avec les poids maximum indiqués.

Une utilisation avec des produits plus lourds que les poids maximum indiqués peut entraîner un affaissement du support de plafond et de ses accessoires et provoquer des blessures.

La tuile de plafond n'est pas conçue pour être supportée par la grille de plafond suspendu sur laquelle elle est montée.

En AUCUN cas, les fils de sécurité ne doivent être attachés à un conduit électrique, une tuyauterie de gaz ou d'eau.

L'installateur de ces produits doit vérifier que la surface de montage, le plafond ou le mur, supportera en toute sécurité le poids combiné de tous les équipements et quincailleries attachés. Clinton Electronics ne sera pas tenu responsable de l'utilisation ou de l'installation incorrecte de ses produits.

**Included Items:**

- Ceiling Tile Mount x 1
- Pole Carrier x 1
- Pole Clamp x 1
- Turnbuckles x 4
- 50' Annealed Safety Wire x 2
- T-Bar Safety Clips x 2
- M8 x 50mm Allen Head Screws x 2
- M4 x 10mm Phillips Head Screws x 5
- M4 Lock Washers x 5
- Safety Strap x 1
- Rivet x 1
- 6mm Allen Wrench x 1

**Required Tools:**

- #2 Phillips Head Screwdriver
- Wire Cutters

**Required Items: (not included - Choose applicable type)**

- 1/4" Dia. Eye Bolt x 4 (Steel Truss/Beam Mounting) National Hardware #2160
- 1/4" Rod Beam Clamp x 4 (Steel Truss / Beam Mounting) NVENT Caddy #1XJR3
- Spring Steel Purlin Clips x 4 (Steel Purlin Mounting) NVENT Caddy #AF14 or #VF14
- 1/4" Dia. Screw Eye x 4 (Wood Truss/Stud Mounting) National Hardware #2150

**THE INSTALLATION OF THIS CEILING MOUNT IS TO BE PERFORMED BY A QUALIFIED INSTALLER WHO IS FAMILIAR WITH LOCAL BUILDING CODES FOR ATTACHING DEVICES TO THE STRUCTURAL CEILING MEMBERS.**

## 1. Install Safety Wires

Locate four attachment points on the permanent structure above the suspended ceiling where safety wire can be attached. One wire is required for each corner of the Ceiling Tile Mount. Attach the safety wire to your chosen ceiling anchor (not supplied) with a minimum of three wraps around each fastener.

**For Steel Trusses or Beams,**

- Secure a 1/4" dia minimum eye bolt (National Hardware #2160) to the structure by drilling a 1/4" clearance hole through the truss or beam, and tighten nut to eye bolt.
- Secure a 1/4" Rod Beam Clamp (NVENT Caddy #1XJR3) to the structure by tightening the locking screw down onto the beam or truss.

**For Steel Purlins,** Secure a Spring Steel Purlin Clip (NVENT Caddy #AF14 for Z-Purlins, or #VF14 for C-Purlins) to the structure by pressing the Purlin Clip firmly onto the Purlin.

**For Wood Truss/stud ceilings,** Secure a 1/4" dia Screw Eye (National Hardware #2150) centered on the width of the wood framing member with a minimum penetration of 1" into the wood. Wood framing size must be 2x4 or larger.

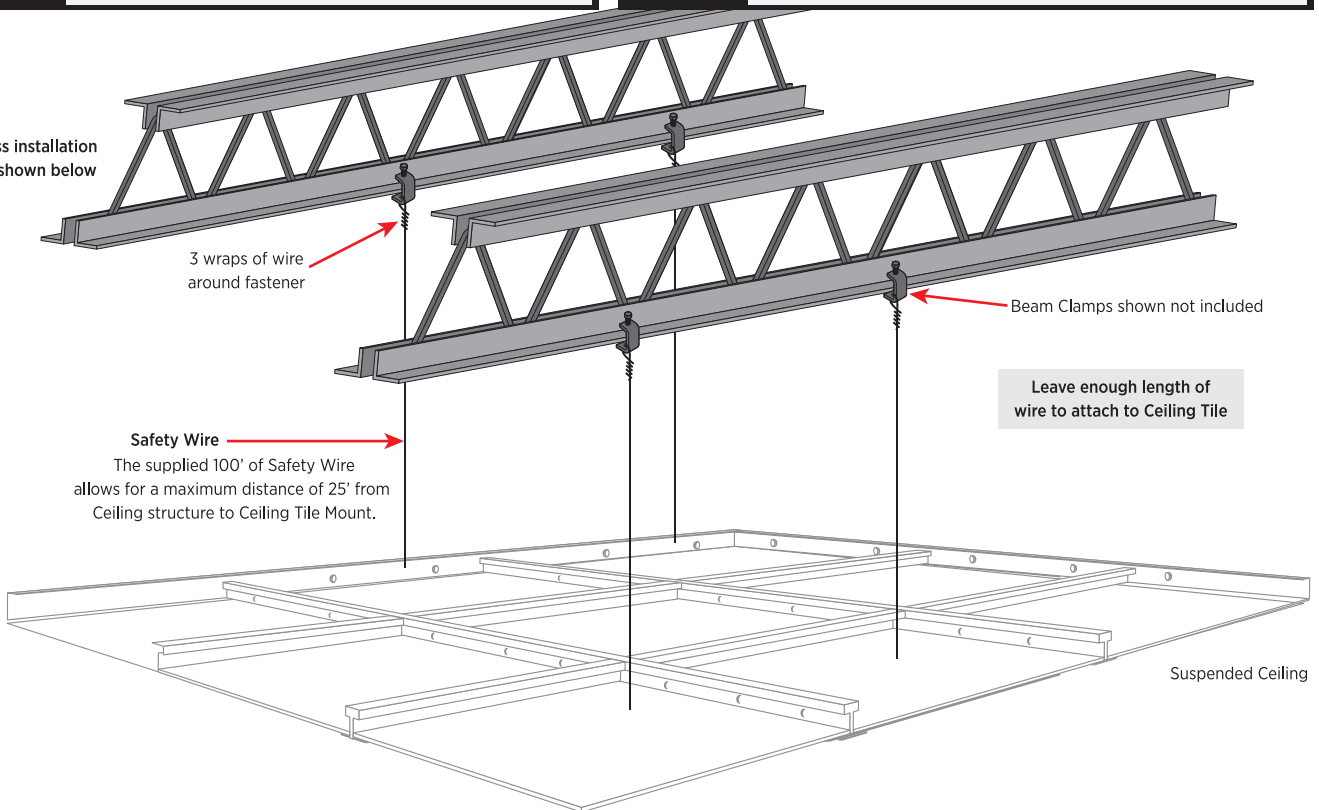


**CHOOSE THE CORRECT HARDWARE FOR YOUR CEILING TYPE FROM THE REQUIRED ITEM LIST ABOVE.**



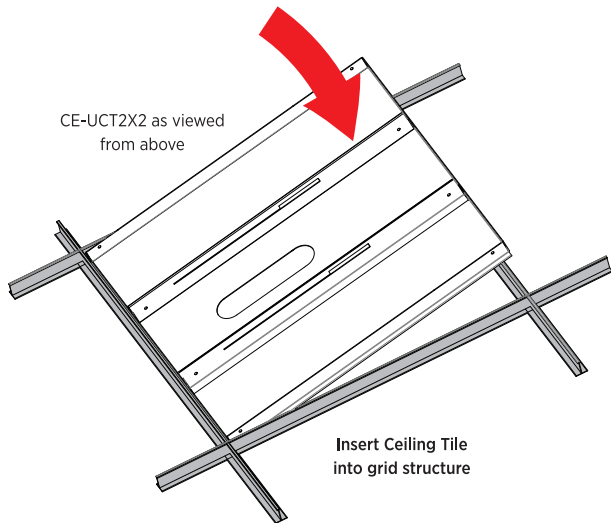
**CHOISISSEZ LE MATÉRIEL CORRECT POUR VOTRE TYPE DE PLAFOND DANS LA LISTE DES ARTICLES REQUIS CI-DESSUS.**

Steel Truss installation example shown below



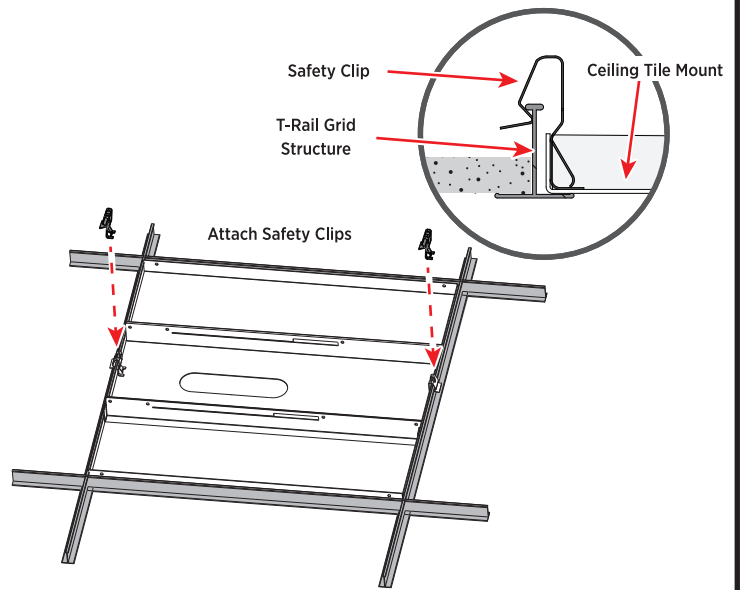
## 2. Install Ceiling Tile Mount

Position the Ceiling Tile Mount in the desired location of the suspended grid structure.



## 3. Attach T-Bar Clips

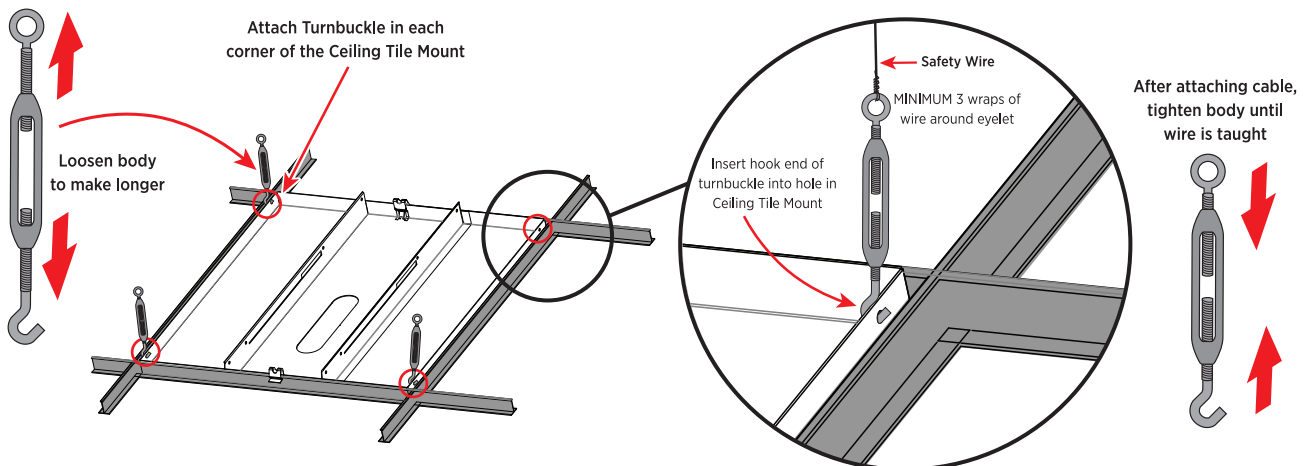
Attach one T-Bar Safety Clip to each side of the Ceiling Tile Mount, installed over the grid structure and the Mount to hold the Ceiling Tile Mount in place.



## 4. Attach Turnbuckles & Wire

Insert a turnbuckle into each of the 4 holes located in the corners of the ceiling tile Mount. Twist the body of the turnbuckle to lengthen it, then secure the wire installed in Step 1 to the eyelet end of the each turnbuckle, and tighten (shorten) the turnbuckles by twisting the body until the wire is taut and the weight of the Ceiling Tile Mount is fully supported by the Safety Wire and not the Ceiling T-Bar Grid. Re-tension if necessary after assembly is complete.

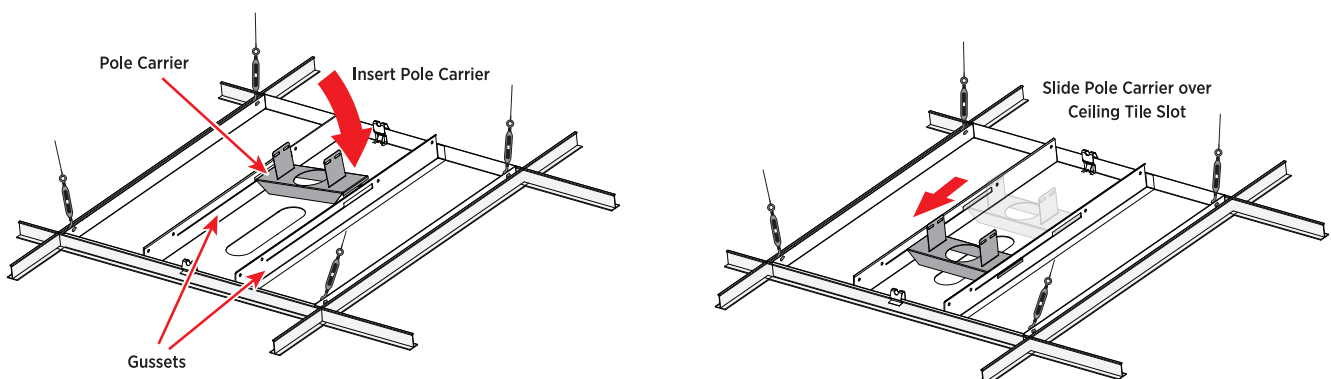
**WEIGHT OF THE CEILING TILE MOUNT AND ATTACHED EQUIPMENT SHOULD BE FULLY SUPPORTED BY THE FOUR SAFETY WIRES, NOT THE SUSPENDED GRID STRUCTURE.**



## 5. Insert Pole Carrier

Insert the Pole Carrier at an angle into one side gusset of the Ceiling Tile Mount, and then pull it back toward the opposite gusset to hang it onto the gusset supports. The Pole Carrier should ride along the gusset tracks and not rest on the face of the Ceiling Tile Mount.

Slide the Pole Carrier so the center hole is positioned over the slot in the surface of the Ceiling Tile Mount.

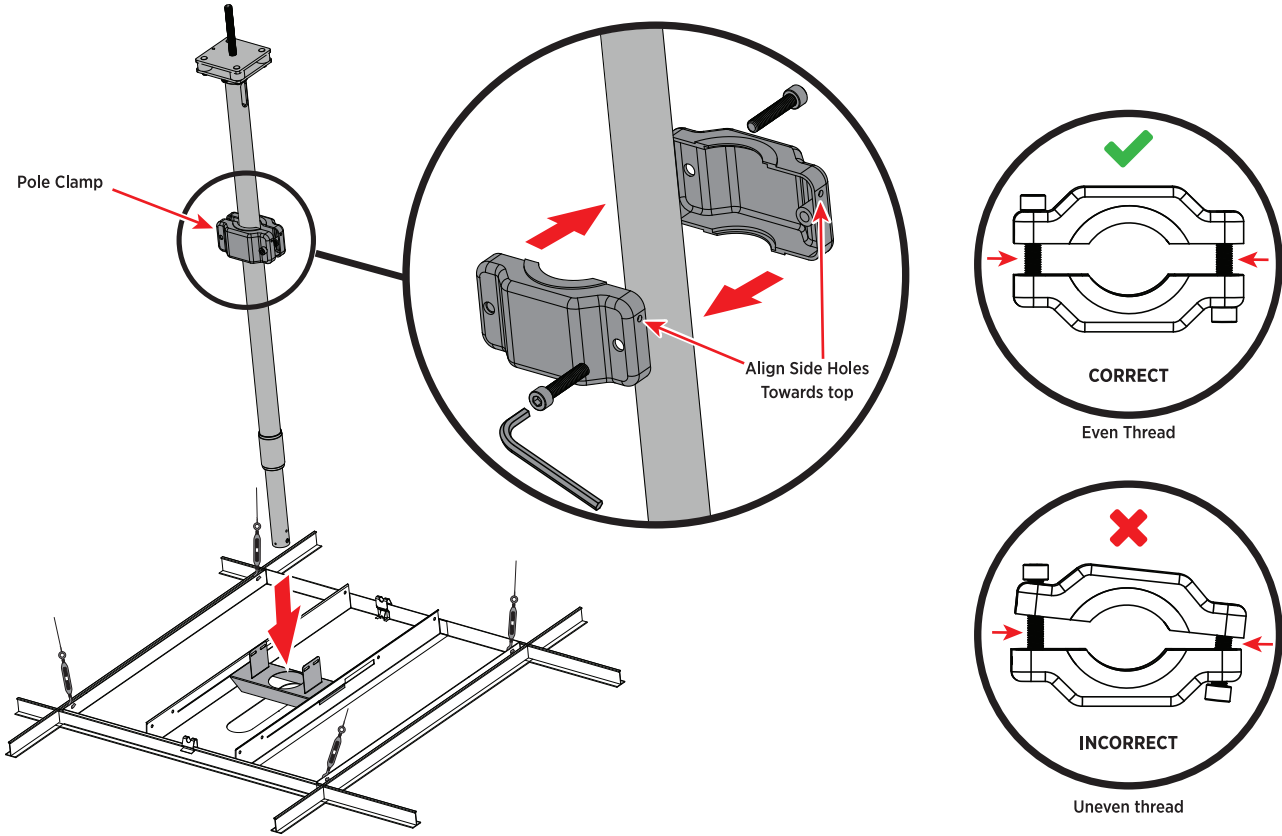


## 6. Install Pole into Ceiling Tile Mount

The Pole Clamp can accommodate poles from Clinton Electronics with outer diameters ranging from 1.125" to 1.79", which include:  
Clinton Electronics' camera poles CE-CP3W(B), CE-CP6W(B), CE-CP12W(B), CE-CP17W(B)  
Clinton Electronics' monitor poles CE-CM-SX-3-W(B), CE-CM-SX-6-W(B), CE-CM-LX-12-W(B), CE-CM-LX-17-W(B)  
Clinton Electronics' heavy duty monitor poles CE-CMHL-3(B), CE-CMHL-6(B)  
Clinton Electronics' 5' fixed length pole #654-0103-001

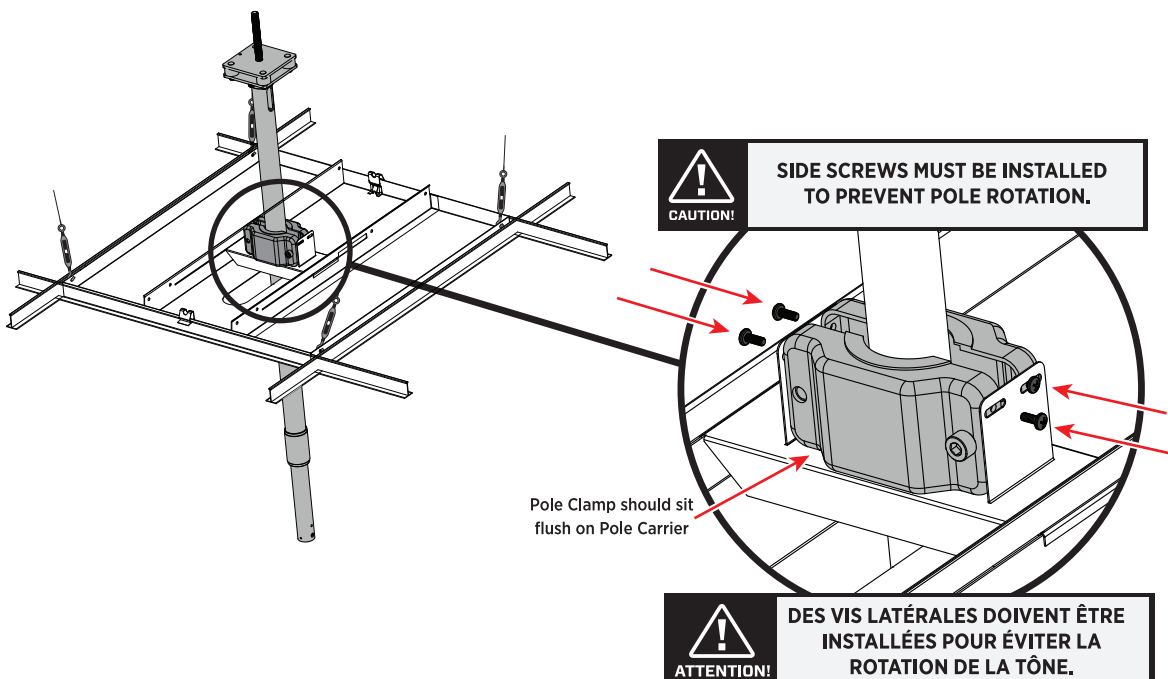
Assemble the Pole Clamp onto the pole by placing each half on opposite sides of the pole and joining them by fastening the included M8x50mm Allen Head screws with the included 6mm Allen Wrench. Effort should be made to tighten each screw evenly. Ensure the side screw holes on each clamp part are positioned toward the top.

Slide the pole and clamp assembly down through the center hole in the Pole Carrier, and through the slot in the Ceiling Tile Mount. The Clamp should sit flush on the surface of the Pole Carrier.



## 7. Secure Anti-Rotation Screws

With the Pole Clamp sitting flush on the surface of the Pole Carrier, insert the four M4x10mm screws and M4 lock washers through the slotted holes on each side of the Pole Carrier securing into the threaded holes on each side of the Pole Clamp.



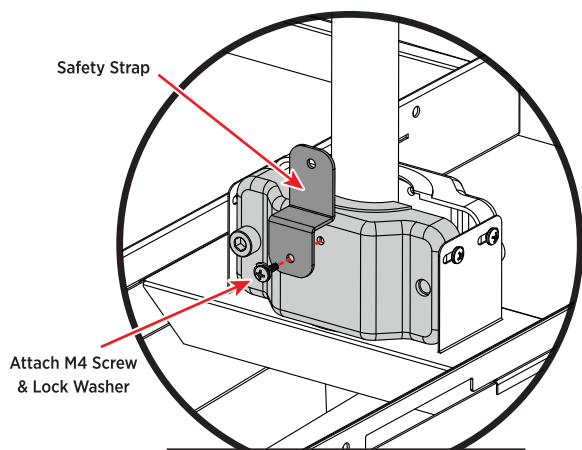
## 8. Install Safety Strap

Ensure the height, rotation, and location of the Pole is in the desired position before performing the next step! Once the Safety Strap's rivet is in place the height and rotation of the pole can no longer be adjusted.

8a. Align the safety strap so the long leg is up. Then insert an M4x10mm screw and lock washer into the threaded hole on the face of the Pole Clamp.

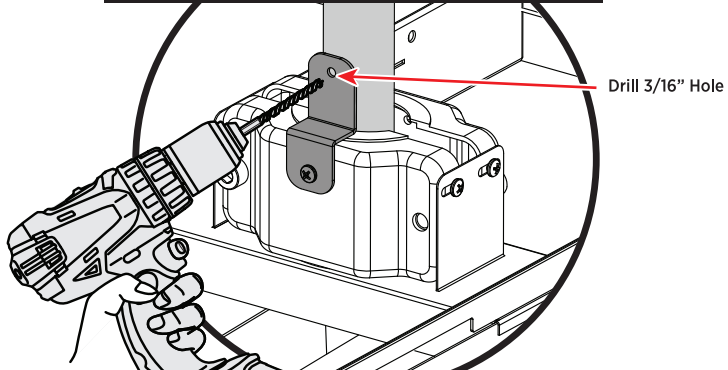
8b. Using the Safety Strap as a guide, drill a 3/16" hole into one side wall of the pole.

8c. Insert the 3/16" Drive Rivet through the drilled hole and strike the pin sharply with a hammer to set the pole height and prevent the pole from turning or slipping- this locks the pole in place.



**8a. ATTACH SAFETY STRAP**

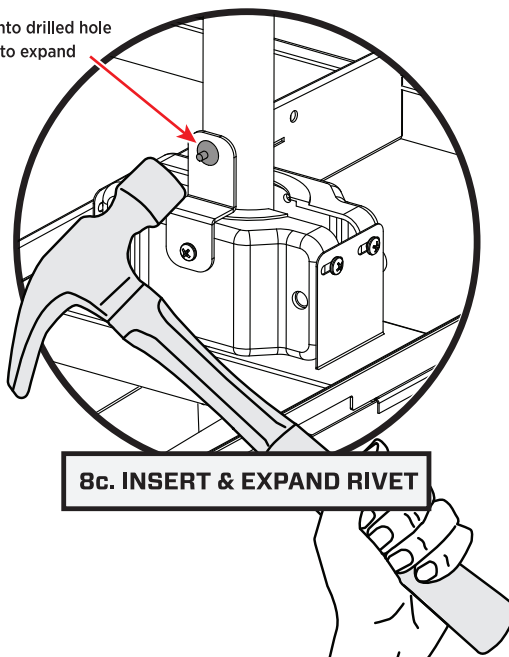
**CAUTION!** DO NOT DRILL HOLE INTO POLE WHILE THERE ARE ANY CABLES INSIDE. REMOVE ANY CABLES FROM THE POLE PRIOR TO DRILLING.



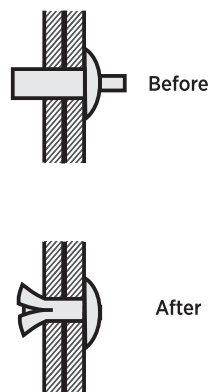
**8b. DRILL HOLE**

**ATTENTION!** NE PAS PERCER DE TROU DANS LA TÔNE PENDANT QU'IL Y A DES CÂBLES À L'INTÉRIEUR ENLEVEZ TOUT CÂBLE DE LA MÂCHE AVANT LE PERÇAGE.

Insert Rivet into drilled hole & Strike to expand



**8c. INSERT & EXPAND RIVET**



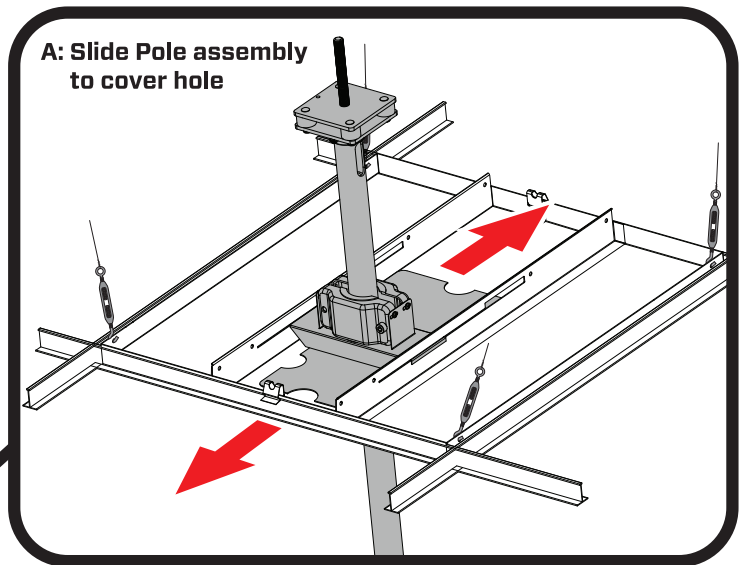
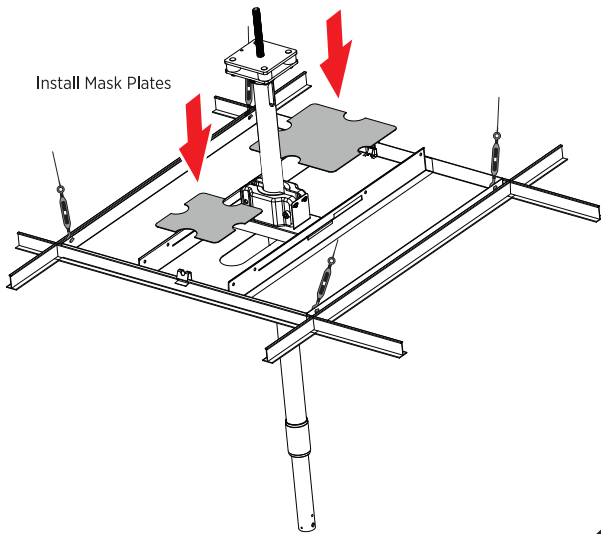
## 9. Install Mask Plates

Mask Plates can be arranged in several different ways to accommodate various pole diameters.

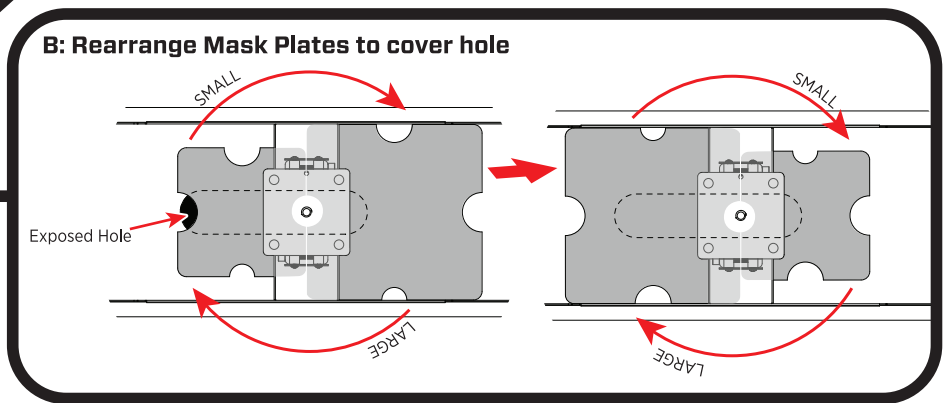
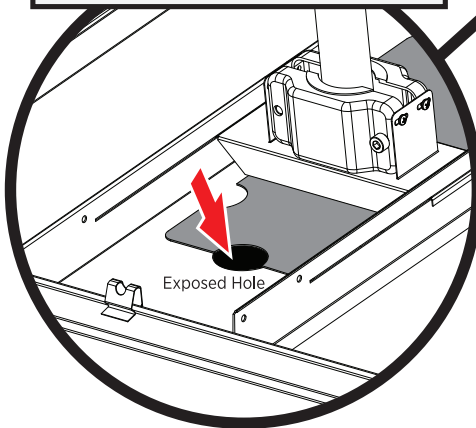
Locate the matching half-circle cutout on each plate and place on opposite sides of the pole, laying on the surface of the Ceiling Tile Mount within the gussets. Slide plates together until tight around the pole. If a hole is present, use one of the following hole concealment methods:

A. Slide the pole assembly & plates until hole is covered.

B. Rearrange the small and large plate to fully cover any exposed hole.



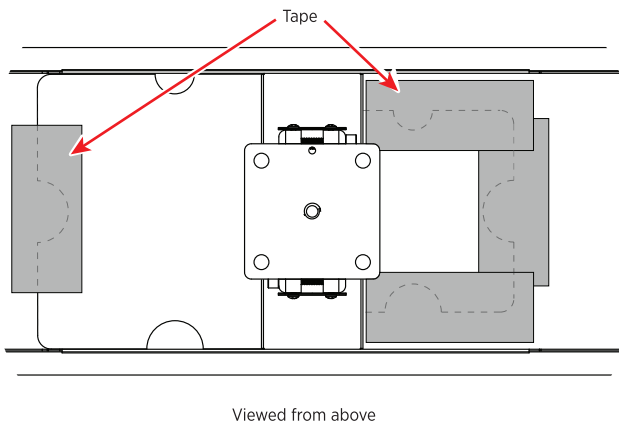
### HOLE CONCEALMENT METHODS



## 10. Apply Tape to Plates

Ensure Mask Plates are in touching at the center and apply three pieces of the pre-cut tape to the three exposed outer edges of the small Mask Plate.

Apply the last remaining tape piece along the outer edge of the large Mask Plate.



## 11. Fill in Ceiling Tile Material

Ceiling Tile Mounts feature two outer edges which can accept field cut ceiling tile material. If needed, cut your ceiling tile material to fill in the space remaining after installing the Ceiling Tile Mount into a larger ceiling grid space.

