

## CE-TPCA

90° Conduit Adapter for Telescoping Monitor Poles



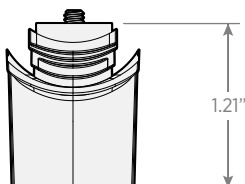
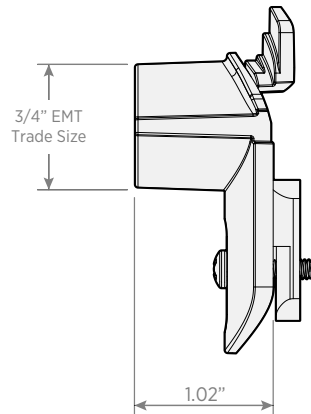
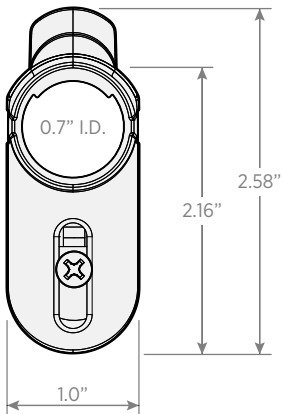
### KEY FEATURES:

- Installs into top slotted opening on Telescoping Ceiling Mount Monitor and Heavy Duty Monitor Poles (CM & CMHL Series)
- 90° Elbow fits 3/4" Conduit (requires 3/4" EMT coupling, not included)
- Block-off plates/caps and hardware included
- For low-voltage wiring only, not to exceed 60VDC/42.4VAC

### GENERAL

Dimensions (H x W x D)	2.58" x 1.0" x 1.21" 65.5mm x 25.4mm x 30.7mm
Weight	0.05lbs / 0.022kgs

### DIMENSIONS:



Unit : Inches