

CE-X1QHD-NL

4MP EX-SDI True D/N Box Camera (No Lens)



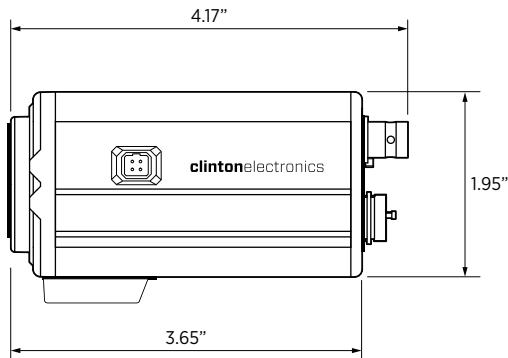
*Lens Sold Separately



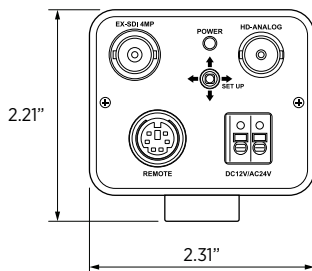
KEY FEATURES:

- 1/2.8" SONY Starvis 5.14MP CMOS sensor
- 1440p @ 30fps Over RG59 coax
- CS Lens Mount, Lens Sold Separately
- Dual Video Outputs: 4MP EX-SDI 2.0 / 2MP EX-SDI 2.0 / HD-SDI & HD Analog / Analog (outputs selectable)
- Top or bottom 1/4"-20 mounting hole for bracket mounting
- OSD Menu control via built-in joystick, CE-REMOTE or UCC**
- DOL-WDR @ 30fps w/ simultaneous analog output
- DC12V/AC24V or PoC (Power Over Coax)

DIMENSIONS:



REAR



CAMERA	
Image Sensor	1/2.8" SONY Starvis 5.14MP CMOS Sensor
Resolution	Quad HD 1440p / 4MP
Effective Pixels	2616 (H) x 1964 (V)
Scanning System	Progressive Scan
S/N Ratio	More than 52dB (AGC Off)
Frame Rate	1440p_30 / 1080p_30
Minimum Illumination	1 Lux (COLOR) / 0.1 Lux (B&W)
Shutter Speed	1/30 - 1/30,000 sec. / AUTO
Lens	n/a - Sold Separately
Field of View	n/a - Varies by lens type
Lens Mount	CS Mount or C Mount (C Mount requires adapter, not included)
Video Output (4MP / 2MP selectable) (HD Analog selectable)	(4MP) EX-SDI: 1440p @ 30fps (2MP) EX-SDI 2.0 / EX-SDI / HD-SDI: 1080p @ 30fps HD Analog: CVBS / A_HD / C_VI / T_VI
Power Consumption Max, +/- 10%	DC12V: 230mA AC24V: 80mA PoC (DC48V): 45mA
Power Requirement	DC12V / AC24V / PoC
Operating Temperature	14° to 122° F (-10° to 50° C)
Operating Humidity	90% RH Max.
Weather Rating	n/a - Indoor Use Only
IR LEDs	n/a
Heaters/Fan	n/a
Materials	Aluminum Housing
Dimensions (no lens)	4.17" (L) x 2.31" (W) x 2.21" (H) 105.91mm (L) x 58.67mm (H) x 50.8mm (D)
Weight (no lens)	0.53 lbs / 0.24 kgs

OSD	
DSP Type	EXHD 4MP
Menu Control	OSD Menu Control via Built-in Joystick, CE-REMOTE or UCC**
Exposure	Shutter, Sens-Up, AGC
White Balance	ATW, AWB, AWC-SET, Manual
Image Adjust	Sharpness, Gamma, Brightness, Saturation, Black Level
Backlight	HLC, BLC, WDR (DOL-WDR or Frame WDR)
Day & Night	Auto, Color, B&W
DNR (3DNR)	Off, Low, Middle, High
Special	Rotate, D-Zoom, ACE, Defog, Lens Shading, Privacy, Motion
Serial	Cam ID, Baudrate, ID Display
System	SDI Output (EX-SDI 4MP / EX-SDI 2.0 / EX-SDI / HD-SDI), Analog Output (CVBS, CVI, TVI, AHD), Frame Rate, Video System, CVBS Filter, Language, Cam Title, Reset

ACCESSORIES	
CE-2812DN-MPL	4MP 2.8-12mm f1.4 D/N Lens
CE-0622DN-MPL	4MP 6-22mm f1.6 D/N Lens
CE-0550DN-MPL	5MP 5-50mm f1.6 D/N Lens
CE-REMOTE	Plug in OSD remote
CE- B07-WHITE	Box Camera Bracket - White
CE- CPBA	Camera Pole Adapter Bracket - White

**UCC (Up the Coax Control) allows camera OSD adjustments to be made remotely through a UCC equipped DVR channel.