

# CE-CPUPR(B) Install Guide

## Included Items:

- Round Universal Mount Assembly
- 1/4"-20 x 1-1/2" Bolt x1
- 1/4"-20 Lock Nut x1
- 1/4" Lock Washer x1
- 1/4" Flat Washer x1
- Instructions

## Required Items:

- Two 7/16" Wrenches
- Fasteners for mounting camera or other device to round plate

## Optional Items:

- Phillips Head Screwdriver
- Sheet Metal Shears



**Maximum Load Capacity: 10 lbs / 4.5 kgs**



**CAUTION!**

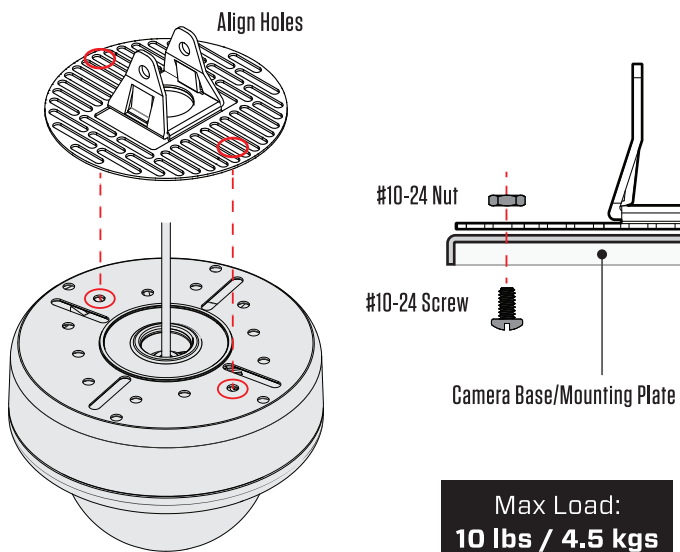
## USE ONLY AS DESIGNED

This product is designed to serve as a mounting apparatus between a camera pole mount and a camera or other small low voltage device. Refer to the camera pole installation guide for details on installing the camera pole. It is intended for use only with the maximum weight indicated. Use with products heavier than the maximum weights indicated may result in instability causing possible injury.

### 1. ATTACH PLATE TO CAMERA

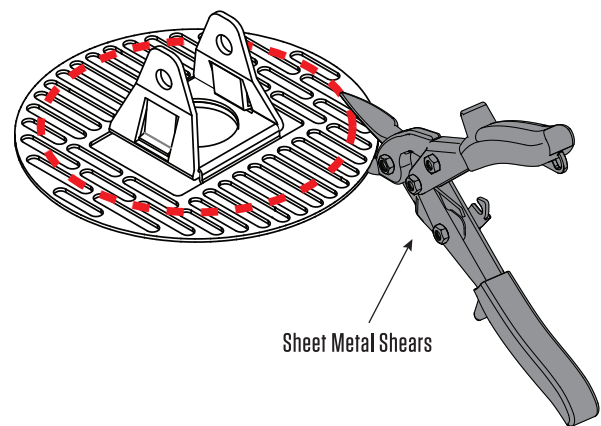
Align the mounting holes on your camera to at least 2 slots in the plate. Attach camera to the plate with machine screws and nuts (*Not Included*).

Plate will allow for use of common sized #10-24, #10-32, #8-32, M4, or smaller diameter machine screw sizes.



### 2. OPTIONAL: TRIM PLATE

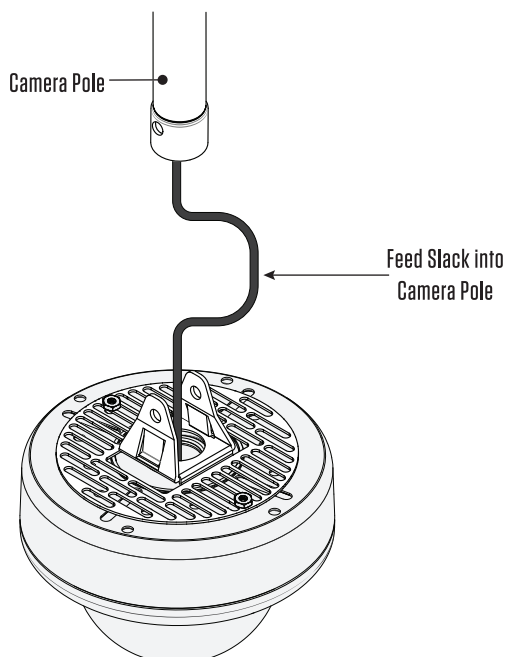
If the plate overhangs your camera, you can choose to trim the plate to the desired size using sheet metal shears.



Sheet Metal Shears

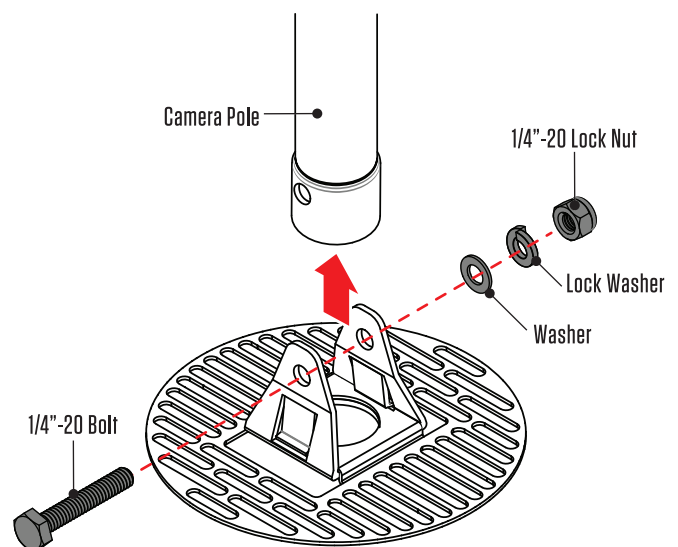
### 3. CONNECT CABLES

Attach power and video cables and feed any slack into the camera pole.



### 4. MOUNT TO CAMERA POLE

Guide the CE-CPUPR onto the lower end of the camera pole. Then secure the bracket to the pole using the included 1/4"-20 bolt, washer, lock washer, and lock nut.

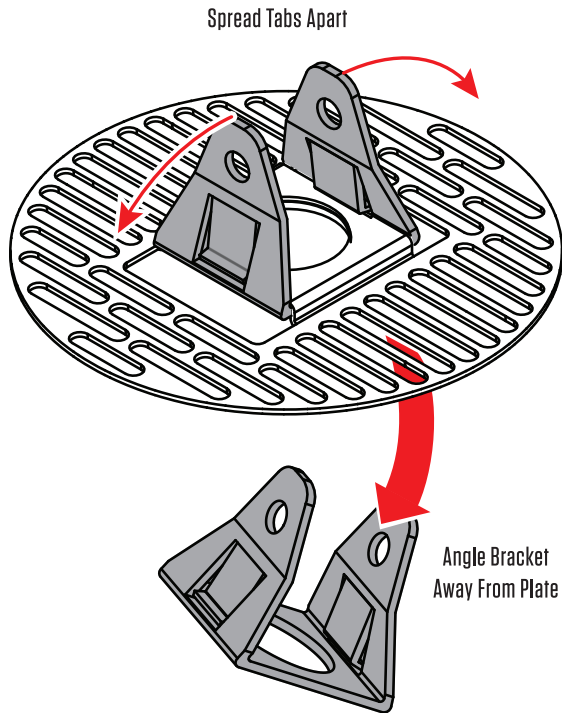


*\*Shown without camera attached.*

**OPTIONAL: 3/4" EMT Adapter Mount**

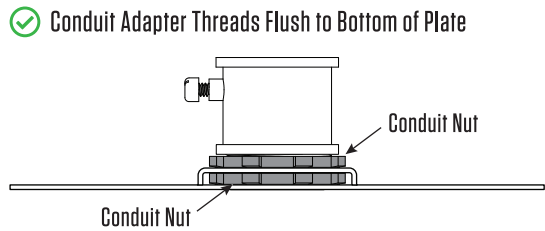
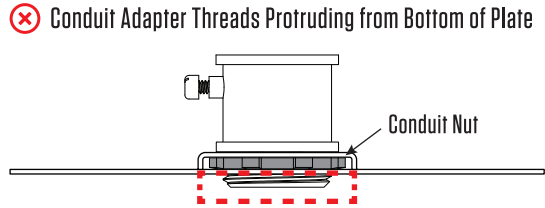
**A. Remove Snap-in Bracket**

A 3/4" EMT conduit adapter may be directly connected to the plate if needed. To begin, forcefully spread the tabs apart and angle away from the plate to remove the pre-installed snap in bracket.



**B. Connect Adapter to Plate**

Then, using a conduit nut (not included), secure a 3/4" EMT adapter (not included) into the top of the plate. An additional conduit nut (not included) may be needed above the plate to sit flush with the base of the camera, depending on the length of the conduit adapter's threads.



*\*3/4" EMT conduit adapter and conduit nuts not included.*

**IMPORTANT: Scale 1:1**

When using this document to confirm equipment alignment, set printer to print at 100%, with no document scaling.

Measure the 1" box below to confirm it has printed to scale.

