

CE-IDX40(B)

Indoor True D/N Dome Camera

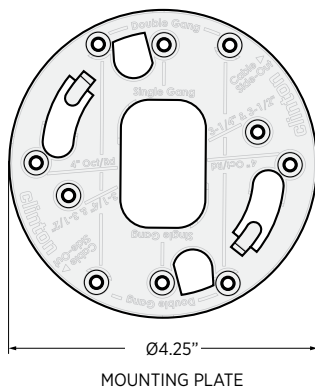
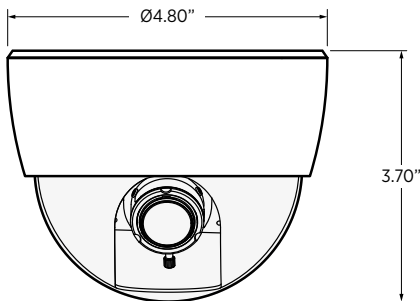


CE-IDX40B (Blk)

KEY FEATURES:

- 1/2.8" SONY Starvis 2.13 Megapixel CMOS Sensor
- Selectable HD Analog Output: A_HD, C_VI, T_VI or CVBS*
- 2.8-12mm (f1.4) 2.8-12mm (f1.4) True D/N Lens
- S8 Digital Signal Processor
- OSD Menu Control via Built-In Joystick or CE-REMOTE
- Mounts to large variety of Conduit Boxes
- RVM** (Rated Voltage Monitoring)
- DC12V/AC24V
- UL Listed

DIMENSIONS:



CAMERA	
Image Sensor	1/2.8" SONY Starvis 2.13 Megapixel CMOS Sensor
Resolution	CVBS* (Analog), 2MP - Full HD 1080p (HD Analog)
Effective Pixels	1945 (H) x 1097 (V), 2.13 M Pixels
Scanning System	Progressive Scan
S/N Ratio	More than 52dB (AGC Off)
Frame Rate	1080p_30 / 720p_30 (when HD Analog)
Minimum Illumination	1 Lux (COLOR) / 0.1 Lux (B&W)
Shutter Speed	1/30 - 1/30,000 sec. / AUTO
Lens	2.8-12mm (f1.4) True D/N Lens
Filed of View	92° - 28° (Horizontal)
Video Output	CVBS / A_HD / C_VI / T_VI (output selectable)
Power Requirement	DC12V / AC24V
Power Consumption (Max, +/- 10%)	DC12V: Max. 180mA AC24V: Max. 80mA
Operating Temperature	32°F -113°F / 0°C - 45°C
Operating Humidity	90% RH Max.
Weather Rating	n/a - Indoor Use Only
Mounts to Conduit Boxes	Single Gang, Double Gang, 3/4" & 3/2" Boxes, or 4" Octagon/ Round Boxes
IR LEDs	n/a
Heaters/Fan	n/a
Materials	Plastic Case w/Polycarbonate Dome
Dimensions	4.80" (Dia.) x 3.70" (H) / 121.9mm (Dia.) x 93.9mm(H)
Weight	0.60 lbs / 0.27 kg

OSD - S8	
Menu Control	OSD Menu Control via built-in joystick or CE-REMOTE
Exposure	Shutter, Sens-Up, AGC
White Balance	ATW, AWB, AWC-SET, Manual
Image Adjust	Sharpness, Gamma, Brightness, Saturation, Black Level
Backlight	HLC, BLC, WDR
Day & Night	Auto, Color, B&W
DNR (3DNR)	Off, Low, Middle, High
Special	Rotate, D-Zoom, ACE, Defog, Lens Shading, Privacy, Motion
Serial	Cam ID, Baudrate, ID Display
System	HD Analog (CVBS / A_HD / C_VI / T_VI), Frame Rate, Video System, CVBS Filter, Language, Cam Title, Reset

RVM - Rated Voltage Monitoring	
LED COLOR	STATUS
GREEN	Correct Voltage (DC12V / AC24V)
RED - SOLID	Over Voltage: >29 Volts (AC24V)
RED - BLINK	Under Voltage: <10 Volts (DC12V)

ACCESSORIES	
CE-REMOTE	Plug in OSD remote
CE-IDXWB(B)	Wall Bracket for IDX Cameras (White or Black)
CE-IDXP(C)	Pendant Cap for IDX Cameras (White or Black)
CE-IDXDPC(B)	Deep Pendant Cap for IDX Cameras (White or Black)

*CVBS (Analog) is the default video output, selectable via OSD Menu or Joystick

**RVM (Rated Voltage Monitoring) indicates correct/incorrect voltage at camera with LED indicator light. RVM helps prevent premature camera failure do to under or over-powered cameras.

CERTIFICATIONS:

