

# CE-T12VDC5A Install Guide



**CAUTION**



TO REDUCE THE RISK OF ELECTRIC SHOCK, DO NOT DISASSEMBLE. NO USER SERVICEABLE PARTS INSIDE. REFER SERVICE TO QUALIFIED PERSONNEL.

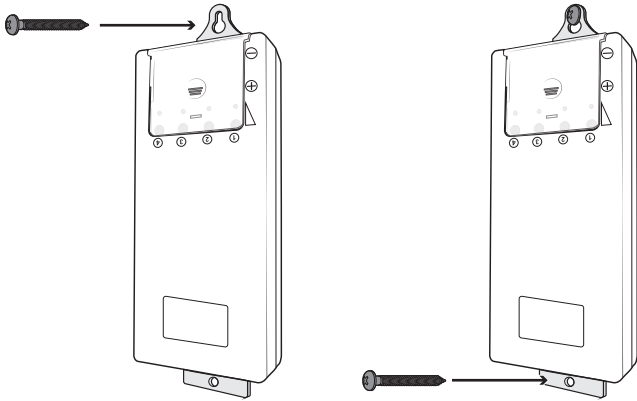
## WARNING:

- To reduce the risk of fire or electric shock, do not expose the unit to rain or moisture. Do not install power supplies in places with high moisture or near water.
- This installation should be made by qualified service personnel and should conform to all local codes and in accordance with the National Electrical Code.
- For Indoor Use Only!

- Risk of electrical shock and/or equipment damage. Disconnect power before servicing this appliance.
- Measure output voltage before connecting devices. This helps avoid potential damage.

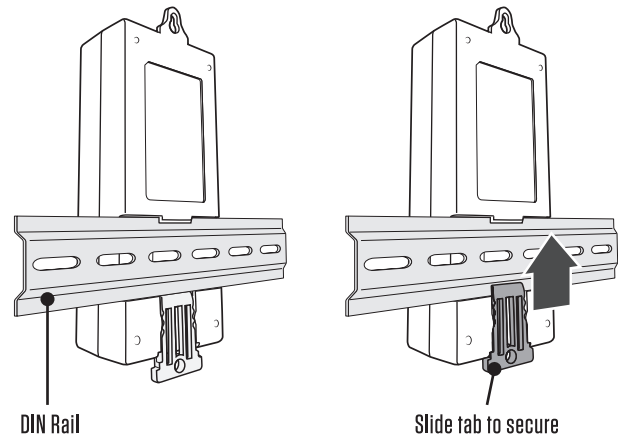
## Wall Mount - Optional

Insert a screw into the wall and hang the power supply from the slotted top mounting tab. Adjust level as necessary, then secure the power supply to the wall with a screw in the lower mounting tab. (Can be mounted in any orientation, up/down) \*Mounting hardware not included



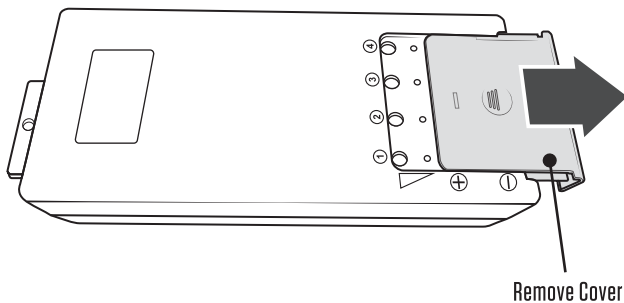
## DIN-Rail Mount - Optional

With the DIN rail mounting tab extended, guide the fixed tab onto a section of DIN rail. Secure by pushing the mounting tab against the rail. (Can be mounted in any orientation, up/down)



## 1. Remove Cover Plate

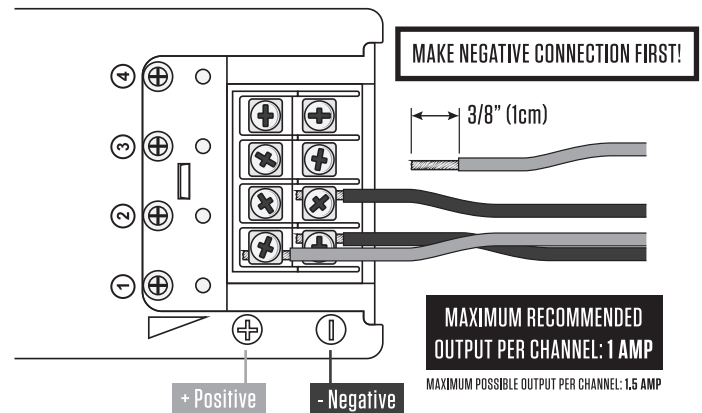
Remove the terminal cover by applying gentle outward pressure to the outer edge of the cover.



Remove Cover

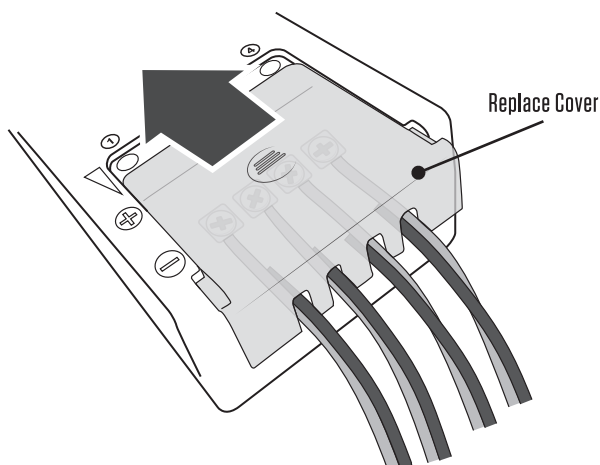
## 2. Attach Wires

Loosen the terminal screws with a Phillips-head screwdriver and connect wires from cameras to appropriate terminal. The power supply is labeled (+) for positive and (-) for negative. Be sure to maintain proper polarity! Cameras may be damaged or not function correctly if polarity is reversed.



## 3. Replace Cover

Replace the cover by inserting the wires into the cutouts in the cover, and slide it back into position.



Replace Cover

## 4. Plug-in Power & Check/Adjust Voltage

Plug the female end of the AC cord into the power supply, then the male end into a grounded outlet. The LEDs on the front of the power supply will illuminate when powered. Measure the voltage output at the camera. If the camera is not receiving 12 Volts ( $\pm 10\%$ ), increase the voltage for that channel by sliding the cover back slightly and rotating the adjustment potentiometer clockwise.

