

CE-HSCAB Install Guide

Included Items:

- Height Strip Camera Angle Bracket x 1
- 3/4" Threaded Conduit Adapter x 2
- 3/4" Conduit Nut x 1
- 3/4" Conduit Cap x 2
- Instructions x 1

Required Items:

- CE-HSC1QHD Height Strip Camera
- Phillips Head Screwdriver
- Power Drill with Phillips Head Bit

Optional Items:

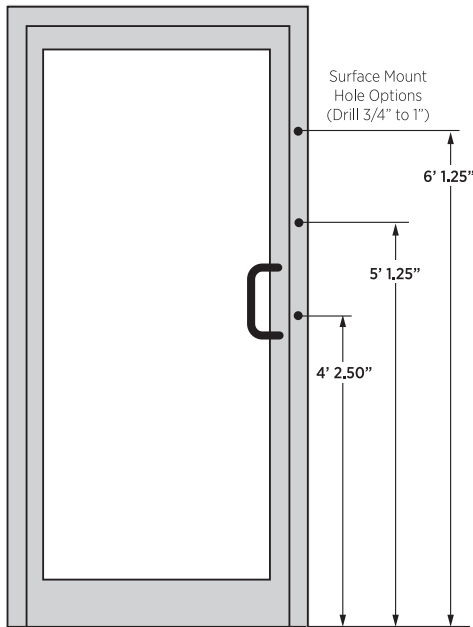
- Pencil
- Pliers (for Knockout removal)
- Conduit

1a. PLAN YOUR INSTALLATION

Wire Through Surface Method:

Drill a hole at one of three locations in the mounting surface large enough to route power and video cables directly into the back of the Angle Bracket and Height Strip Camera (typically 3/4" to 1.0" hole).

When installed at the correct height, Height Strip knockout holes will be located at heights of 4'-2.50", 5'-1.25", and 6'-1.25" off of the ground.

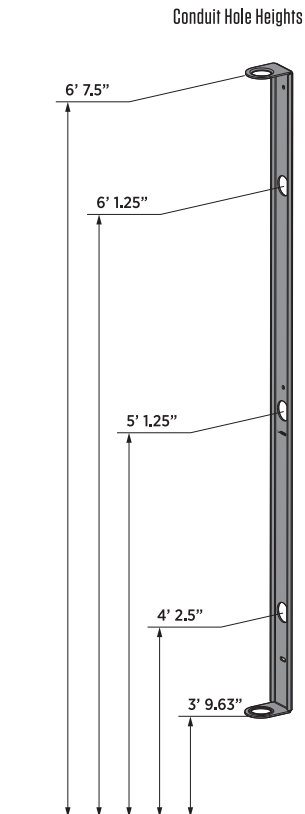


1b. PLAN YOUR INSTALLATION

Conduit Wiring Method:

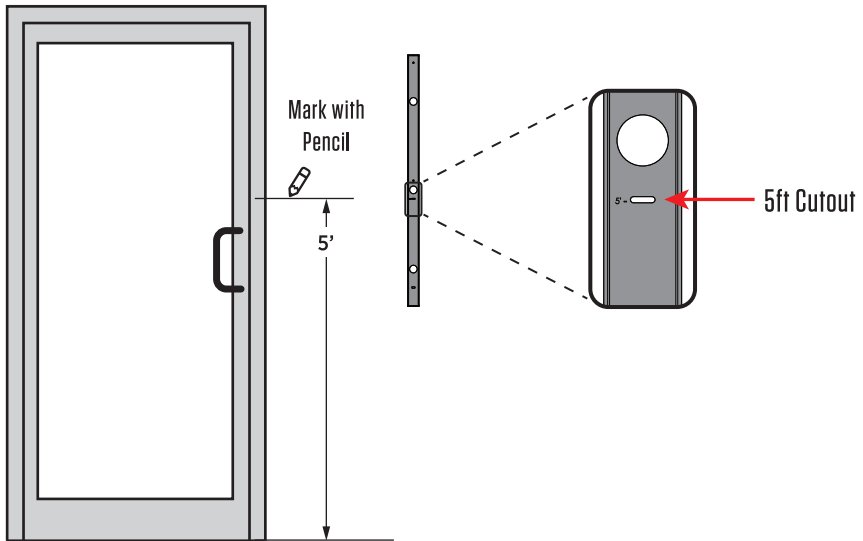
Cables can be run into the Height Strip & Angle Bracket externally through 1/2" or 3/4" conduit. See Step 5 from Height Strip Camera Install Guide for further conduit installation details.

See below illustration for conduit hole locations from floor height.



2. MARK SURFACE

With a pencil, mark a horizontal reference line at 5' off the ground onto the mounting surface. Align the 5' cutout in the Height Strip Angle Bracket to the 5' mark on the mounting surface.

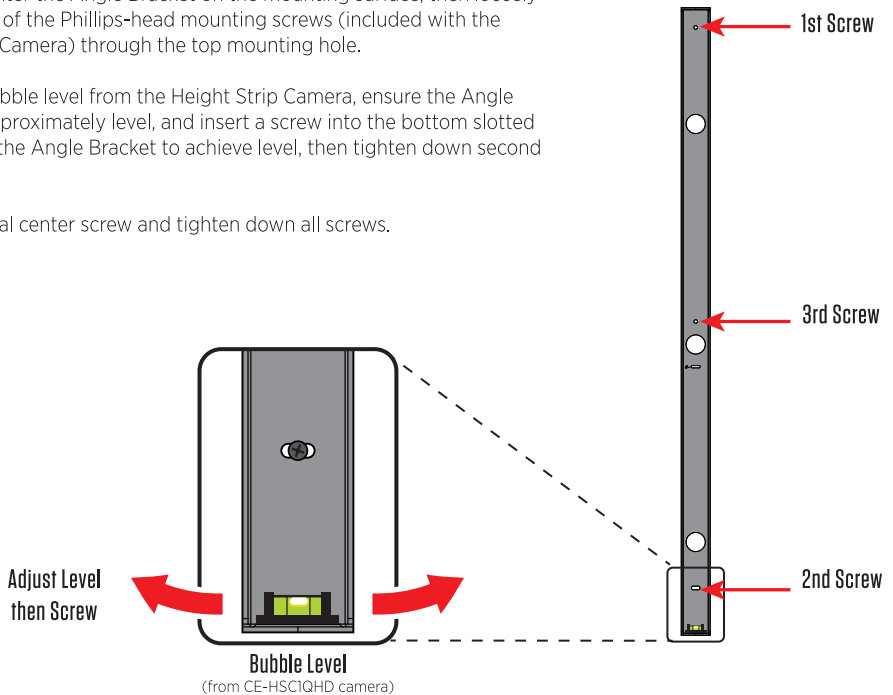


3. MOUNT TO SURFACE

Vertically center the Angle Bracket on the mounting surface, then loosely screw in one of the Phillips-head mounting screws (included with the Height Strip Camera) through the top mounting hole.

Using the bubble level from the Height Strip Camera, ensure the Angle Bracket is approximately level, and insert a screw into the bottom slotted hole. Adjust the Angle Bracket to achieve level, then tighten down second screw.

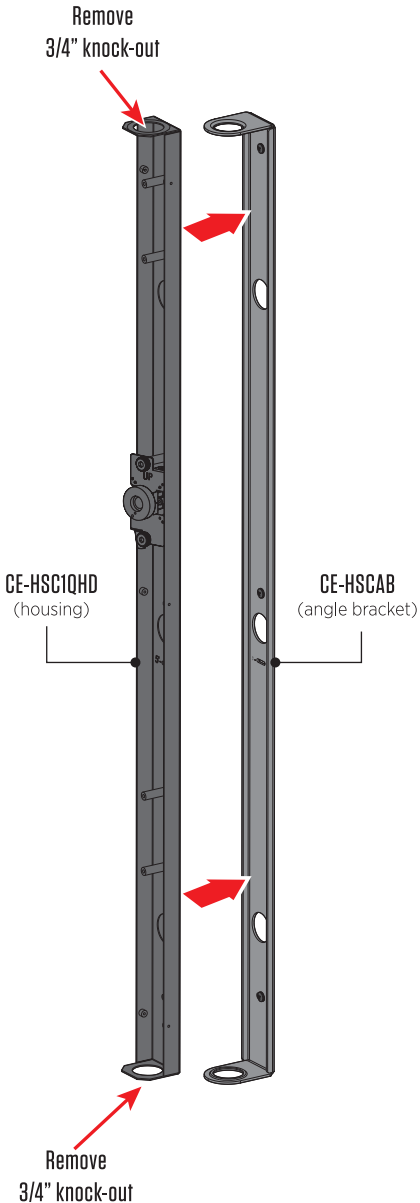
Insert the final center screw and tighten down all screws.



4. MOUNT CAMERA TO BRACKET

Remove the top and bottom 3/4" knock-outs from the rear housing after removing the front cover from the Height Strip Camera (as specified in step 2 from the separate installation guide).

Insert the camera housing into the Angle Bracket, seating the tops and bottoms together.



5a. SECURE WITH CONDUIT ADAPTERS

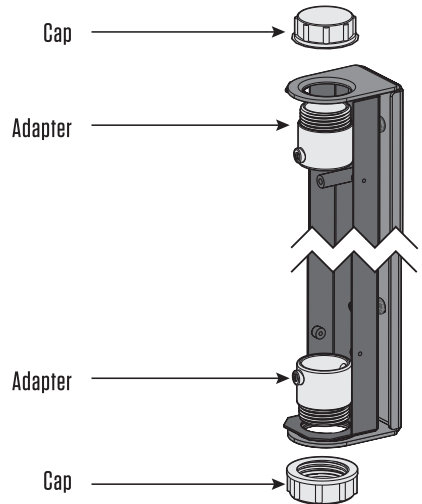
Wire Through Surface Method:

Secure the housing and angle bracket using the include 3/4" EMT Threaded Adapters and Caps.

Wait until after you've set the angle in step 6 to fully tighten.

Surface Mount

(or rear conduit)



⚠ ATTENTION

For wire through surface installation: ensure the cables/wires exiting the rear of the Height Strip Camera do not get kinked or stretched when adjusting the angle (rotation) of the camera.

5b. SECURE WITH CONDUIT ADAPTERS

Conduit Wiring Method:

Connect conduit and Adapter and tighten the Phillips-head screw on the Adapter. Secure the housing and angle bracket using the included 3/4" EMT Threaded Adapters, Cap and Nut.

Wait until after you've set the angle in step 6 to fully tighten.

Top Mount Conduit

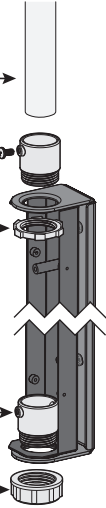
3/4" Conduit

Adapter

Nut

Adapter

Cap



Bottom Mount Conduit

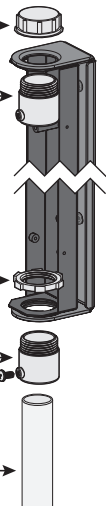
Cap

Adapter

Nut

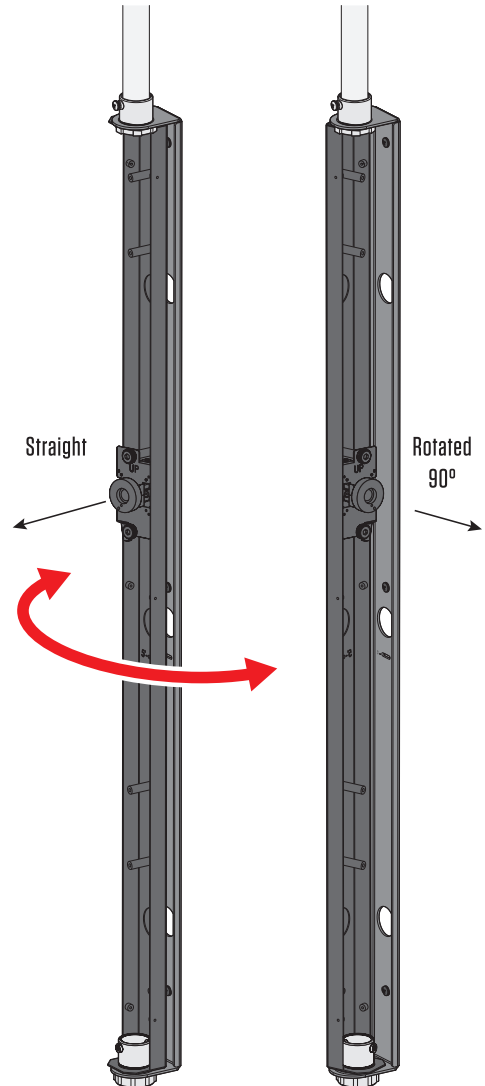
Adapter

3/4" Conduit



6. ADJUST CAMERA ANGLE

Turn the Height Strip Camera up to 90° left or right in the Angle Bracket. Once the desired angle is set, fully tighten all Adapters, Nuts and Caps.



*Continue to step 6 from Height Strip Camera installation guide for remainder of install and reattach cover when finished.