

CE-VX180X2QHD

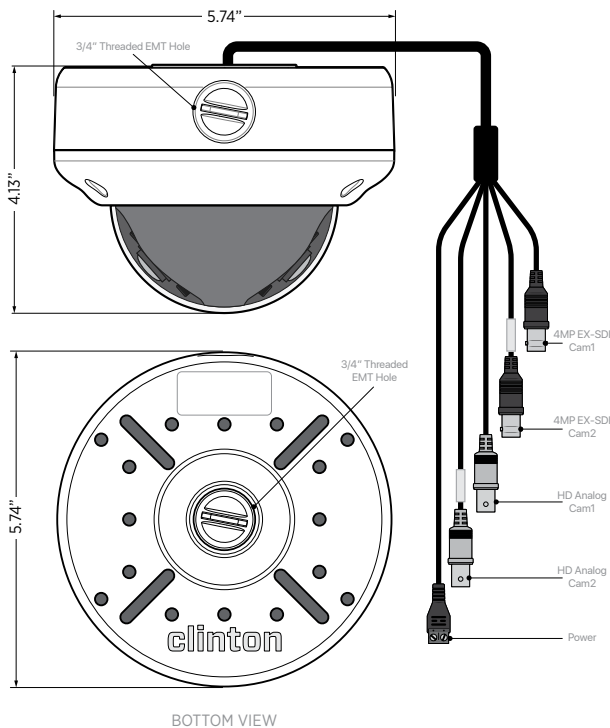
4MP EX-SDI Dual 180° Vandal X Camera



KEY FEATURES:

- Two 1/2.8" SONY Starvis 5.14MP CMOS Sensors
- 1440p @ 30fps Over RG59 Coax
- Two 1.7mm (f2.0) True D/N Fixed Panoramic Lenses
- Dual Video Outputs for Each Camera: 4MP EX-SDI 2.0 / 2MP EX-SDI 2.0 / HD-SDI & HD Analog / Analog (outputs selectable)
- Each camera is individually configurable
- EXHD 2.0 - 4MP DSP
- OSD Menu Control via Built-In Joystick, CE-REMOTE or UCC*
- DOL-WDR @ 30fps w/ Simultaneous Analog Output
- Mounts to large variety of Conduit Boxes
- RVM** (Rated Voltage Monitoring)
- DC12V/AC24V
- IP68 Weather Rated
- NDAA & TAA Compliant

DIMENSIONS:



CAMERA	
Image Sensor x 2	1/2.8" SONY Starvis 5.14MP CMOS Sensor
Resolution	Quad HD 1440p / 4MP
Effective Pixels	2616 (H) x 1964 (V)
Scanning System	Progressive Scan
S/N Ratio	More than 52dB (AGC Off)
Frame Rate	1440p_30 / 1080p_30
Minimum Illumination	1 Lux (COLOR) 0.1 Lux (B&W)
Shutter Speed	1/30 - 1/30,000 sec. / AUTO
Lens x 2	1.7mm (f2.0) Fixed True D/N Panoramic Lens
Field of View	180° (Hor.) / 140° (Ver.)
Video Outputs x 2 (4MP / 2MP selectable) (HD Analog selectable)	(4MP) EX-SDI: 1440p @ 30fps (2MP) EX-SDI 2.0 / EX-SDI / HD-SDI: 1080p @ 30fps HD Analog: CVBS / A_HD / C_VI / T_VI
Power Consumption Max, +/- 10%	DC12V: 520mA AC24V: 190mA
Power Requirement	DC12V / AC24V
Operating Temperature	-20° - 122° F / -28.8°C - 50°C
Operating Humidity	95% RH Max.
Weather Rating	IP68
Mounts to Conduit Boxes	Single Gang, Double Gang, 3/4" & 3/2" Boxes, 4" Oct/Rnd/Square Boxes & 4 1/8" Square Boxes
IR LEDs	n/a
Heaters/Fan	n/a
Materials	Aluminum Case w/Polycarbonate Dome
Dimensions	5.74" (Dia.) x 4.13" (H) / 145.8mm (Dia.) x 104.9mm (H)
Weight	1.7 lbs / 0.77 kg

OSD	
DSP Type	EXHD 4MP
Menu Control	OSD Menu Control via built-in joystick, CE-REMOTE or UCC*
Exposure	Lens, Shutter, Sens-Up, AGC
White Balance	ATW, AWB, AWC-SET, Manual
Image Adjust	Sharpness, Gamma, Brightness, Saturation, Black Level
Backlight	HLC, BLC, WDR (DOL-WDR or Frame WDR)
Day & Night	Auto, Extern, Color, B&W
DNR (3DNR)	Off, Low, Middle, High
Special	Rotate, D-Zoom, ACE, Defog, Lens Shading, Privacy
Motion	LED Mode: Constant, Motion Det, Off LED On Time, Motion Size, LED Bright, Flash, Flash Time
Serial	Cam ID, Baudrate, ID Display
System	SDI Output (EX-SDI 4MP / EX-SDI 2.0 / EX-SDI / HD-SDI), Analog Output (CVBS, CVI, TVI, AHD), Frame Rate, Video System, CVBS Filter, Language, Cam Title, Reset

RVM - Rated Voltage Monitoring	
LED COLOR	STATUS
GREEN	Correct Voltage (DC12V / AC24V)
RED - SOLID	Over Voltage: >29 Volts (AC24V)
RED - BLINK	Under Voltage: <10 Volts (DC12V)

ACCESSORIES	
CE-REMOTE	Plug in OSD remote
CE-VXWB(B)	Wall Bracket (White or Black)
CE-VXAP(B)	Adapter Plate for Wall Bracket
CE-VXDC(B)	Deep Case. Additional 1.1" of space. (White or Black)
CE-VXPC	Pendant Cap. Mounts to poles or conduit.
CE-VXPCSS	Stainless Steel Pendant Cap Housing, Mounts to 1.5NPT
CE-VXDPC	Deep Pendant Cap. Additional 1.1" of space.
CE-VXRM(B)	Recess Mount (White or Black)
CE-UCB-POLE(B)	Universal Pole Mount Adapter (White or Black)
CE-UCB-CRNR(B)	Universal Corner Mount Adapter (White or Black)
CE-UJB	Universal Junction Box Mount (White)

*UCC (Up the Coax Control) allows camera adjustments (OSD settings) to be made remotely through a UCC equipped DVR channel.

**RVM (Rated Voltage Monitoring) indicates correct/incorrect voltage at camera with LED indicator light. RVM helps prevent premature camera failure do to under or over-powered cameras.