

CE-CPBCM Install Guide

Included Items:

- Beam Clamp Mount Assembly
- Flat Washer x 1

Required Items:

- Torque Wrench with 12mm 12-Point Socket
- Two 7/16" Wrenches
- 3/16" Allen Wrench (optional)

**NOTE: Additional Hardware to be re-used from Camera Pole contents*



Maximum Load Capacity: Camera Pole Weight + Max Camera Pole Load



ATTENTION!

USE ONLY AS DESIGNED

This mount is designed to mount a camera from the ceiling steel support beam. It is not designed to mount to a wooden surface. It is intended for use only with the maximum weight indicated. Use with products heavier than the maximum weights indicated may result in instability causing possible injury.

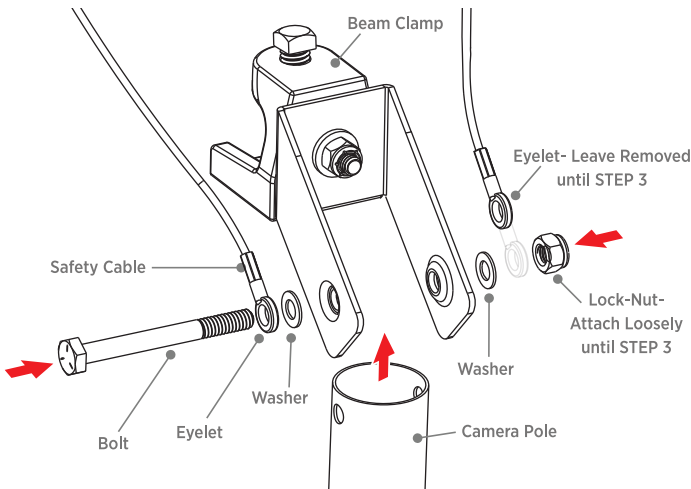
1. Attach Pole to Mounting Head

Most mounting hardware is not included with this product. It is necessary to re-use the mounting hardware from the original camera pole contents.

Insert one eyelet of the Safety Cable, and one flat washer (included) onto the 1/4"-20 bolt from the Camera Pole contents.

Insert the bolt, through the Beam Clamp Mount, and Camera Pole.

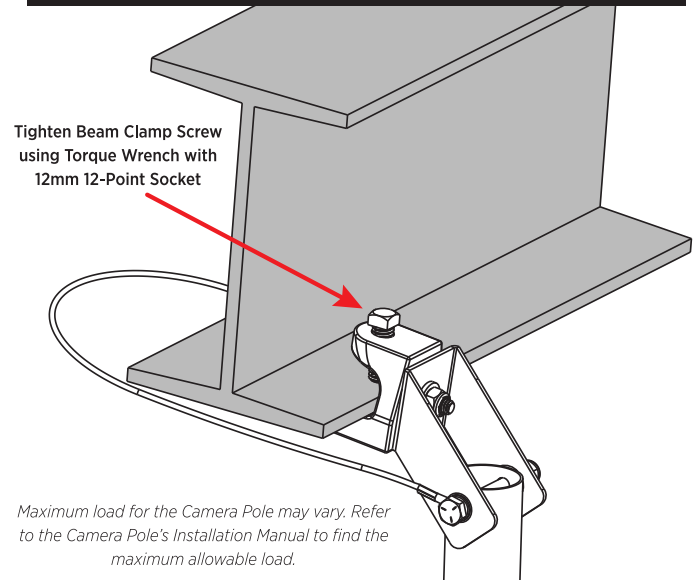
Temporarily place a 1/4" flat washer (from Camera Pole contents) and Lock-Nut onto the end of the bolt. Leave the Safety Cable eyelet off for now, and proceed to next steps.



2. Secure to Beam

Place the opening of the Beam Clamp over the edge of the beam. Tighten the square-head screw to 5 Foot/Lbs (7NM) using a Torque Wrench with a 12mm 12-Point Socket.

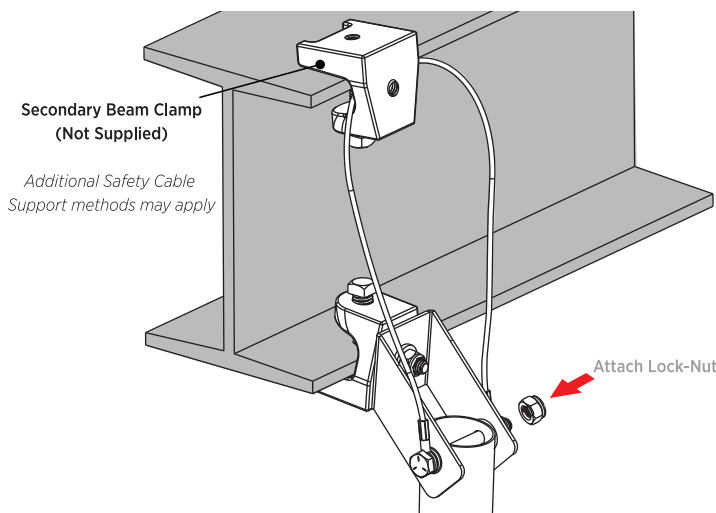
Applied Weight should not exceed the combined weight of the Camera Pole and the *Maximum Load of the Camera Pole



3. Attach Safety Cable

Carefully remove the Lock-Nut from the 1/4"-20 bolt. Loop the safety cable around a nearby secure building structure member, or secondary beam clamp (not supplied). Alternatively, a hole can be drilled through the beam for securing the safety cable.

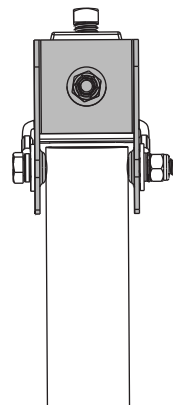
Place the eyelet from the safety cable back onto the 1/4"-20 bolt, and secure the removed Lock-Nut with two 7/16" wrenches. *NOTE:* Some Camera Pole models may use an Allen Head screw which would require tightening with a 3/16" Allen wrench and 7/16" wrench.



4. Note about Pole Size

This mount is intended to accommodate Camera Poles which have both Large (1-5/16"), and Small (1-1/8") top tube diameters. For larger top tubes, the bracket will fit snug with minimal bolt tightening. For smaller top tube diameters, it is necessary to over-tighten the Bolt/Lock-Nut until the bracket bends snug against the Camera Pole.

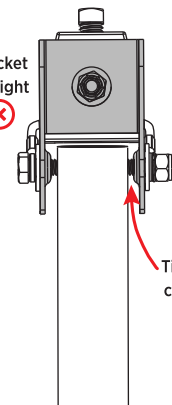
1-5/16" tube (Large)



Bracket Straight



1-1/8" tube (Small)



Bracket Bent



Tighten to close gap

Before Tightening

Tightened