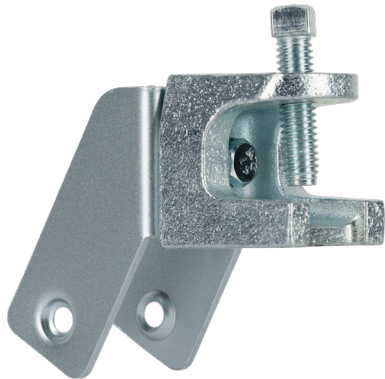


CE-CPBCM

Beam Clamp Mount for Telescoping Camera Poles



Maximum Load Capacity: 10 lbs / 4.53 kgs



KEY FEATURES:

- Mounts to ceiling support beams
- Bi-directional leveling mechanism
- Compatible with all Clinton telescoping camera poles
- Maximum weight not to exceed weight of camera pole + 10lbs

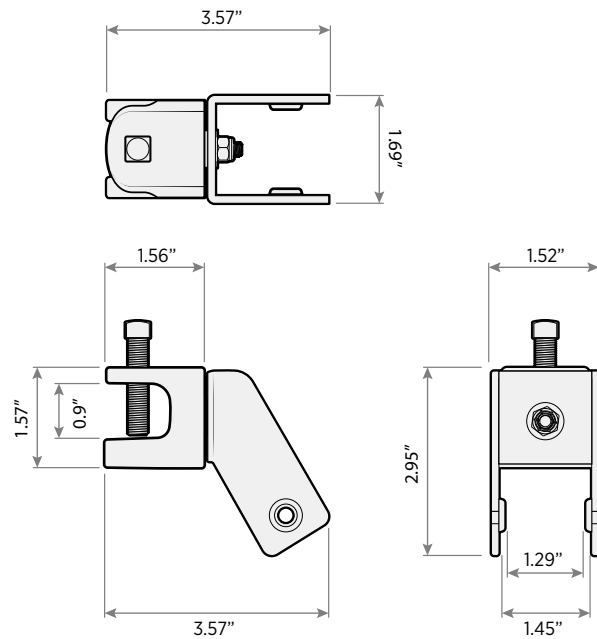
**Telescoping Camera Pole Shown Sold Separately*

GENERAL	
Materials	Steel
Dimensions (L x W x H) <i>*swivel mount only, bolt & camera pole not installed</i>	3.57" x 1.69" x 2.95" 90.67mm x 42.92mm x 74.93mm
Weight	0.85lbs / 0.385kg

CAMERA POLE COMPATIBILITY	
CE-CP3W	Adjustable from 1' 3" to 2' 7" - White
CE-CP3B	Adjustable from 1' 3" to 2' 7" - Black
CE-CP6W	Adjustable from 3' to 5' 9" - White
CE-CP6B	Adjustable from 3' to 5' 9" - Black
CE-CP12W	Adjustable from 6' 2" to 11' 9" - White
CE-CP12B	Adjustable from 6' 2" to 11' 9" - Black
CE-CP17W	Adjustable from 6' 2" to 17' - White
CE-CP17B	Adjustable from 6' 2" to 17' - Black



DIMENSIONS:



Unit : Inches