

CE-CPFM(B)

Universal Flexible Pendant Mount for Telescoping Camera Poles



Maximum Load Capacity: 10 lbs / 4.53 kgs



KEY FEATURES:

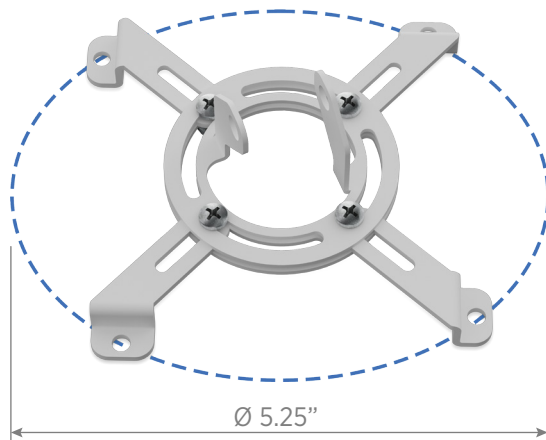
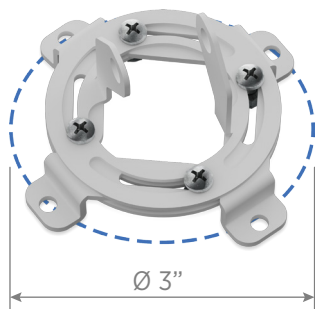
- Pendant mount any camera or other device with hole patterns ranging from 3" - 5.25" in diameter from a Telescoping Camera Pole
- Four adjustable arms rotate and move in/out to reach nearly any mounting hole
- Mounts to all Clinton Telescoping Camera Poles
- Tilts up to 90°

**Telescoping Camera Pole & Conduit Adapter Sold Separately*

GENERAL	
Materials	Steel
Dimensions (Dia x H)	2.82" - 5.74" x 1.78" 71.63mm - 145.8mm x 45.2mm
Weight	0.45 lbs / 0.204 kgs

■ CE-CPFM (white)

■ CE-CPFM-B (black)



DIMENSIONS:

