

CE-CM-LX-9 (White) / CE-CM-LX-9-B (Black)

9ft Telescoping Ceiling Mount LCD/PVM Pole



⚠ Maximum Load Capacity: 35 lbs / 15.875 kgs ⚠



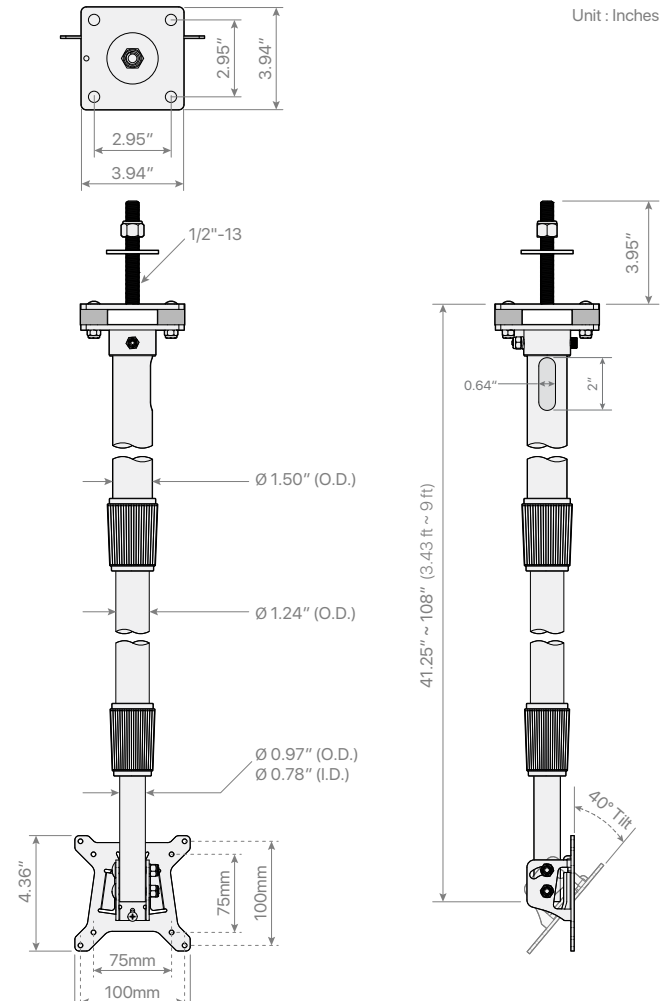
KEY FEATURES:

- Recommended to LCDs or PVMs up to 35 lbs
- Mounts to Steel Web Truss or Strut Channel with One Bolt
- Two-piece VESA mounting plate design for easy installation
- Adjustable from 3' 5.25" to 9' from Ceiling
- Adjustable Tilt (0°-40°) and Pan (360°)
- Route Cables Inside the Pole for a Clean Appearance
- Includes Safety Cable (15ft)
- Leveling Plate for Uneven Ceilings
- VESA 75 & 100 (M4)
- UL Listed

| CE-CM-LX-12 (White) / CE-CM-LX-12-B (Black) | |
|---|--|
| VESA Hole Patterns | 75x75, 100x100 (M4) |
| Pole Dimensions | Adjustable from 3' 5.25" to 9" |
| Pole Weight | 8.1 lbs / 3.67 kgs |
| Materials | Steel Pole / Steel Mounting Plate & VESA Plate |
| Max LCD/PVM Weight | 35 lbs / 15.875 kgs |

DIMENSIONS:

Unit : Inches



■ CE-CM-LX-9 (white) ■ CE-CM-LX-9-B (black)