

# CE-UAPXL Install Guide

## Included Items:

- VESA Adapter Plate x 1
- M4 x 12mm Screws x 4
- M4 Locknuts x 4
- M6 x 8mm Screws x 4
- M6 x 12mm Screws x 4
- M8 x 12mm Screws x 4

## Required Items:

- PH2 & PH3 Phillips Head Screwdriver
- 7mm Wrench

 **Maximum Load Capacity: 60 Lbs. / 27.2 Kgs.**



**ATTENTION!**

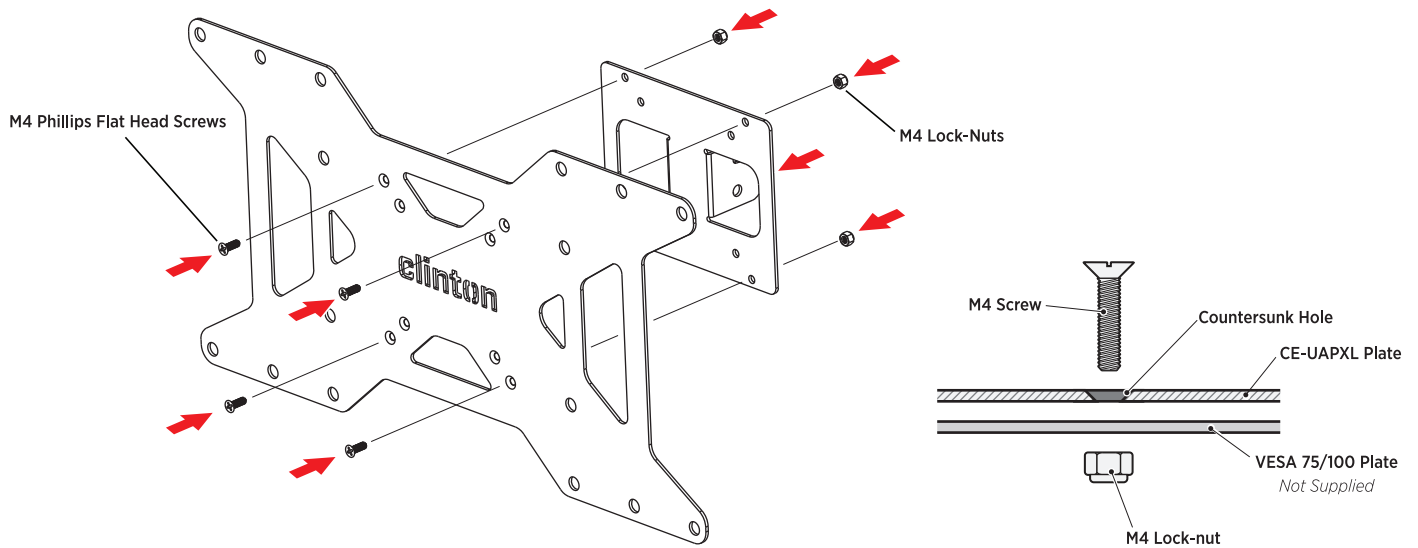
## USE ONLY AS DESIGNED

This adapter plate is designed to mount a large monitor (up to 60 lbs) to a Clinton Electronics Telescoping Monitor Pole. It is intended for use only with the maximum weight indicated. Use with products heavier than the maximum weights indicated may result in instability causing possible injury.

### 1. Attach VESA Plate

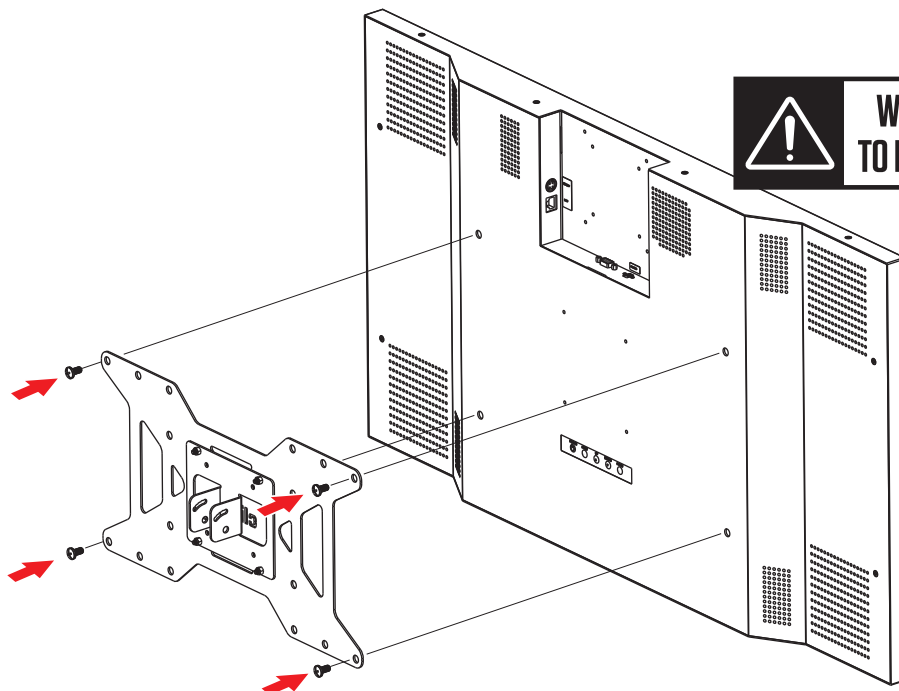
Using the supplied four M4 Phillips Flat head screws, and lock nuts, attach the VESA plate from the telescoping monitor pole to the CE-UAPXL adapter plate.

Note: The screws should be inserted into the countersunk holes on the adapter plate. If screws are not inserted in the countersunk holes, the adapter plate will not sit flat against the monitor, and damage to the back of the monitor may occur.



### 2. Attach Adapter Plate to Monitor

Select the appropriate VESA mounting hole pattern and attach the monitor to the adapter plate using the supplied M6 or M8 Phillips head screws. Refer to the Telescoping Monitor Pole instructions to complete the installation.



**WEIGHT OF MONITOR NOT TO EXCEED 60 LBS / 27.2 KGS**

**REFER TO TELESCOPING POLE INSTRUCTIONS TO COMPLETE INSTALLATION**