

CE-CPUJB(B) Install Guide

Included Items:

- Junction Box
- 3/8"-16 Carriage Bolt x1
- 3/8"-16 Lock Nut x1
- 2" Fender Washer x1
- 5mm Allen Wrench x1
- 3mm Allen Wrench x1
- 36" Safety Cable x1
- Instructions

Required Items:

- Camera Pole
- 3/4" Conduit & Fittings
- 9/16" Wrench
- Phillips Head Screwdriver

CAUTION!



USE ONLY AS DESIGNED. This product is designed to serve as a mounting apparatus between a camera pole mount and the ceiling structure (steel support truss or channel strut). It is not designed to mount to a wooden or drywall surface. Refer to the camera pole installation guide for details on installing the camera pole. It is intended for use only with the maximum weight indicated. Use with products heavier than the maximum weights indicated may result in instability causing possible injury.

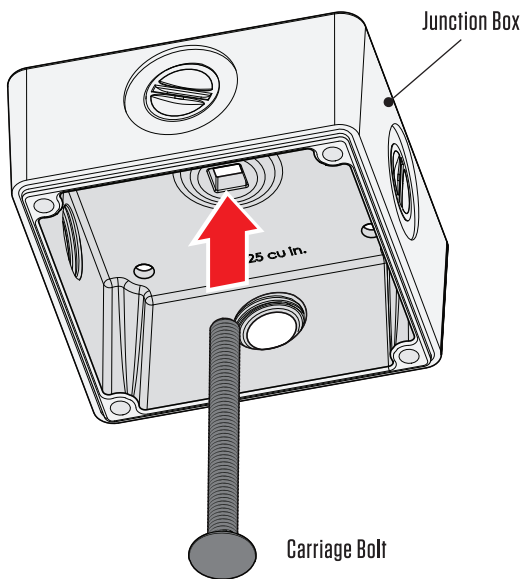


Maximum Load Capacity: 15 lbs / 6.8 kgs



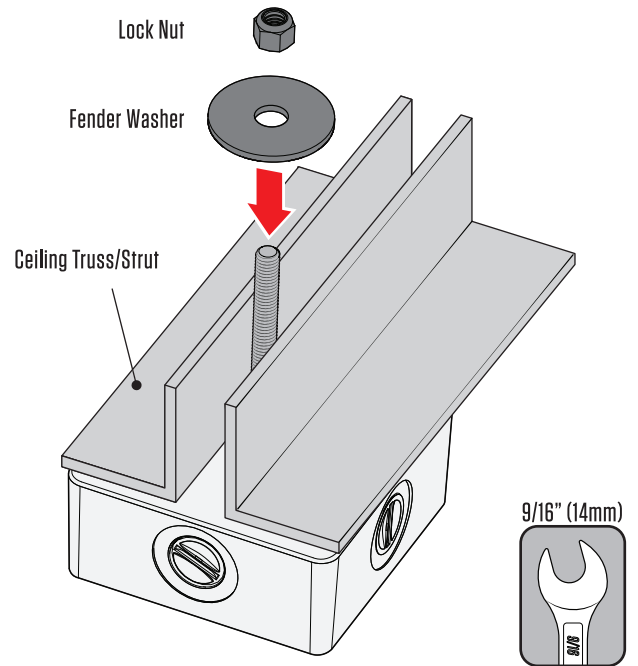
1. INSERT TOP BOLT

Insert the included carriage bolt into the square center hole of the CE-CPUJB junction box housing.



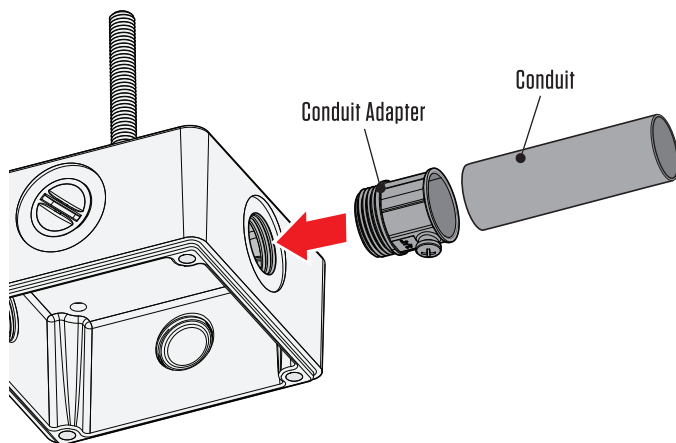
2. SECURE TO CEILING STRUCTURE

Guide the carriage bolt between the gap in the ceiling truss or channel strut. Place the fender washer and lock nut onto the bolt and tighten with a 9/16" wrench.



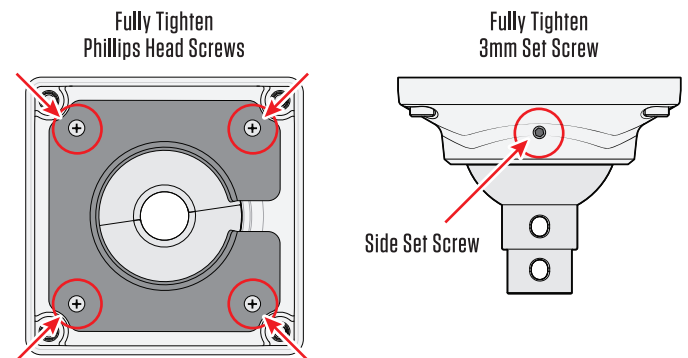
3. CONNECT CONDUIT

Choose the desired wire/conduit hole location(s), then connect conduit and conduit adapters/fittings (not included).



4. CHOOSE SWIVEL OPTION

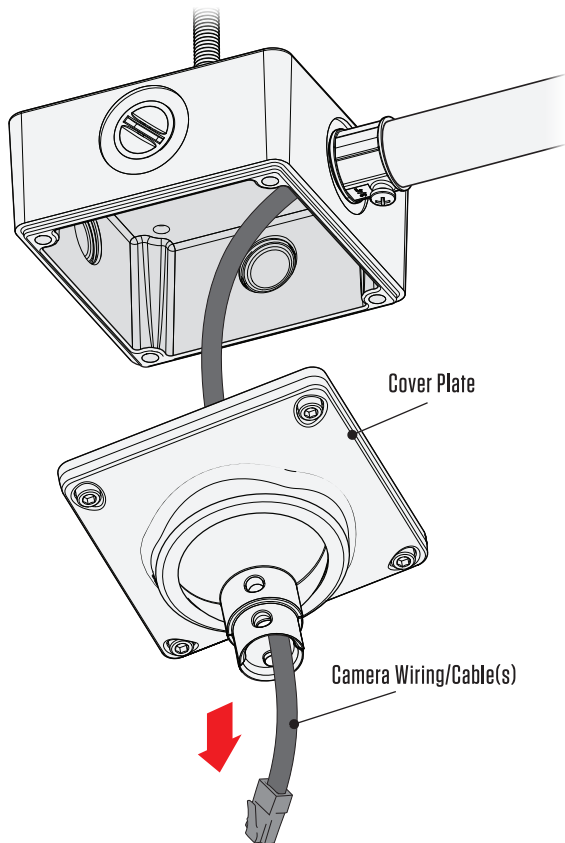
No Swivel: Fully tighten the four Phillips head screws to the retaining plate. Then fully tighten the external set screw with the included 3mm Allen wrench.



Swivel: Leave the four Phillips head screws only partially tightened, and do not tighten the external set screw— this will allow the swivel ball to move freely. The looser the screws, the more freely the swivel ball will move.

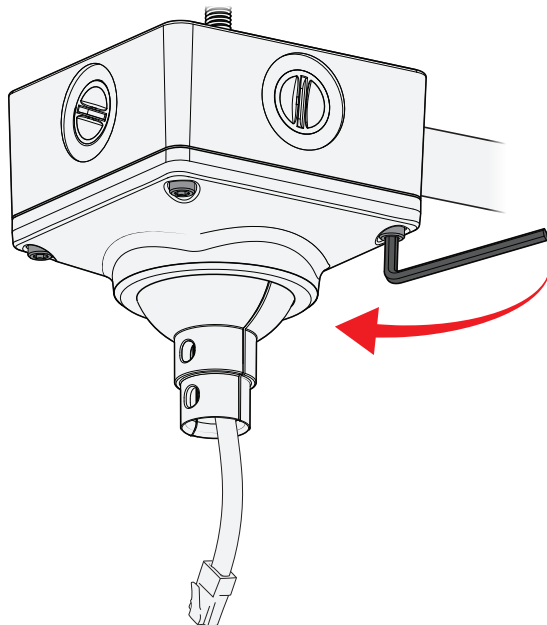
5a. ATTACH COVER PLATE

Feed wiring/cabling from conduit and junction box through the top of the ball and cover plate assembly.



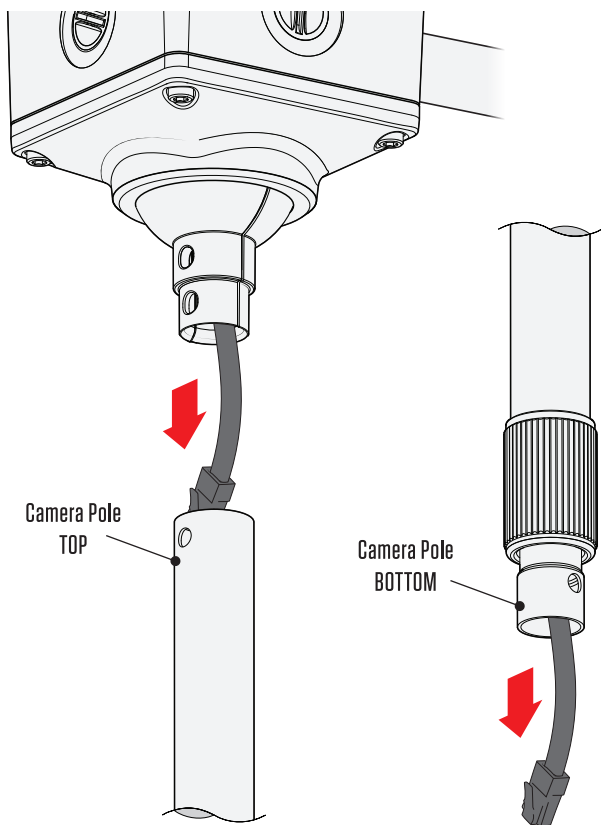
5b. ATTACH COVER PLATE

Place the cover plate assembly onto the junction box and securely tighten the 4 Allen-head screws with the included 5mm Allen wrench.



6a. CONNECT CAMERA POLE

Feed cabling through the top of the camera pole and out through the bottom of the camera pole. The top of the camera pole is the end with the larger diameter tubing, the bottom of the camera pole has the smaller diameter tubing with the flared end.



6b. CONNECT CAMERA POLE

Attach the camera pole and 36" safety cable to the swivel ball using the hardware from the camera pole. The stepped swivel ball receiver is compatible with all Clinton Telescoping Camera poles. Ensure the safety cable is looped around a secure section of the ceiling structure. Refer to the separate camera pole manual for final assembly of camera pole.

