

CE-ID30AR5C

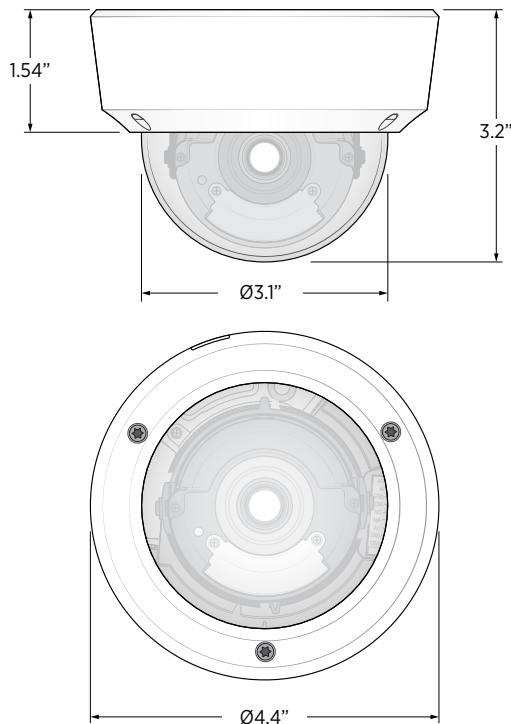
5MP Network Indoor IR Dome Camera



KEY FEATURES:

- 1/2.8" SONY Starvis 5.14MP CMOS Sensor
- 5MP (2592x1944) Resolution, Up to 30fps
- 2.8mm f1.6 Fixed True D/N Lens
- 4 IR LEDs
- h.265, h.264, MJPEG, 3 Streams
- Corridor Mode Support
- Micro SD Card
- Alarm In/Out, Audio In/Out
- Smart Motion Detection: Person, Vehicle or Bike
- AI Analytics: Area Intrusion, Area Enter/Exit, Line Crossing, Loitering
- PoE or DC12V
- ONVIF Conformant: Profile S
- NDAA & TAA Compliant

DIMENSIONS:



CAMERA	
Image Sensor	1/2.8" SONY Starvis 5.14Megapixel CMOS Image Sensor
Lens	2.8mm (f1.6) Lens
Field of View	91.9° (Horizontal) / 73.3° (Vertical)
Minimum Illumination	0.1 Lux (Color) / 0.02 Lux (B&W)
Shutter Speed	1/4 - 1/10,000 sec.
IR LEDs	4

VIDEO	
Video Compression	H.264 or H.265 (Main/Baseline/High), and MJPEG
Streaming	3 individually configurable streams
Resolution	Main Stream: 2592x1944 (5MP, 4:3) - 640x360 Second Stream: 1280x720 - 640x360 Third Stream: 640x480 - 640x360
Frame Rate	1-30 fps
Bitrate Control	CBR, VBR, or VBR+ 1st Stream: 512-15,000 kbps 2nd & 3rd Stream: 512-8,000 kbps

NETWORK	
Network Speed	10/100Mbps
Supported Protocols	IPv4, IPv6, IGMP, ICMP, ARP, TCP, UDP, DHCP, RTP, RTSP, RTCP, DNS, DDNS, NTP, SMTP, FTP, UPnP, HTTP
Stream Method	Unicast / Multicast (up to 10 connections)
Compatibility	ONVIF Profile S
Web Viewer	Google Chrome, Edge, Safari, Firefox

AUDIO	
Audio Compression	G.711 u-law 8KHz
Audio Streaming	Two-way

SYSTEM	
Analytics	Motion Detection, Area Intrusion, Line Crossing, Object Detection: Person/Vehicle/Bike
Alarm Triggers	Motion Detection, AI Analytics, Alarm Input, Tamper Detection, Network Disconnect
Alarm Actions	SD Card Recording, Email, FTP, Alarm Out

GENERAL	
System	Novatek SoC / 4Gb RAM, 2Gb Flash
Edge Storage	MicroSD Card (up to 256GB) *card not included
Alarm I/O	1 / 1
Audio I/O	1 / 1
Power Requirement	PoE (IEEE 802.3af) or DC12V
Power Consumption (Max= bootup & IR On ±10%)	PoE: Max. 5.9W DC12V: Max. 500mA
Operating Temperature	32°F -113°F / 0°C - 45°C
Operating Humidity	90% RH Max.
Weather Rating	n/a - Indoor Use Only
Materials	Polycarbonate
Dimensions	4.40" (Dia.) x 3.2" (H) / 111.76mm (Dia.) x 81.28mm(H)
Weight	0.60 lbs / 0.27 kgs

COMPLIANCE:

