

# CE-IDPC(B) Install Guide

## Included Items:

- CE-IDPC(B) Pendant Cap
- 3/4" Phillips Flat Head Mounting Screws
- NPT to Camera Pole Adapter
- 1/4-20 Bolt & Lock Nut for Adapter mounting

## Required Items:

- Two 7/16" Wrenches
- Drill Driver with Phillips Bit or Phillips Screwdriver
- T10 Security Torx Screwdriver

**! Maximum Load Capacity: 10 lbs / 4.5 kgs !**



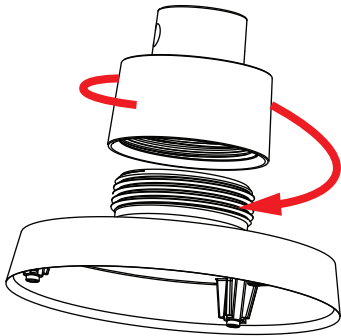
**CAUTION!**

## USE ONLY AS DESIGNED

THIS PRODUCT IS DESIGNED TO SERVE AS A MOUNTING APPARATUS BETWEEN A CAMERA POLE MOUNT OR 1-1/2" PIPE AND A CLINTON ELECTRONICS' ID-SERIES CAMERA. REFER TO THE CAMERA POLE INSTALLATION GUIDE FOR DETAILS ON INSTALLING THE CAMERA POLE. IT IS INTENDED FOR USE ONLY WITH THE MAXIMUM WEIGHT INDICATED. USE WITH PRODUCTS HEAVIER THAN THE MAXIMUM WEIGHTS INDICATED MAY RESULT IN INSTABILITY CAUSING POSSIBLE INJURY.

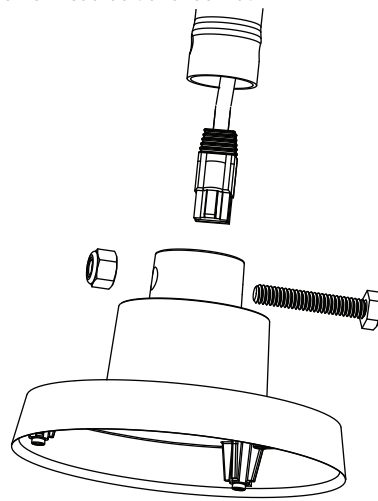
### 1. PRE-ASSEMBLE

If mounting to a camera pole mount, thread the adapter piece onto the pendant cap by turning clockwise. Skip this step if threading onto a 1-1/2" female NPT pipe fitting.



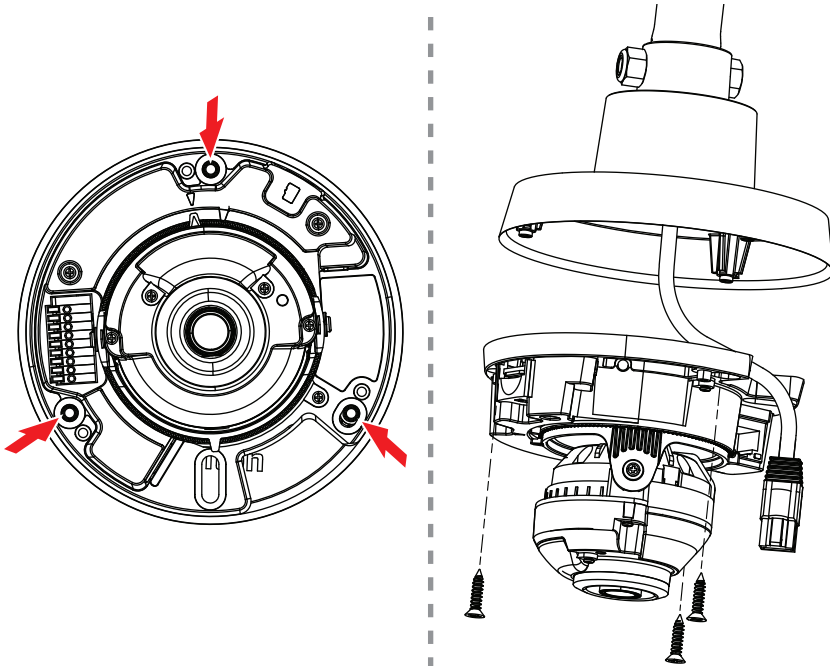
### 2. CONNECT TO POLE

Run any necessary cables through the camera pole and into the pendant cap assembly. Secure the assembly to the camera pole using two 7/16" wrenches, and the included 1/4-20 hex head bolt and locknut.



### 3. ATTACH CAMERA

Route cables around the side notch in the ID-Series camera. Align the three screw posts inside the pendant cap to the three equally spaced holes on the camera base. Secure using the supplied Phillips head screws.



### 4. ATTACH DOME COVER

Make necessary cable connections to the camera, and re-attach the cover onto the camera using a T10 Security Torx Screwdriver.

