

CE-CPUPM(B)

Universal Pendant Mount Plate, 5" Dia



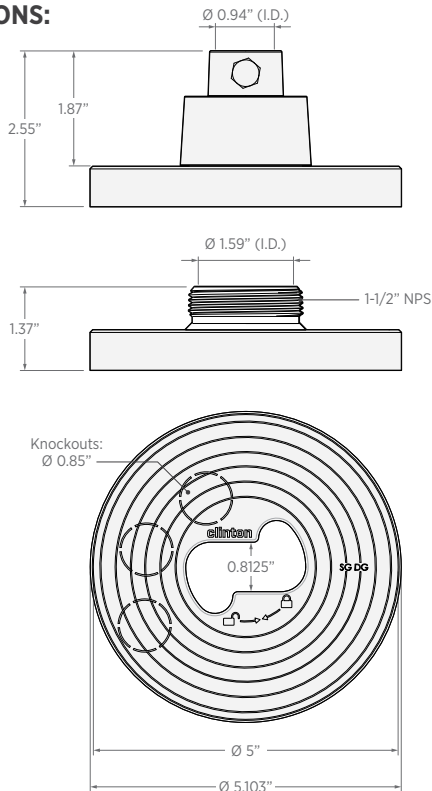
■ CE-CPUPM-6 (white) ■ CE-CPUPMB-6 (black)

KEY FEATURES:

- Quick installation with self-drilling screws
- Works with domes, turrets, sensors, access points, and more
- Supports mounting hole patterns up to 4-3/4" in diameter
- Mounts to Clinton CP Series Telescoping Poles* or standard 1-1/2" NPS female pipe fittings
- Cable routing through center hole or side knockouts for offset cable exits
- Includes multiple sizes of self drilling screws
- Includes 3/4" EMT to 1-1/2" NPS female adapter and mounting hardware
- Made from rugged, lightweight ABS & polycarbonate

*Telescoping Camera Pole Sold Separately

DIMENSIONS:



GENERAL	
Materials	Polycarbonate & ABS
Dimensions (Dia. x H) *using 1-1/2" addapter	5.103" x 2.55" / 129.62mm x 64.77mm
Weight	0.2 lbs / 0.09 kgs

ASSEMBLY:

